

PRODUCT INFORMATION PACKET



Model No: 121569.00
Catalog No: 121569.00
1 HP Agricultural Motor, 1 phase, 1800 RPM, 115/208-230 V, 143T Frame, TEFC
Agricultural Motors



Regal and Leeson are trademarks of Regal Rexnord Corporation or one of its affiliated companies.
©2021 Regal Rexnord Corporation, All Rights Reserved. MC017097E





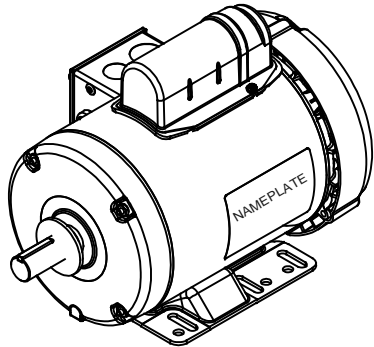
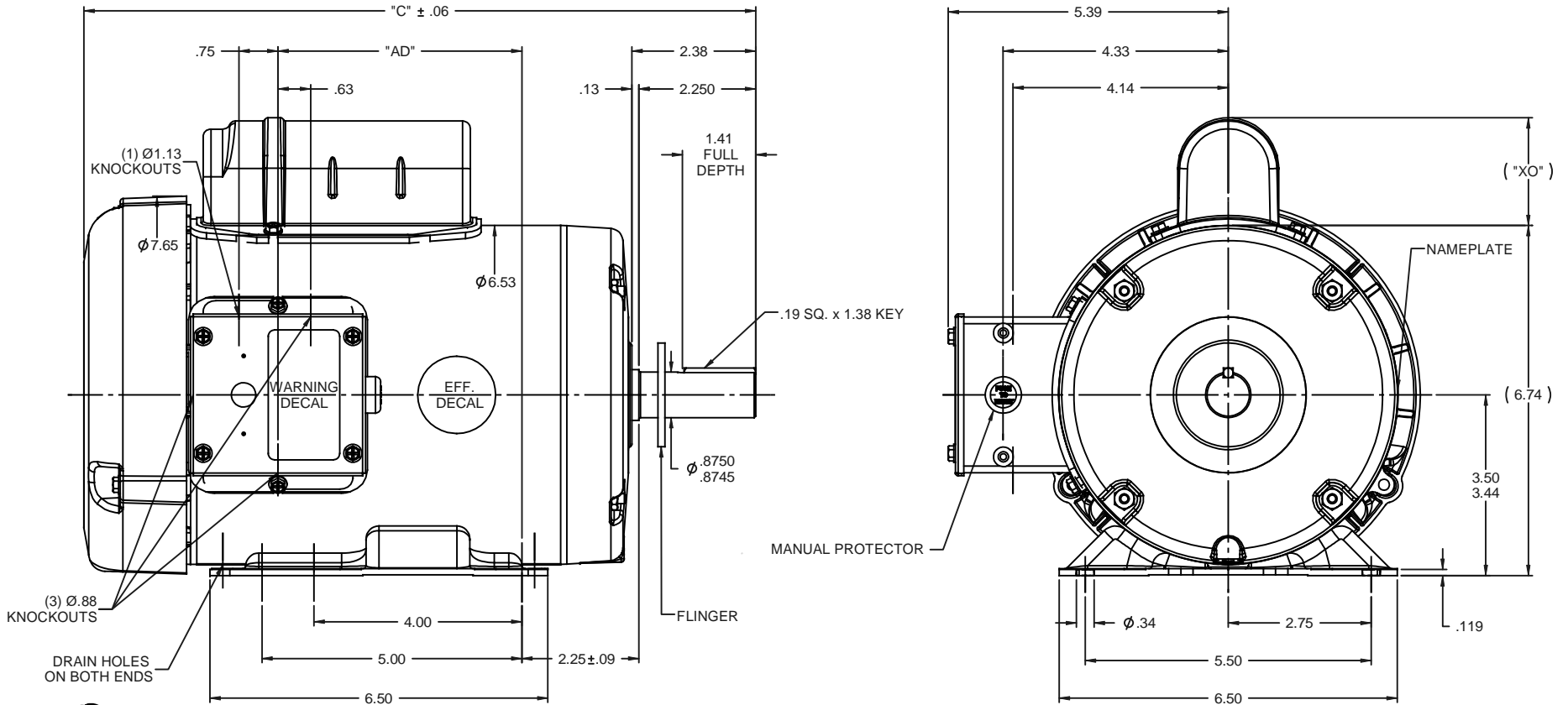
Nameplate Specifications

Output HP	1 Hp	Output KW	0.75 kW
Frequency	60 Hz	Voltage	115/208-230 V
Current	14.0/7.1-7.0 A	Speed	1725 rpm
Service Factor	1.15	Phase	1
Efficiency	70.4 %	Power Factor	63
Duty	Continuous	Insulation Class	B
Design Code	N	KVA Code	K
Frame	143T	Enclosure	Totally Enclosed Fan Cooled
Thermal Protection	Manual	Ambient Temperature	40 °C
Drive End Bearing Size	6205	Opp Drive End Bearing Size	6203
UL	Recognized	CSA	Y
CE	N	IP Code	43
Number of Speeds	1		

Technical Specifications

Electrical Type	Capacitor Start Induction Run	Starting Method	Across The Line
Poles	4	Rotation	Selective Counterclockwise
Resistance Main	1.8 Ohms	Mounting	Rigid Base
Motor Orientation	Horizontal	Drive End Bearing	Ball
Opp Drive End Bearing	Ball	Frame Material	Rolled Steel
Shaft Type	T	Overall Length	12.93 in
Frame Length	7.00 in	Shaft Diameter	0.875 in
Shaft Extension	2.25 in	Assembly/Box Mounting	F1 ONLY
Connection Drawing	005003.03	Outline Drawing	028915-700B

This is an uncontrolled document once printed or downloaded and is subject to change without notice. Date Created:10/07/2021



DASH NO.	"C"	"AD"	CAP. DASH	"XO"
700	12.93	4.69	A	1.61
750	13.43	5.19	B	2.08
800	13.93	5.69	C	2.32
850	14.43	6.19		

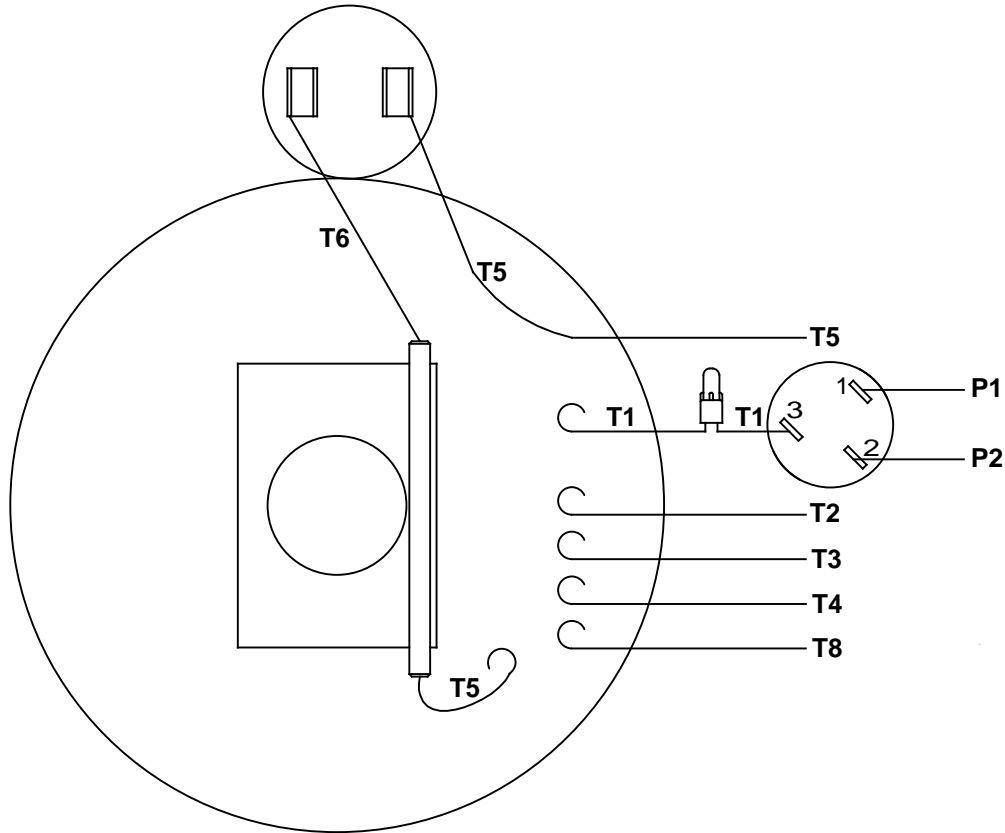
SPECIAL FEATURES:
 1) GASKETS THROUGHOUT
 2) FLINGER ON SHAFT
 3) MANUAL OVERLOAD PROTECTOR

REVISION		BY & DATE	CHK	ANG	±1/2"	FINISH	NO	REV
THIRD ANGLE PROJECTION			RFP	12/12/08	PREV			
			TOLERANCES UNLESS SPECIFIED:		DEC INCHES		DRAWN GRB 12/12/08	
			x	±.1	TITLE OUTLINE - 140T FRAME		CHK DJ 12/12/08	
			.xx	±.03	TEFC - RIGID		APPR DJ 12/12/08	
			.xxx	±.005	MATL FARM DUTY		SCALE 1:2	
			.xxxX	±.0005			REF 034990	
							FMF 121569.00	
							PAGE 1 OF 1	
							DRAWING NO	
							B 028915	
							REV	

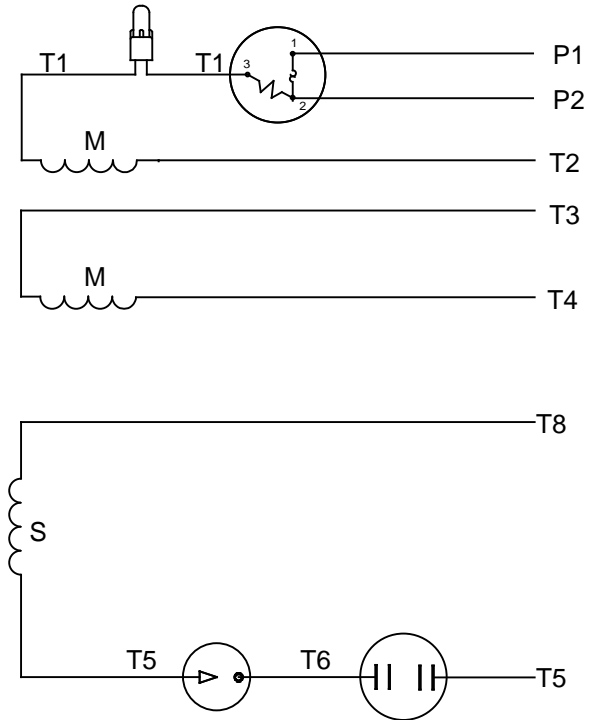


**ELECTRIC MOTORS
GEARMOTORS
AND DRIVES**

VIEW FROM OUTSIDE OF MOTOR AT SWITCH END



LINE LEADS



RBC PROPRIETARY AND CONFIDENTIAL INFORMATION
 This document is the property of REGAL BELOIT CORPORATION ("RBC") including its subsidiaries and divisions and contains proprietary information of RBC. This document is loaned on the express condition that neither it nor the information contained therein shall be disclosed to others without the express written consent of RBC, and that the information shall be used by the recipient only as approved expressly by RBC. This document shall be returned to RBC upon its request. This document may be subject to certain restrictions under U.S. export control laws and regulations.

	ROTATION FACING LEAD END	L1	L2	JOIN	INSULATE SEPARATELY
HIGH VOLT	C.C.W.	P1	T4 T5	T2,T3 T8	P2
	C.W.	P1	T4 T8	T2,T3 T5	P2
LOW VOLT	C.C.W.	P1	T2,T4 T5	P2,T3 T8	---
	C.W.	P1	T2,T4 T8	P2,T3 T5	---

		TOLERANCES UNLESS SPECIFIED		LEESON	ELECTRIC MOTORS GEARMOTORS AND DRIVES	DRAWN WLV 08/20/79	
		DEC	INCHES			CHK	ADN 08/27/76
		.X	±.1			APPR	WRK 08/27/76
		.XX	±.01	TITLE EXTERNAL WIRING DIAGRAM TYPE "C" W/PROTECTOR		SCALE 1:1	
06	REDRAWN IN SOLIDWORKS	VJB	7/22/2011	.XXX	±.005	REF	
05	REDRAWN ON CAD	DBT	05/27/97	.XXXX	±.0005	FMF	
NO	REVISION	BY & DATE	CHK	ANG	±1/2°	FINISH	PAGE OF
THIRD ANGLE PROJECTION				RFP	PREV	SIZE	DRAWING NO
				NETWORK FILE NAME 00500303		A	005003-03
							REV
							06



CERTIFICATION DATA SHEET

**1051 CHEYENNE AVE.
GRAFTON, WI 53024
PH. 262-377-8810**

CONN. DIAGRAM: 005003.03

CATALOG #: 121569.00

OUTLINE: 028915-700B

MOUNTING: F1 ONLY

WINDING #: C634259 FR 3 A

TYPICAL MOTOR PERFORMANCE DATA

HP	kW	SYNC. RPM	F.L. RPM	FRAME	ENCLOSURE	KVA CODE	DESIGN
1	0.75	1800	1725	143T	TEFC	K	N

PH	Hz	VOLTS	AMPS	START TYPE	DUTY	INSL	S.F.	AMB°C
1	60	115/208-230	14/7.1-7	ACROSS THE LINE	CONTINUOUS	B4	1.15	40

FULL LOAD EFF:	74	3/4 LOAD EFF:	67.8	1/2 LOAD EFF:	61.6	GTD. EFF		ELEC. TYPE	
FULL LOAD PF:	63	3/4 LOAD PF:	57.8	1/2 LOAD PF:	46.9	70	CAP START IND RUN		

F.L. TORQUE	LOCKED ROTOR AMPS	L.R. TORQUE	B.D. TORQUE	F.L. RISE°C
48.16 OZ-FT	74.6 / 37.3	141.8 OZ-FT 294 %	132.6 OZ-FT 275 %	88.6

SOUND PRESSURE @ 3 FT.	SOUND POWER	ROTOR WK^2	MAX. WK^2	SAFE STALL TIME	STARTS / HOUR	APPROX. MOTOR WGT
0 dBA	10 dBA	0.099 LB-FT^2	0 LB-FT^2	10 SEC.	0	33 LBS.

***** SUPPLEMENTAL INFORMATION *****

DE BRACKET TYPE	ODE BRACKET TYPE	MOUNT TYPE	ORIENTATION	SEVERE DUTY	HAZARDOUS LOCATION	DRIP COVER	SCREENS	PAINT
STANDARD	STANDARD	RIGID	HORIZONTAL	FALSE	NONE	FALSE	NONE	RED - LEESON FARM DUTY

BEARINGS		GREASE	SHAFT TYPE	SPECIAL DE	SPECIAL ODE	SHAFT MATERIAL	FRAME MATERIAL
DE	ODE						
BALL	BALL	POLYREX EM	T	NONE	NONE	1144 STRESSPROOF (C-223)	ROLLED STEEL
6205	6203						

THERMO-PROTECTORS				THERMISTORS	CONTROL	SPACE HEATERS
THERMOSTATS	PROTECTORS	WDG RTDs	BRG RTDs			
NONE	MANUAL	NONE	NONE	NONE	FALSE	NONE VOLTS

*
N
O
T
E
S

INVERTER TORQUE: NONE
INV. HP SPEED RANGE: NONE
ENCODER: NONE
NONE NONE
NONE NONE PPR
BRAKE: NONE NONE
NONE P/N NONE
NONE NONE
NONE FT-LB NONE V NONE Hz



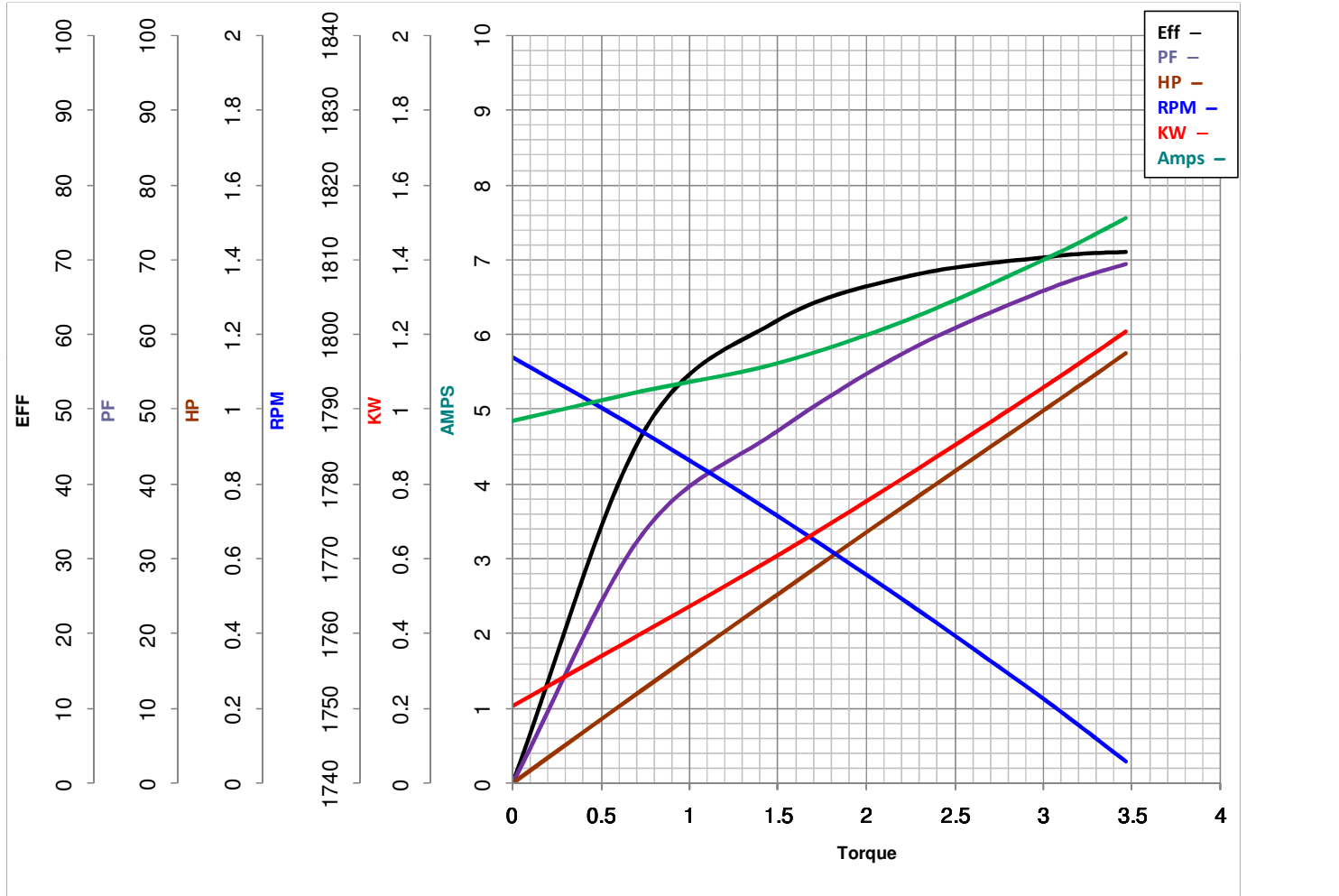
LEESON ELECTRIC CORPORATION
 TYPICAL PERFORMANCE CURVE for AC MOTOR

Model No 121569.00

Curve at 230 Volts HP 1.00 PHASE 1
60 HZ
1 HP VOLTS 115/208-230

Catalog No 121569.00

HZ 60 RPM 1725



Torque in Lb.Ft

FL TORQUE 3.01 Lb.Ft
 BD TORQUE 8.3 Lb.Ft
 LR TORQUE 8.863 Lb.Ft

FL AMPS 14/7.1-7
 PU TORQUE 7.4 Lb.Ft
 LR AMPS 37.3

WINDING C634259-3

Date 4/12/2018