

PRODUCT INFORMATION PACKET

Model No: 100701.00

Catalog No: 100701.00

0.50 HP Agricultural Motor, 1 phase, 1800 RPM, 115/230 V, 48Y Frame, TEAO



Regal and are trademarks of Regal Rexnord Corporation or one of its affiliated companies.
©2022 Regal Rexnord Corporation, All Rights Reserved. MC017097E

Nameplate Specifications

Output HP	0.50 Hp	Output KW	0.37 kW
Frequency	60 Hz	Voltage	115/230 V
Current	5.0/2.5 A	Speed	1625 rpm
Service Factor	1	Phase	1
Efficiency	73 %	Power Factor	87
Duty	Continuous	Insulation Class	B
Design Code	N	KVA Code	F
Frame	48Y	Enclosure	Totally Enclosed Air Over
Thermal Protection	Automatic	Ambient Temperature	40 °C
Drive End Bearing Size	6203	Opp Drive End Bearing Size	6203
UL	Recognized	CSA	Y
CE	N	IP Code	43
Number of Speeds	1		

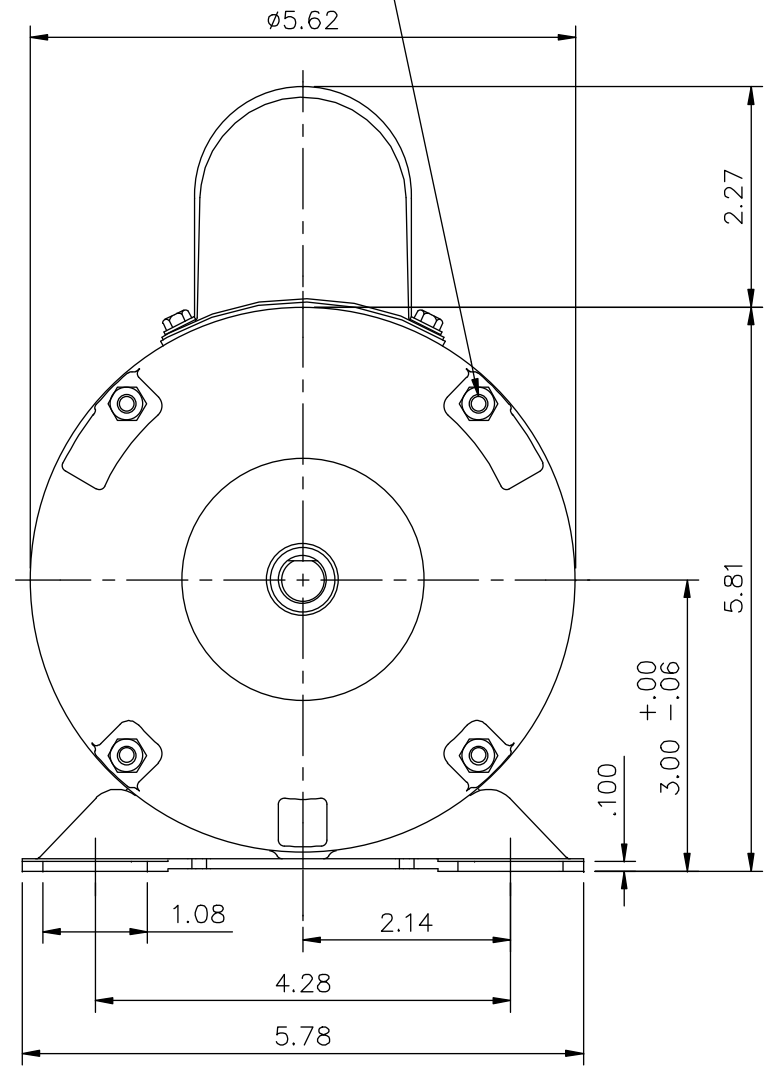
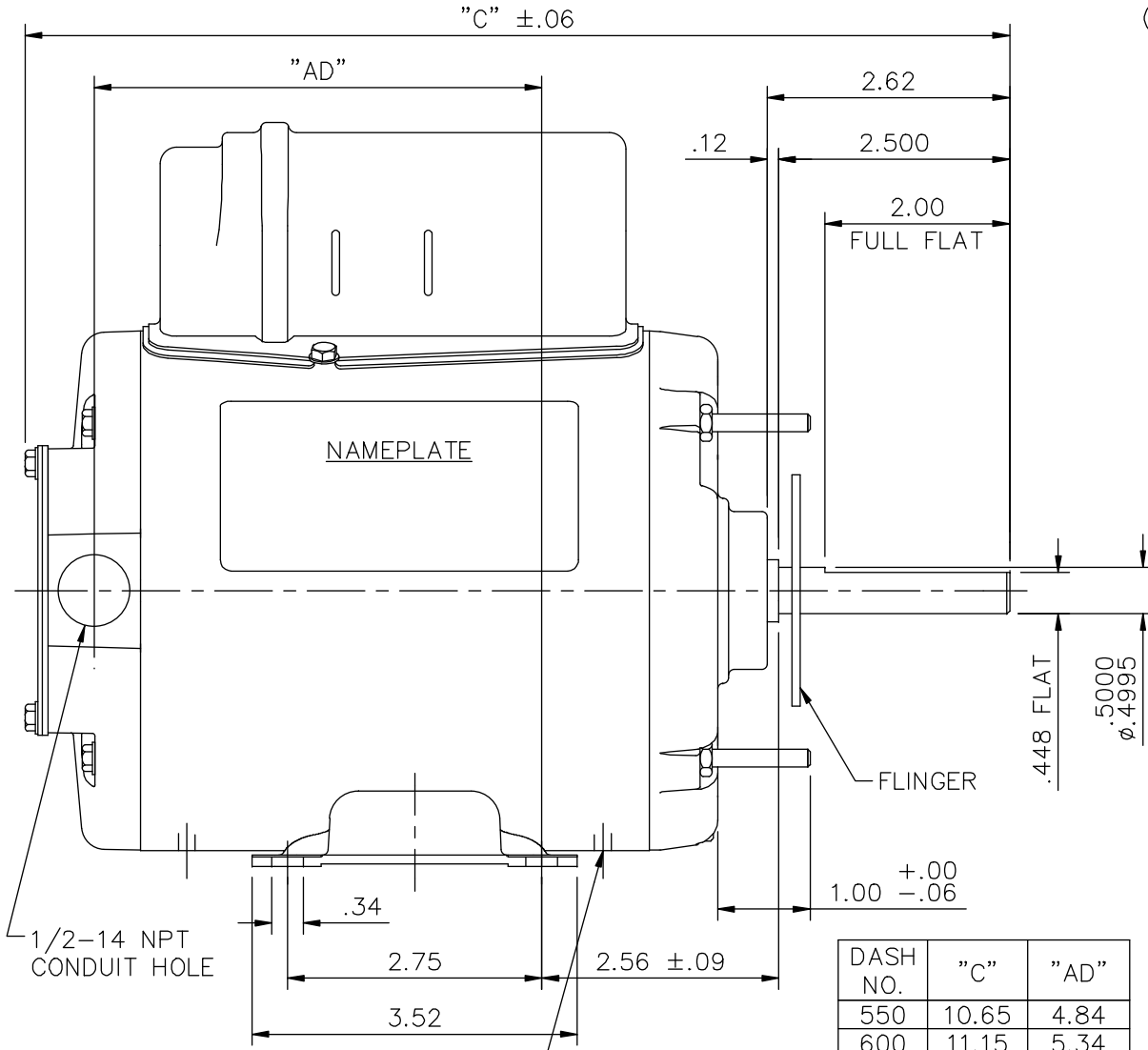
Technical Specifications

Electrical Type	Permanent Split Capacitor	Starting Method	Across The Line
Poles	4	Rotation	Selective Counterclockwise
Resistance Main	1.2 Ohms	Mounting	Rigid Base
Motor Orientation	Horizontal	Drive End Bearing	Ball
Opp Drive End Bearing	Ball	Frame Material	Rolled Steel
Shaft Type	Single Special Extension	Overall Length	12.15 in
Frame Length	7.00 in	Shaft Diameter	0.500 in
Shaft Extension	2.5 in	Assembly/Box Mounting	F1 ONLY
Outline Drawing	031707-700	Connection Drawing	A-005109-01

This is an uncontrolled document once printed or downloaded and is subject to change without notice. Date Created:06/08/2022

031707


10-32 UNF 2A THRU BOLTS
(4) REQ'D. ON A Ø5.125 B.C.



(2) PLUGGED DRAIN HOLES

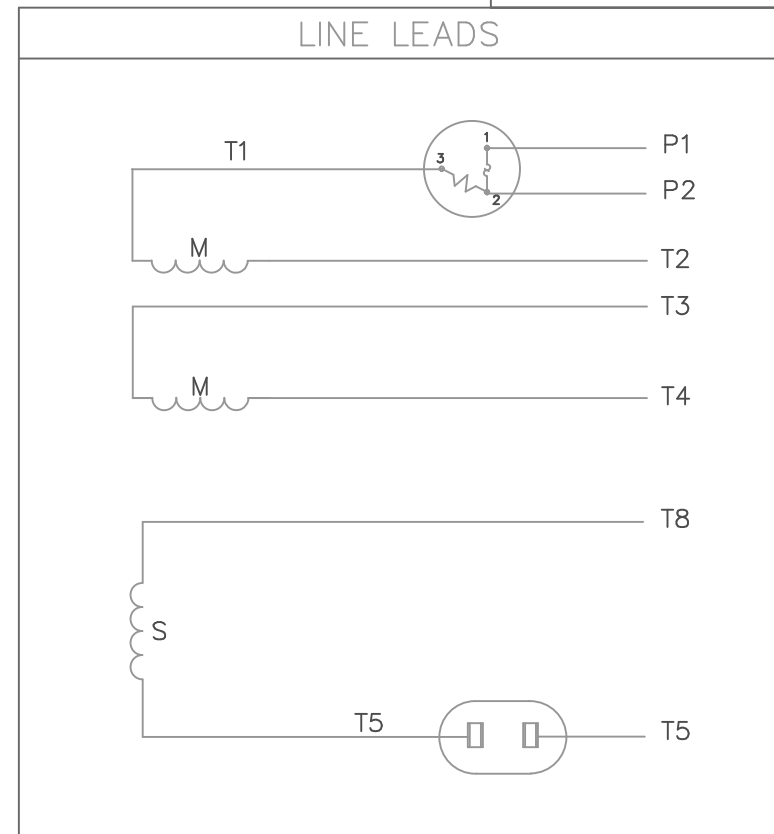
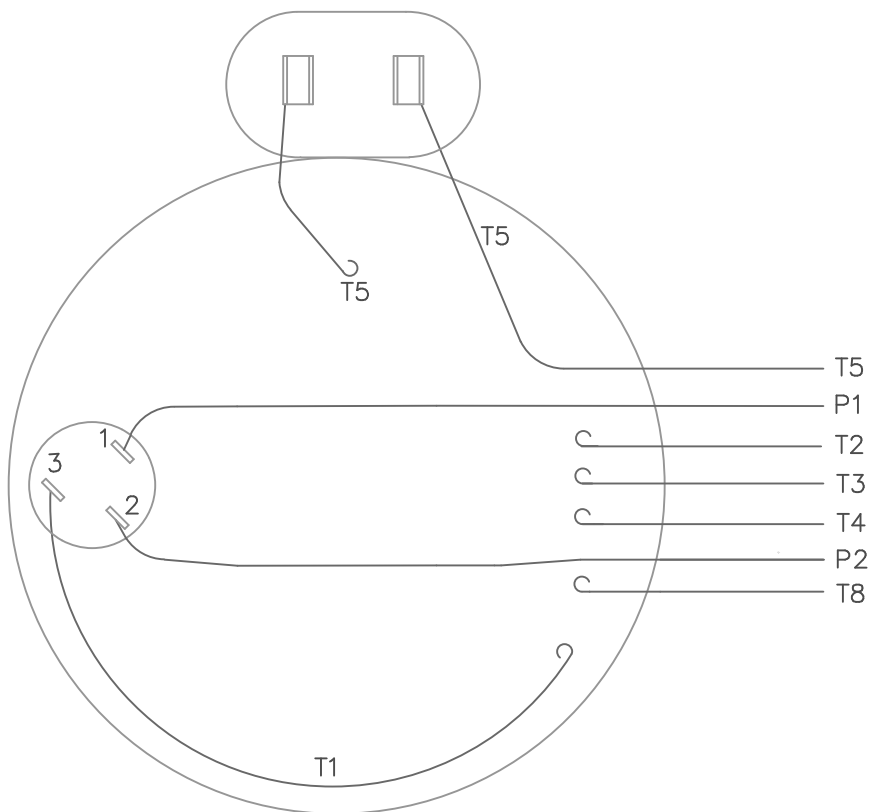
DASH NO.	"C"	"AD"
550	10.65	4.84
600	11.15	5.34
625	11.40	5.59
650	11.65	5.84
700	12.15	6.34

GASKETS THROUGHOUT

				TOLERANCES UNLESS SPECIFIED		 ELECTRIC MOTORS GEARMOTORS AND DRIVES		DRAWN PG 7/24/02	
				DEC.	INCHES			CHK	
				.X	±.1			APPD	
				.XX	±.03			SCALE 1=2	
				.XXX	±.005			REF 030986	
				.XXXX	±.0005	MAT'L.		FMF 100700.00	
NO.	REVISION	BY & DATE	CHK	ANG	±1/2'	FINISH	PREV		
				RFP		CAD FILE	031707	SIZE	DRAWING NO.
				DIST				A	031707
								REV.	

THIS DRAWING IN DESIGN AND DETAIL IS OUR PROPERTY AND MUST NOT BE USED EXCEPT IN CONNECTION WITH OUR WORK ALL RIGHTS OF DESIGN AND INVENTION ARE RESERVED THIS IS AN ELECTRONICALLY GENERATED DOCUMENT - DO NOT SCALE THIS PRINT

VIEW FROM OUTSIDE OF MOTOR AT SWITCH END.



	ROTATION FACING LEAD END	L1	L2	JOIN	INSULATE SEPARATELY
HIGH VOLT	C.C.W.	P1	T4 T5	T2, T3 T8	P2
	C.W.	P1	T4 T8	T2, T3 T5	P2
LOW VOLT	C.C.W.	P1	T2, T4 T5	P2, T3 T8	--
	C.W.	P1	T2, T4 T8	P2, T3 T5	--

				TOLERANCES UNLESS OTHERWISE SPECIFIED		
				DEC.	INCHES	METRIC
				.X	±	±
				.XX	±	±
08	REDRAWN ON CAD	DBT 05/28/97		.XXX	±	±
NO.	REVISION	BY & DATE	CH'K'D.	.XXXX	±	±
THIS DRAWING IN DESIGN AND DETAIL IS OUR PROPERTY AND MUST NOT BE USED EXCEPT IN CONNECTION WITH OUR WORK ALL RIGHTS OF DESIGN AND INVENTION ARE RESERVED THIS IS AN ELECTRONICALLY GENERATED DOCUMENT - DO NOT SCALE THIS PRINT				FRACTIONS	±	
				ANGLES	±	

LEESON ELECTRIC CORPORATION

DRAWN JRW 10/01/75	TITLE	EXTERNAL WIRING DIAGRAM	
APPR. JBM 10/02/75	TYPE "P" W/PROTECTOR		
R.F.P.	MAT'L.	DECAL - 004011	BRF
SCALE 1=1	FINISH	REV. 08	DRAWING NO. 005109-01
REF. 005003			
FMF W-P5567			



1051 CHEYENNE AVE.
GRAFTON, WI 53024
PH. 262-377-8810

CERTIFICATION DATA SHEET

CONN. DIAGRAM: A-005109-01
OUTLINE: 031707-700
WINDING #: PE484466 NR 5 A

CATALOG #: 100701.00
MOUNTING: F1 ONLY

TYPICAL MOTOR PERFORMANCE DATA

HP	kW	SYNC. RPM	F.L. RPM	FRAME	ENCLOSURE	KVA CODE	DESIGN
1/2	0.37	1800	1625	48Y	TEAO	F	N

PH	Hz	VOLTS	AMPS	START TYPE	DUTY	INSL	S.F.	AMB°C
1	60	115/230	5/2.5	ACROSS THE LINE	CONTINUOUS	B3	1.0	40

FULL LOAD EFF:	73	3/4 LOAD EFF:	70	1/2 LOAD EFF:	62.3	GTD. EFF	ELEC. TYPE
FULL LOAD PF:	87	3/4 LOAD PF:	81.9	1/2 LOAD PF:	74.3	67	PSC 1 SPEED

F.L. TORQUE	LOCKED ROTOR AMPS	L.R. TORQUE	B.D. TORQUE	F.L. RISE°C
24.64 OZ-FT	22.1 / 11.1	18.85 OZ-FT 78.8 %	55.9 OZ-FT 233 %	-

SOUND PRESSURE @ 3 FT.	SOUND POWER	ROTOR WK^2	MAX. WK^2	SAFE STALL TIME	STARTS / HOUR	APPROX. MOTOR WGT
- dBA	- dBA	-1 LB-FT^2	- LB-FT^2	10 SEC.	-	24 LBS.

***** SUPPLEMENTAL INFORMATION *****

DE BRACKET TYPE	ODE BRACKET TYPE	MOUNT TYPE	ORIENTATION	SEVERE DUTY	HAZARDOUS LOCATION	DRIP COVER	SCREENS	PAINT
STANDARD	STANDARD	RIGID	HORIZONTAL	FALSE	NONE	FALSE	NONE	GRAY - LEESON (POWDER)

BEARINGS		GREASE	SHAFT TYPE	SPECIAL DE	SPECIAL ODE	SHAFT MATERIAL	FRAME MATERIAL
DE	ODE						
BALL	BALL	POLYREX EM	SGL SPL EXT	SPECIAL	NONE	1144 STRESSPROOF (C-223)	ROLLED STEEL
6203	6203						

THERMO-PROTECTORS				THERMISTORS	CONTROL	SPACE HEATERS
THERMOSTATS	PROTECTORS	WDG RTDs	BRG RTDs			
NONE	AUTOMATIC	NONE	NONE	NONE	FALSE	NONE VOLTS

*
N
O
T
E
S
*

INVERTER TORQUE: NONE
INV. HP SPEED RANGE: NONE
ENCODER: NONE NONE NONE NONE NONE PPR
BRAKE: NONE NONE NONE P/N NONE NONE NONE NONE FT-LB NONE V NONE Hz

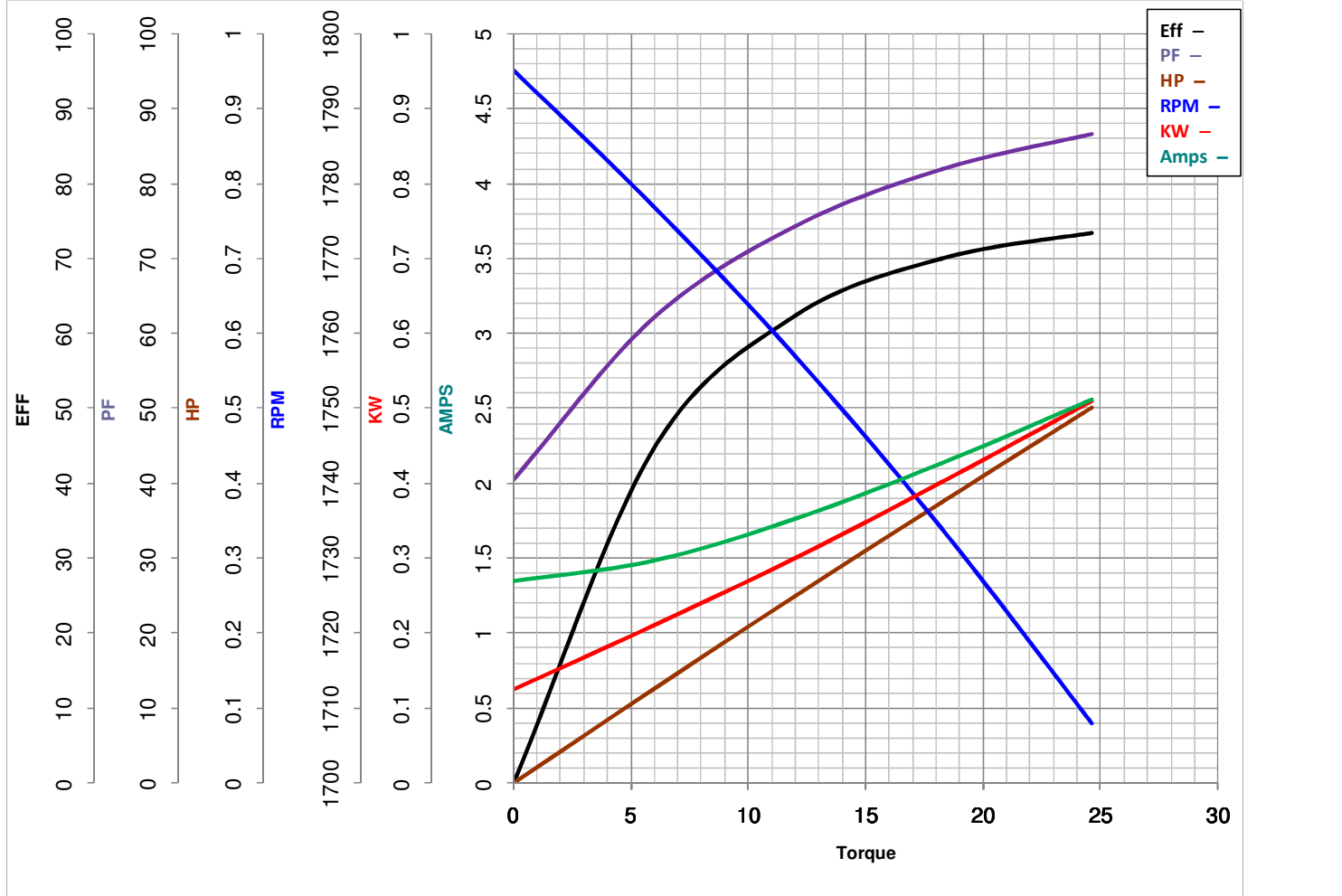


LEESON ELECTRIC CORPORATION
 TYPICAL PERFORMANCE CURVE for AC MOTOR

Model No 100701.00

Catalog No 100701.00

Curve at 230 Volts HP 0.50 PHASE 1
60 HZ
0.5 HP VOLTS 115/230
 HZ 60 RPM 1625



Torque in Oz.Ft

FL TORQUE 24.64 Oz.Ft
 BD TORQUE 55.9 Oz.Ft
 LR TORQUE 18.85 Oz.Ft

FL AMPS 5/2.5
 PU TORQUE 18.7 Oz.Ft
 LR AMPS 11.07

WINDING PE484466-5

Date 3/28/2018