

# PRODUCT INFORMATION PACKET

Model No: 117864.00

Catalog No: 117864.00

0.75 HP Agricultural Motor, 1 phase, 1800 RPM, 115/208-230 V, 56 Frame, TEFC



Regal and are trademarks of Regal Rexnord Corporation or one of its affiliated companies.  
©2022 Regal Rexnord Corporation, All Rights Reserved. MC017097E

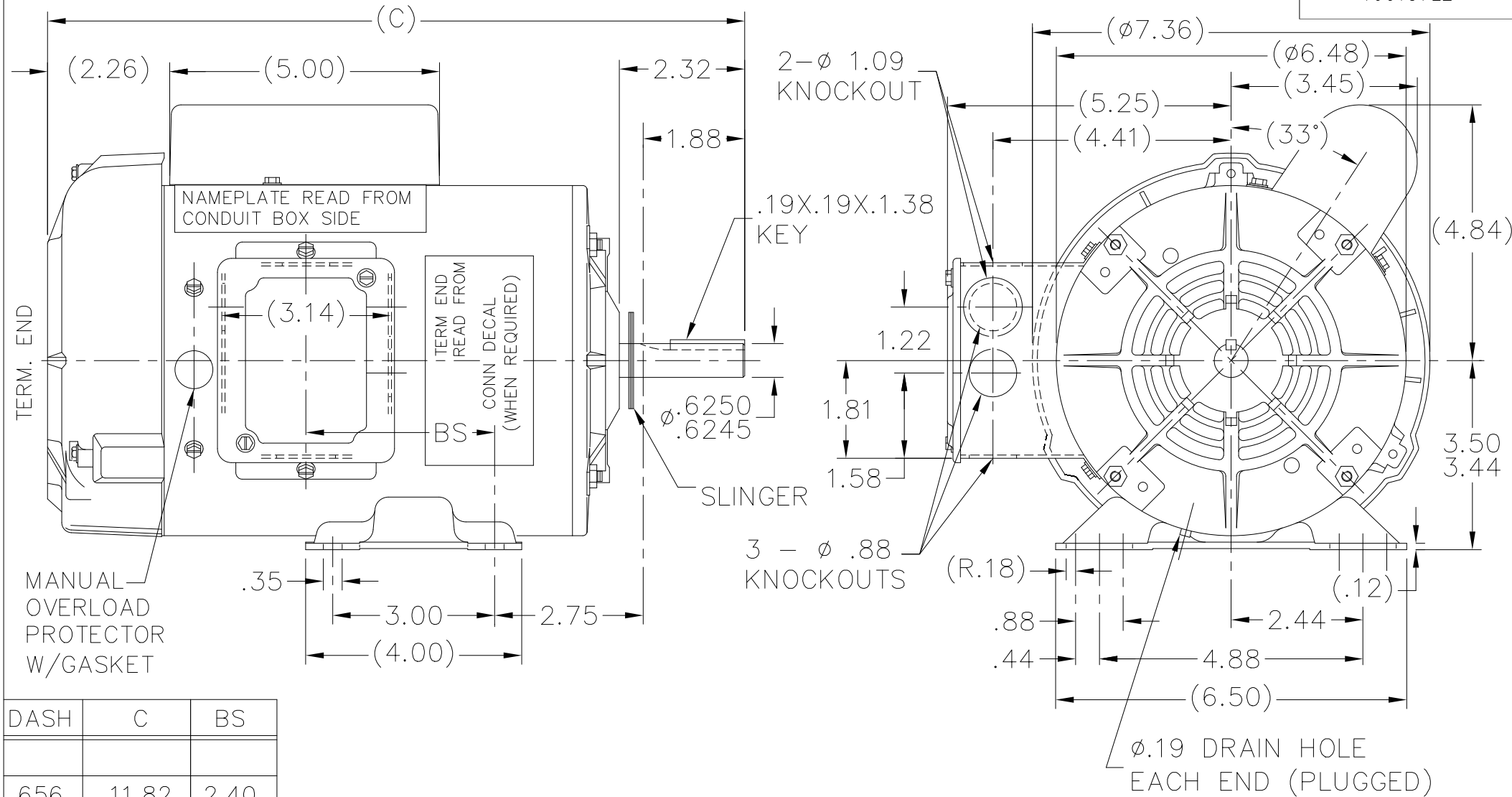
### Nameplate Specifications

Output HP	<b>0.75 Hp</b>	Output KW	<b>0.56 kW</b>
Frequency	<b>60 Hz</b>	Voltage	<b>115/208-230 V</b>
Current	<b>11.0/5.4-5.5 A</b>	Speed	<b>1725 rpm</b>
Service Factor	<b>1.15</b>	Phase	<b>1</b>
Efficiency	<b>70.5 %</b>	Power Factor	<b>71</b>
Duty	<b>Continuous</b>	Insulation Class	<b>B</b>
Design Code	<b>L</b>	KVA Code	<b>L</b>
Frame	<b>56</b>	Enclosure	<b>Totally Enclosed Fan Cooled</b>
Thermal Protection	<b>Manual</b>	Ambient Temperature	<b>40 °C</b>
Drive End Bearing Size	<b>6203</b>	Opp Drive End Bearing Size	<b>6203</b>
UL	<b>Recognized</b>	CSA	<b>Y</b>
CE	<b>N</b>	IP Code	<b>43</b>
Number of Speeds	<b>1</b>		

### Technical Specifications

Electrical Type	<b>Capacitor Start Induction Run</b>	Starting Method	<b>Across The Line</b>
Poles	<b>4</b>	Rotation	<b>Selective Counterclockwise</b>
Resistance Main	<b>0 Ohms</b>	Mounting	<b>Rigid Base</b>
Motor Orientation	<b>Horizontal</b>	Drive End Bearing	<b>Ball</b>
Opp Drive End Bearing	<b>Ball</b>	Frame Material	<b>Rolled Steel</b>
Shaft Type	<b>NEMA 56</b>	Overall Length	<b>12.32 in</b>
Frame Length	<b>7.06 in</b>	Shaft Diameter	<b>0.625 in</b>
Shaft Extension	<b>1.88 in</b>	Assembly/Box Mounting	<b>F1 ONLY</b>
Connection Drawing	<b>A-102005-52-LE</b>	Outline Drawing	<b>A-100137LE-706</b>

This is an uncontrolled document once printed or downloaded and is subject to change without notice. Date Created:06/08/2022

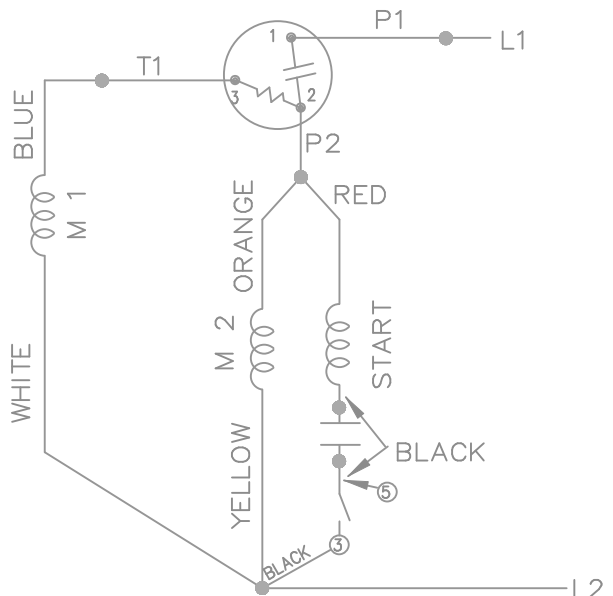


DASH	C	BS
656	11.82	2.40
706	12.32	2.90
756	12.82	3.40

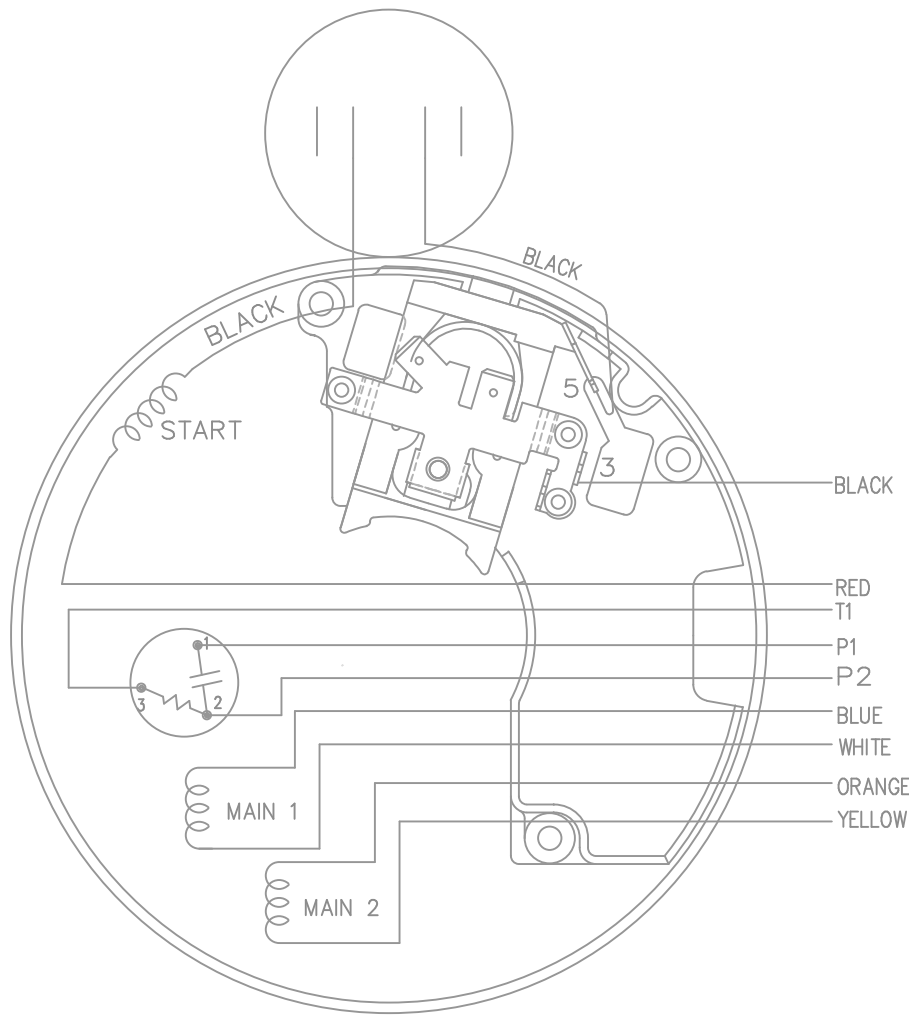
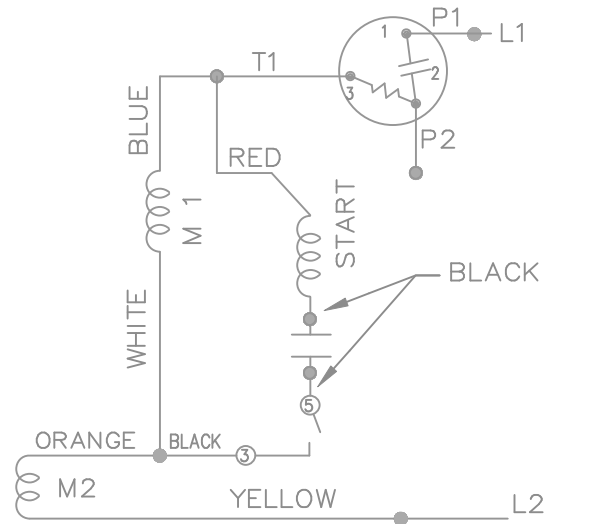
				TOLERANCES UNLESS SPECIFIED		DRAWN SVL 2-18-2013	
				DEC.	INCHES	CHK	
				.X	±.1	APPD	
				.XX	±.03	SCALE 3=8	
				.XXX	±.005	REF	
B	UPDATED DE ENDFRAME	SG 09/03/21	SN .XXXX	±.0005	TITLE OUTLINE		FMF MU112210
NO.	REVISION	BY & DATE	CHK ANG	±7'30"	MAT'L.		PREV
				RFP 2-18-2013	CAD FILE 100137LE		SIZE A
				DIST WP	3 of 6		DRAWING NO. 100137LE
						PAGE 1 OF 1	REV. B

THIS DRAWING IN DESIGN AND DETAIL IS OUR PROPERTY AND MUST NOT BE USED EXCEPT IN CONNECTION WITH OUR WORK ALL RIGHTS OF DESIGN AND INVENTION ARE RESERVED THIS IS AN ELECTRONICALLY GENERATED DOCUMENT - DO NOT SCALE THIS PRINT

LOW VOLTAGE - CCW

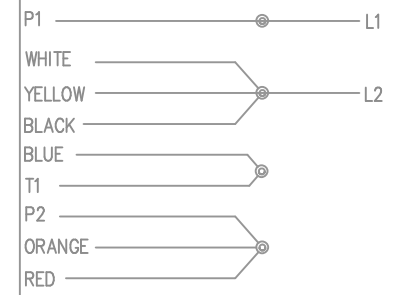


HIGH VOLTAGE - CCW

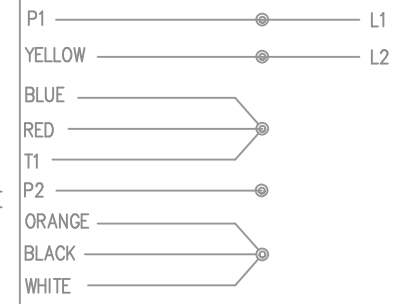


DUAL VOLTAGE  
CAPACITOR START  
OVERLOAD  
SELECT ROTATION


LOW VOLT. CCW ROT.



HIGH VOLT. CCW ROT.



FOR CW ROTATION  
EITHER VOLTAGE  
INTERCHANGE RED  
WITH BLACK

				TOLERANCES UNLESS SPECIFIED		 ELECTRIC MOTORS GEARMOTORS AND DRIVES	DRAWN NJS 09-03-2002		
				DEC.	INCHES		CHK ML 09-04-2002		
				.X	±.1		APPD GK 09-09-2002		
				.XX	±.02		SCALE 5=8		
				.XXX	±.005		REF		
1	NEW DRAWING	MU43222	NJS 09-09-2002	ML	.XXXX ±.0005	MAT'L.	FMF		
NO.	REVISION	BY & DATE	CHK	ANG	±7'30"	FINISH	PREV		
THIS DRAWING IN DESIGN AND DETAIL IS OUR PROPERTY AND MUST NOT BE USED EXCEPT IN CONNECTION WITH OUR WORK ALL RIGHTS OF DESIGN AND INVENTION ARE RESERVED THIS IS AN ELECTRONICALLY GENERATED DOCUMENT - DO NOT SCALE THIS PRINT				RFP	CAD FILE 102005-52-LE		SIZE	DRAWING NO. PAGE OF	REV.
				DIST	WP	A		102005-52-LE	1



1051 CHEYENNE AVE.  
GRAFTON, WI 53024  
PH. 262-377-8810

CATALOG #: 117864.00

CONN. DIAGRAM: A-102005-52-LE

OUTLINE: A-100137LE-706

WINDING #: ZC469 3

MOUNTING: F1 ONLY

**TYPICAL MOTOR PERFORMANCE DATA**

HP	kW	SYNC. RPM	F.L. RPM	FRAME	ENCLOSURE	KVA CODE	DESIGN
3/4	0.56	1800	1725	56	TEFC	L	L

PH	Hz	VOLTS	AMPS	START TYPE	DUTY	INSL	S.F.	AMB°C
1	60	115/208-230	11/5.4-5.5	ACROSS THE LINE	CONTINUOUS	B3	1.15	40

FULL LOAD EFF:	70.5	3/4 LOAD EFF:	69.4	1/2 LOAD EFF:	63.2	GTD. EFF	ELEC. TYPE
FULL LOAD PF:	71	3/4 LOAD PF:	56.9	1/2 LOAD PF:	46.1	66	CAP START IND RUN

F.L. TORQUE	LOCKED ROTOR AMPS	L.R. TORQUE	B.D. TORQUE	F.L. RISE°C
36 OZ-FT	62 / 31	120 OZ-FT 0 %	93 OZ-FT 0 %	60

SOUND PRESSURE @ 3 FT.	SOUND POWER	ROTOR WK^2	MAX. WK^2	SAFE STALL TIME	STARTS / HOUR	APPROX. MOTOR WGT
0 dBA	10 dBA	0 LB-FT^2	0 LB-FT^2	0 SEC.	0	33 LBS.

\*\*\* SUPPLEMENTAL INFORMATION \*\*\*

DE BRACKET TYPE	ODE BRACKET TYPE	MOUNT TYPE	ORIENTATION	SEVERE DUTY	HAZARDOUS LOCATION	DRIP COVER	SCREENS	PAINT
STANDARD	STANDARD	RIGID	HORIZONTAL	FALSE	NONE	FALSE	NONE	GRAY (POWDER)

BEARINGS		GREASE	SHAFT TYPE	SPECIAL DE	SPECIAL ODE	SHAFT MATERIAL	FRAME MATERIAL
DE	ODE						
BALL	BALL	POLYREX EM	T	NONE	NONE	1144 STRESSPROOF (C-223)	ROLLED STEEL
6203	6203						

THERMO-PROTECTORS				THERMISTORS	CONTROL	SPACE HEATERS
THERMOSTATS	PROTECTORS	WDG RTDs	BRG RTDs			
NONE	MANUAL	NONE	NONE	NONE	FALSE	NONE VOLTS

* N O T E S *	<b>INVERTER TORQUE:</b> NONE <b>INV. HP SPEED RANGE:</b> NONE
	<b>ENCODER:</b> NONE NONE NONE NONE NONE PPR
	<b>BRAKE:</b> NONE NONE NONE P/N NONE NONE NONE FT-LB NONE V NONE Hz

