

PRODUCT INFORMATION PACKET

Model No: A009595.00
Catalog No: A009595.00
2 HP Agricultural Motor, 1 phase, 1800 RPM, 230 V, 145 Frame, TEAO



Regal and are trademarks of Regal Rexnord Corporation or one of its affiliated companies.
©2022 Regal Rexnord Corporation, All Rights Reserved. MC017097E

Nameplate Specifications

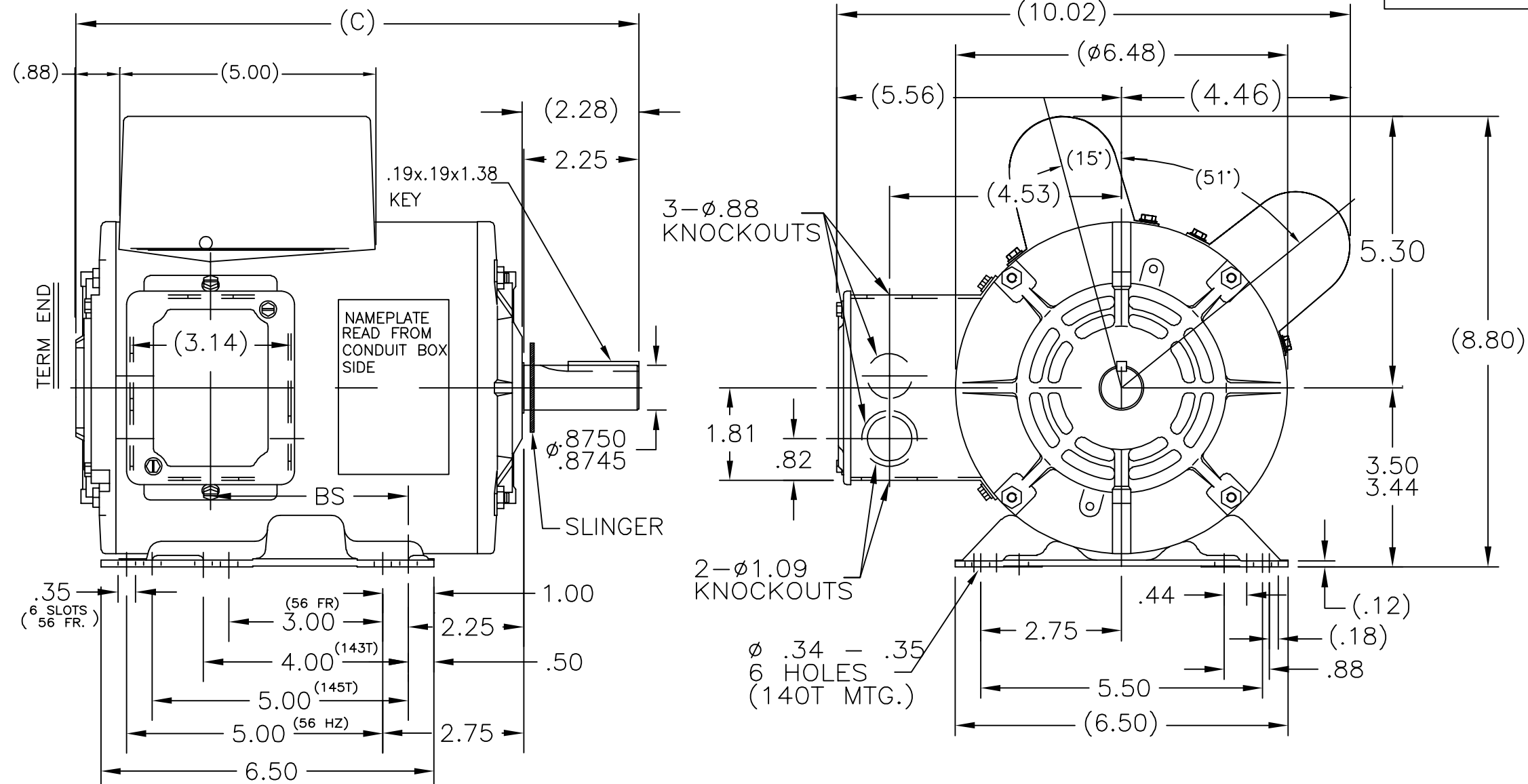
Output HP	2 Hp	Output KW	1.5 kW
Frequency	60 Hz	Voltage	230 V
Current	9.2 A	Speed	1749 rpm
Service Factor	1	Phase	1
Efficiency	81.6 %	Power Factor	86.3
Duty	Continuous	Insulation Class	B
Design Code	L	KVA Code	J
Frame	145T	Enclosure	Totally Enclosed Air Over
Thermal Protection	Automatic	Ambient Temperature	40 °C
Drive End Bearing Size	6205	Opp Drive End Bearing Size	6203
UL	Recognized	CSA	Y
CE	N	IP Code	43
Number of Speeds	1		

Technical Specifications

Electrical Type	Capacitor Start Capacitor Run	Starting Method	Across The Line
Poles	4	Rotation	Selective Counterclockwise
Resistance Main	0 Ohms	Mounting	Rigid Base
Motor Orientation	Horizontal	Drive End Bearing	Ball
Opp Drive End Bearing	Ball	Frame Material	Rolled Steel
Shaft Type	T	Overall Length	13.49 in
Frame Length	9.56 in	Shaft Diameter	0.875 in
Shaft Extension	2.25 in	Assembly/Box Mounting	F1 ONLY
Connection Drawing	102006_58_LE	Outline Drawing	108106-956

This is an uncontrolled document once printed or downloaded and is subject to change without notice. Date Created:06/08/2022

108106

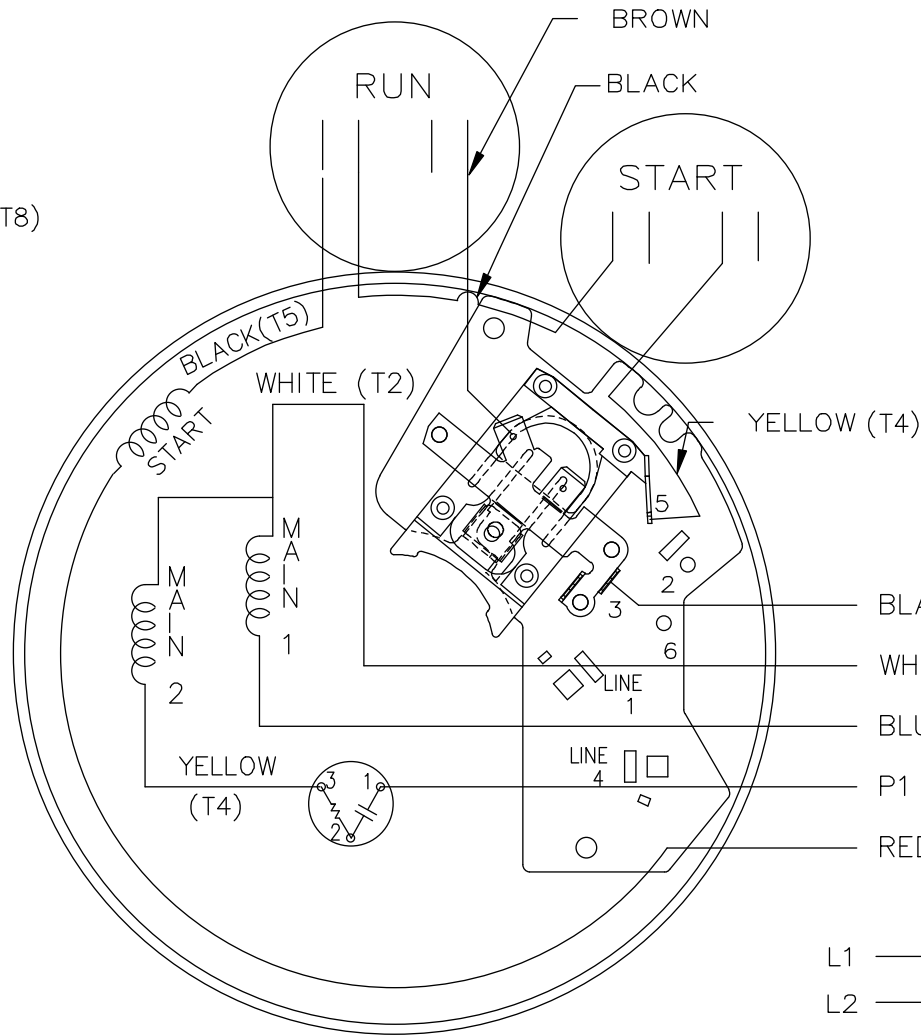
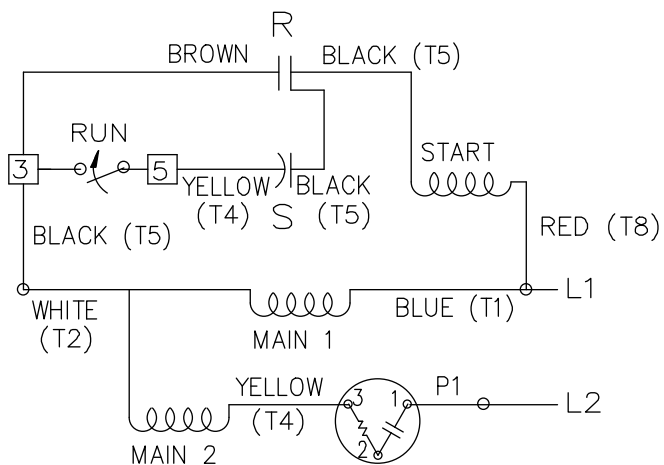


DASH	C	BS
706	10.99	3.86
756	11.49	4.36
856	12.49	5.36
906	12.99	5.86
956	13.49	6.36

NOTE:
1. CONDUIT BOX CAN BE ROTATED 180°

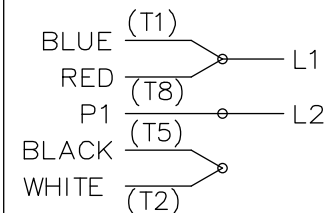
		TOLERANCES UNLESS SPECIFIED		LEESON	ELECTRIC MOTORS GEARMOTORS AND DRIVES	DRAWN KR 09-30-2013					
		DEC.	INCHES			CHK SM 09-30-2013	APPD				
		.X	±.1	TITLE OUTLINE - 140T & 56HZ FRAME RIGID MOUNT - TENV ENCLOSED		SCALE	1:1				
		.XX	±.03			REF	105626				
		.XXX	±.005			FMF	MU115192				
A	ADDED NAMEPLATE LOCATION PER ECO-0067603	UD	12/15/14	PI	.XXXX	±.0005	MAT'L.				
NO.	REVISION	BY & DATE	CHK	ANG	±1/2'	FINISH	PREV				
THIS DRAWING IN DESIGN AND DETAIL IS OUR PROPERTY AND MUST NOT BE USED EXCEPT IN CONNECTION WITH OUR WORK ALL RIGHTS OF DESIGN AND INVENTION ARE RESERVED THIS IS AN ELECTRONICALLY GENERATED DOCUMENT - DO NOT SCALE THIS PRINT				RFP	CAD FILE	108106	SIZE	DRAWING NO.	PAGE	OF	REV.
				DIST			A	108106			A

HIGH VOLTAGE C.C.W.



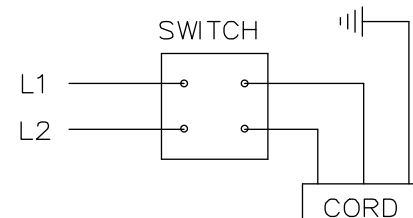
HIGH VOLTAGE CAPACITOR START OVERLOAD SELECT ROTATION.

HIGH VOLTAGE C.C.W. ROTATION




FOR C.W. ROTATION INTERCHANGE RED(T8) AND BLACK(T5) LEADS

- BLACK (T5)
- WHITE (T2)
- BLUE (T1)
- P1
- RED (T8)



NOTE: USE T TERMINALS WHEN CALLED IN BOM

			TOLERANCES UNLESS SPECIFIED			ELECTRIC MOTORS GEARMOTORS AND DRIVES	DRAWN HLB 04-28-2004	
			DEC.	INCHES			CHK ML 05-04-2004	
			.X	± -			APPD GK 05-04-2004	
			.XX	± -	TITLE CONNECTION DIAGRAM		SCALE 5=8	
			.XXX	± -			REF	
01	ADDED T TERMINAL	UD 09/27/13	MA .XXXX	± -	MAT'L.		FMF CN 38017	
NO.	REVISION	BY & DATE	CHK ANG	± -	FINISH		PREV	
THIS DRAWING IN DESIGN AND DETAIL IS OUR PROPERTY AND MUST NOT BE USED EXCEPT IN CONNECTION WITH OUR WORK ALL RIGHTS OF DESIGN AND INVENTION ARE RESERVED THIS IS AN ELECTRONICALLY GENERATED DOCUMENT - DO NOT SCALE THIS PRINT			RFP		CAD FILE 102006_58_le	SIZE A	DRAWING NO. 102006-58-LE	PAGE OF 01
			DIST					REV. 01



1051 CHEYENNE AVE.
GRAFTON, WI 53024
PH. 262-377-8810

CERTIFICATION DATA SHEET

CONN. DIAGRAM: A-102006_58_LE
OUTLINE: A-108106-956
WINDING #: ZB411 R2 6

CATALOG #: A009595.00
MOUNTING: F1 ONLY

TYPICAL MOTOR PERFORMANCE DATA

HP	kW	SYNC. RPM	F.L. RPM	FRAME	ENCLOSURE	KVA CODE	DESIGN
2	1.49	1800	1749	145	TEAO	J	L

PH	Hz	VOLTS	AMPS	START TYPE	DUTY	INSL	S.F.	AMB°C
1	60	230	9.2	ACROSS THE LINE	CONTINUOUS	B3	1.0	40

FULL LOAD EFF:	81.6	3/4 LOAD EFF:	81	1/2 LOAD EFF:	77.1	GTD. EFF	ELEC. TYPE
FULL LOAD PF:	86.3	3/4 LOAD PF:	81.6	1/2 LOAD PF:	73.1	78.5	CAP START CAP RUN

F.L. TORQUE	LOCKED ROTOR AMPS	L.R. TORQUE	B.D. TORQUE	F.L. RISE°C
6.02 LB-FT	65.7	18.84 LB-FT 0 %	15.31 LB-FT 0 %	76.5

SOUND PRESSURE @ 3 FT.	SOUND POWER	ROTOR WK^2	MAX. WK^2	SAFE STALL TIME	STARTS / HOUR	APPROX. MOTOR WGT
0 dBA	10 dBA	0 LB-FT^2	0 LB-FT^2	10 SEC.	0	50 LBS.

***** SUPPLEMENTAL INFORMATION *****

DE BRACKET TYPE	ODE BRACKET TYPE	MOUNT TYPE	ORIENTATION	SEVERE DUTY	HAZARDOUS LOCATION	DRIP COVER	SCREENS	PAINT
STANDARD	STANDARD	RIGID	HORIZONTAL	FALSE	NONE	FALSE	NONE	GRAY - LIGHT

BEARINGS		GREASE	SHAFT TYPE	SPECIAL DE	SPECIAL ODE	SHAFT MATERIAL	FRAME MATERIAL
DE	ODE						
BALL	BALL	POLYREX EM	STANDARD 56	NONE	NONE	1144 STRESSPROOF (C-223)	ROLLED STEEL
6205	6203						

THERMO-PROTECTORS				THERMISTORS	CONTROL	SPACE HEATERS
THERMOSTATS	PROTECTORS	WDG RTDs	BRG RTDs			
NONE	AUT LCK RTR ONLY	NONE	NONE	NONE	FALSE	NONE VOLTS

*
N
O
T
E
S
*

INVERTER TORQUE: NONE
INV. HP SPEED RANGE: NONE
ENCODER: NONE NONE NONE NONE NONE PPR
BRAKE: NONE NONE NONE P/N NONE NONE NONE NONE FT-LB NONE V NONE Hz



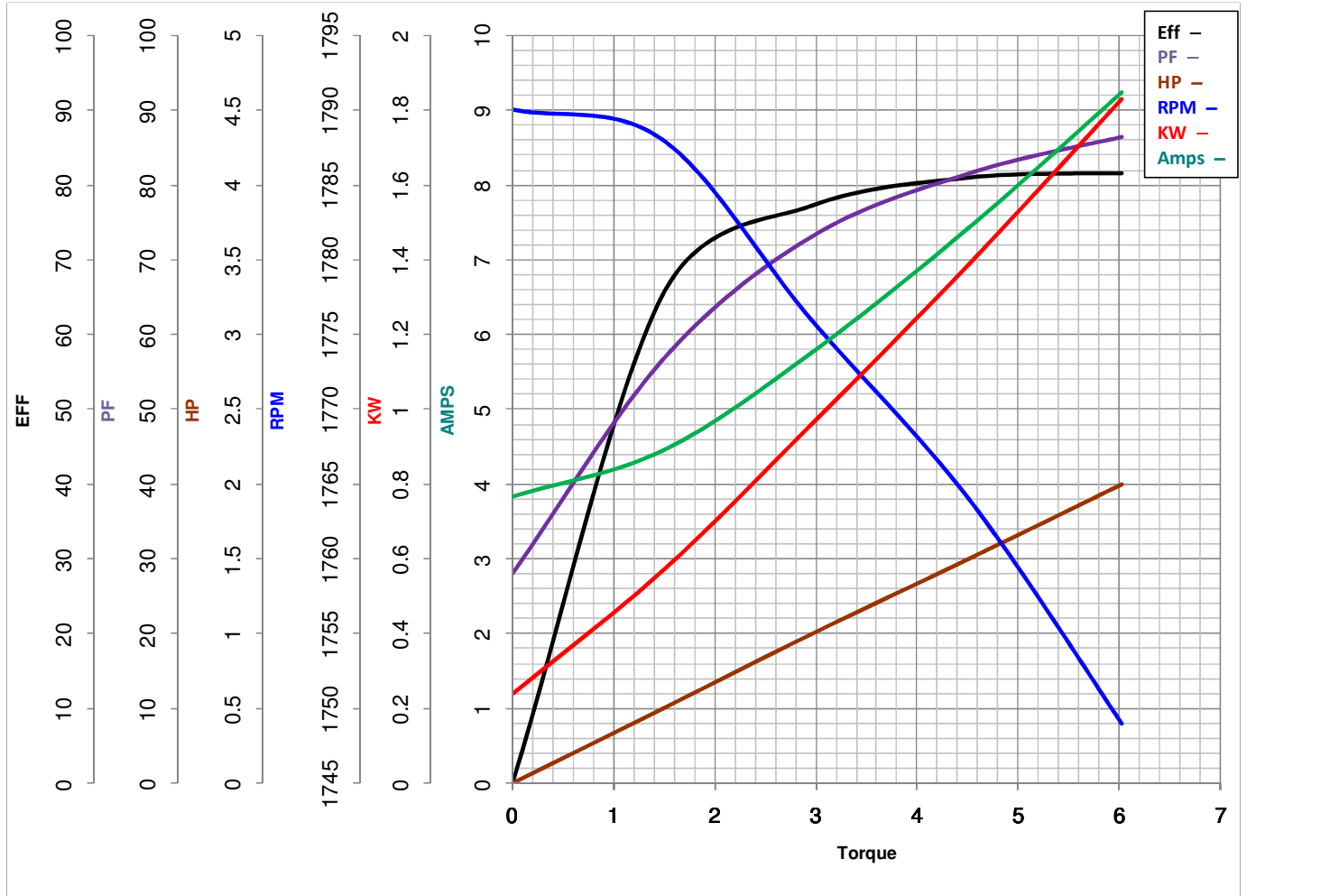
LEESON ELECTRIC CORPORATION
TYPICAL PERFORMANCE CURVE for AC MOTOR

Model No A009595.00

Curve at 230 Volts HP 2.00 PHASE 1
60 HZ
2 HP VOLTS 230

Catalog No A009595.00

HZ 60 RPM 1749



Torque in Lb.Ft

FL TORQUE 6.02 Lb.Ft
BD TORQUE 15.3 Lb.Ft
LR TORQUE 18.84 Lb.Ft

FL AMPS 9.2
PU TORQUE 14.8 Lb.Ft
LR AMPS 65.7

WINDING ZB411-6

Date 3/27/2018