

PRODUCT INFORMATION PACKET



Model No: 111333.00
Catalog No: 111333.00
1 HP Agricultural Motor, 1 phase, 3600 RPM, 115/208-230 V, 56Z Frame, TEAO
Agricultural Motors



Regal and Leeson are trademarks of Regal Rexnord Corporation or one of its affiliated companies.
©2021 Regal Rexnord Corporation, All Rights Reserved. MC017097E





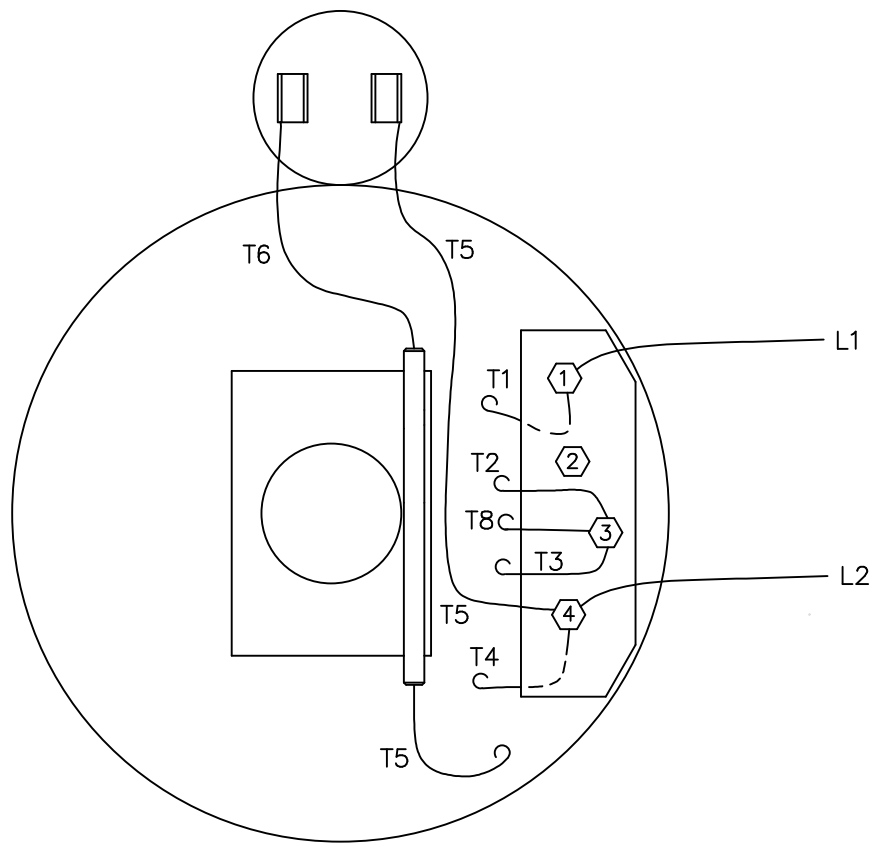
Nameplate Specifications

Output HP	1 Hp	Output KW	0.75 kW
Frequency	60 Hz	Voltage	115/208-230 V
Current	12.0/6.2-6.0 A	Speed	3450 rpm
Service Factor	1	Phase	1
Efficiency	70 %	Power Factor	76
Duty	Continuous	Insulation Class	B
Design Code	N	KVA Code	J
Frame	56Z	Enclosure	Totally Enclosed Air Over
Thermal Protection	No	Ambient Temperature	40 °C
Drive End Bearing Size	6203	Opp Drive End Bearing Size	6203
UL	Recognized	CSA	Y
CE	N	IP Code	43
Number of Speeds	1		

Technical Specifications

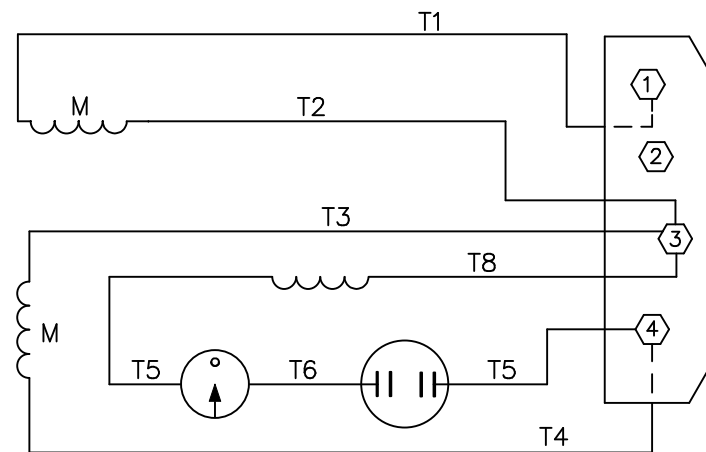
Electrical Type	Capacitor Start Induction Run	Starting Method	Across The Line
Poles	2	Rotation	Selective Counterclockwise
Resistance Main	1.92 Ohms	Mounting	Rigid Base
Motor Orientation	Horizontal	Drive End Bearing	Ball
Opp Drive End Bearing	Ball	Frame Material	Rolled Steel
Shaft Type	NEMA 56	Overall Length	10.90 in
Frame Length	6.00 in	Shaft Diameter	0.625 in
Shaft Extension	1.87 in	Assembly/Box Mounting	F1 ONLY
Outline Drawing	028597-600B	Connection Drawing	005005.52

This is an uncontrolled document once printed or downloaded and is subject to change without notice. Date Created:10/07/2021



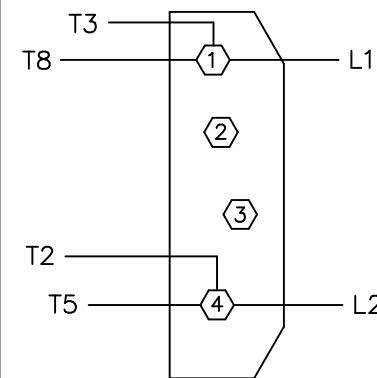
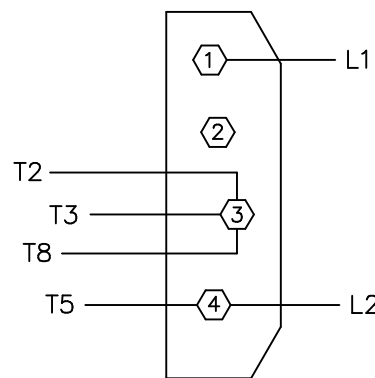
VIEW FROM OUTSIDE OF MOTOR AT SWITCH END.

LINE LEADS



HIGH VOLTAGE

LOW VOLTAGE



C.C.W. ROTATION FACING LEAD END
INTERCHANGE LEADS T5 & T8 FOR C.W.

		TOLERANCES UNLESS SPECIFIED	
		DEC.	INCHES
		.X	±.1
		.XX	±.01
		.XXX	±.005
		.XXXX	±.0005
NO.	REVISION	BY & DATE	CHK
			ANG ±1/2"

	ELECTRIC MOTORS GEARMOTORS AND DRIVES	DRAWN PG 9/14/05
		CHK
		APPD
	TITLE EXTERNAL WIRING DIAGRAM TYPE "C" W/O PROTECTOR	SCALE 1=1
	MAT'L. DECAL 081209-01	REF 005005-24
FINISH STANDARD	FMF 115950.00	PREV

THIS DRAWING IN DESIGN AND DETAIL IS OUR PROPERTY AND MUST NOT BE USED EXCEPT IN CONNECTION WITH OUR WORK ALL RIGHTS OF DESIGN AND INVENTION ARE RESERVED THIS IS AN ELECTRONICALLY GENERATED DOCUMENT - DO NOT SCALE THIS PRINT		RFP	CAD FILE 00500552	SIZE A	DRAWING NO. 005005-52	REV.
		DIST				



CERTIFICATION DATA SHEET

**1051 CHEYENNE AVE.
GRAFTON, WI 53024
PH. 262-377-8810**

CONN. DIAGRAM: 005005.52

CATALOG #: 111333.00

OUTLINE: 028597-600B

MOUNTING: F1 ONLY

WINDING #: C632211 NR 3 D

TYPICAL MOTOR PERFORMANCE DATA

HP	kW	SYNC. RPM	F.L. RPM	FRAME	ENCLOSURE	KVA CODE	DESIGN
1	0.75	3600	3450	56Z	TEAO	J	N

PH	Hz	VOLTS	AMPS	START TYPE	DUTY	INSL	S.F.	AMB°C
1	60	115/208-230	12/6.2-6	ACROSS THE LINE	CONTINUOUS	B4	1.0	40

FULL LOAD EFF:	70	3/4 LOAD EFF:	68.7	1/2 LOAD EFF:	63.5	GTD. EFF		ELEC. TYPE	
FULL LOAD PF:	76	3/4 LOAD PF:	69.4	1/2 LOAD PF:	58.3	66	CAP START IND RUN		

F.L. TORQUE	LOCKED ROTOR AMPS	L.R. TORQUE	B.D. TORQUE	F.L. RISE°C
24 OZ-FT	68 / 34	80 OZ-FT 333 %	64 OZ-FT 267 %	60

SOUND PRESSURE @ 3 FT.	SOUND POWER	ROTOR WK^2	MAX. WK^2	SAFE STALL TIME	STARTS / HOUR	APPROX. MOTOR WGT
0 dBA	10 dBA	0.047 LB-FT^2	0 LB-FT^2	0 SEC.	0	32 LBS.

***** SUPPLEMENTAL INFORMATION *****

DE BRACKET TYPE	ODE BRACKET TYPE	MOUNT TYPE	ORIENTATION	SEVERE DUTY	HAZARDOUS LOCATION	DRIP COVER	SCREENS	PAINT
STANDARD	STANDARD	RIGID	HORIZONTAL	FALSE	NONE	FALSE	NONE	GRAY - LIGHT (EPOXY)

BEARINGS		GREASE	SHAFT TYPE	SPECIAL DE	SPECIAL ODE	SHAFT MATERIAL	FRAME MATERIAL
DE	ODE						
BALL	BALL	POLYREX EM	STANDARD 56	NONE	NONE	1144 STRESSPROOF (C-223)	ROLLED STEEL
6203	6203						

THERMO-PROTECTORS				THERMISTORS	CONTROL	SPACE HEATERS
THERMOSTATS	PROTECTORS	WDG RTDs	BRG RTDs			
NONE	NOT	NONE	NONE	NONE	FALSE	NONE VOLTS

*
N
O
T
E
S

INVERTER TORQUE: NONE
INV. HP SPEED RANGE: NONE
ENCODER: NONE
NONE NONE
NONE NONE PPR
BRAKE: NONE NONE
NONE P/N NONE
NONE NONE
NONE FT-LB NONE V NONE Hz

