

PRODUCT INFORMATION PACKET

Model No: 100768.00

Catalog No: 100768.00

0.50 HP Agricultural Motor, 1 phase, 1800 RPM, 115/230 V, 56 Frame, TENV



Regal and are trademarks of Regal Rexnord Corporation or one of its affiliated companies.

©2022 Regal Rexnord Corporation, All Rights Reserved. MC017097E

Nameplate Specifications

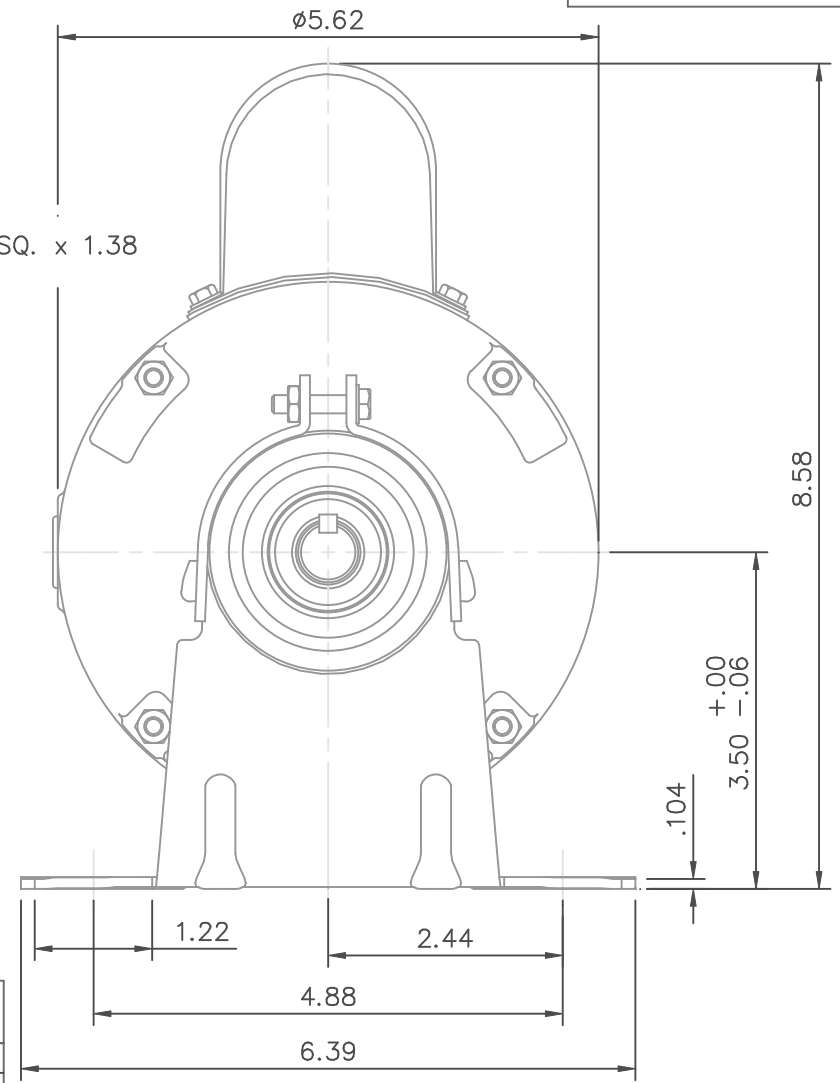
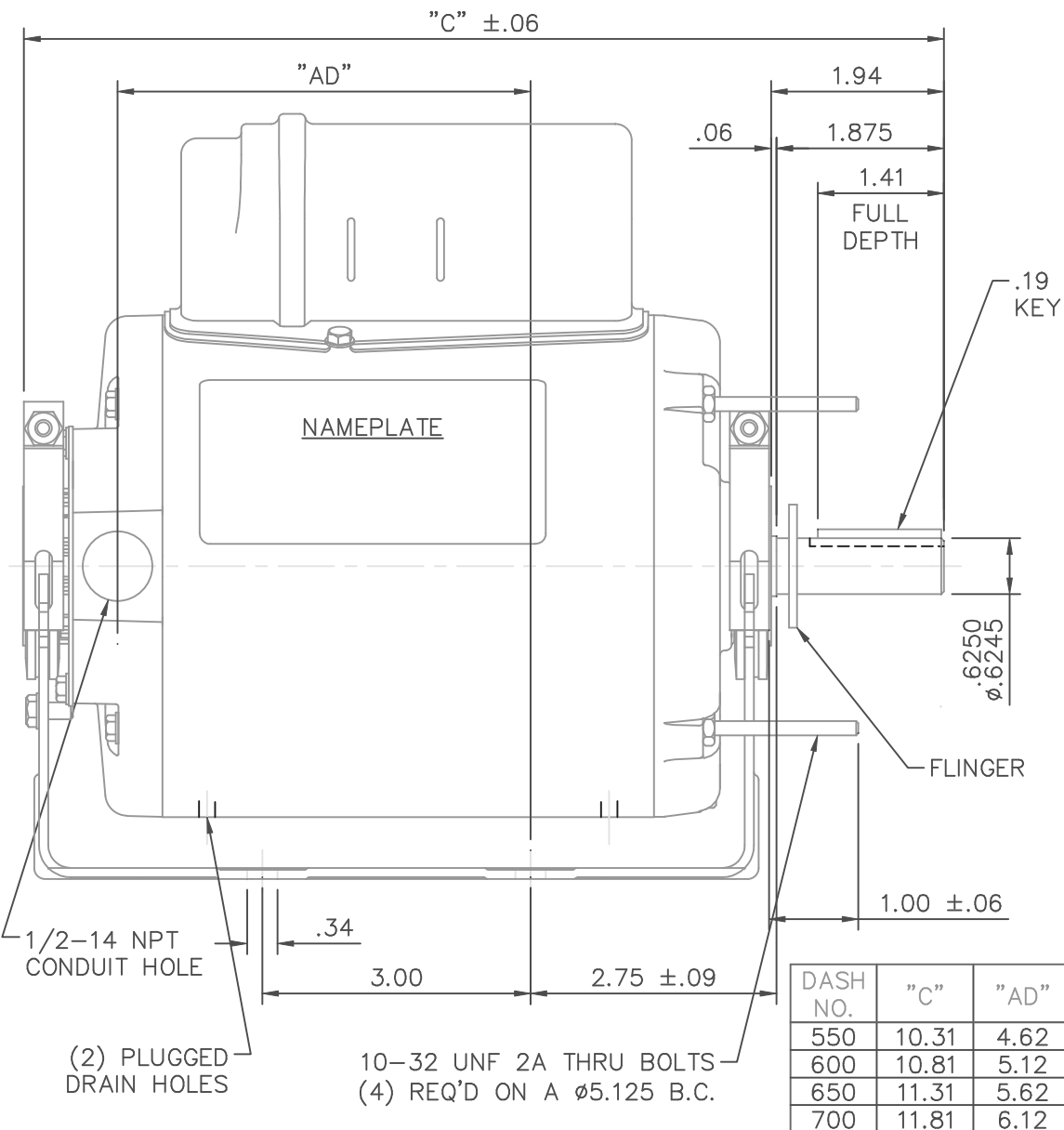
Output HP	0.50 Hp	Output KW	0.37 kW
Frequency	60 Hz	Voltage	115/230 V
Current	4.4/2.2 A	Speed	1625 rpm
Service Factor	1	Phase	1
Efficiency	75 %	Power Factor	98
Duty	Continuous	Insulation Class	B
Design Code	NO DESIGN CODE	KVA Code	D
Frame	S56	Enclosure	Totally Enclosed Non Ventilated
Thermal Protection	Automatic	Ambient Temperature	40 °C
Drive End Bearing Size	6203	Opp Drive End Bearing Size	6203
UL	Recognized	CSA	Y
CE	N	IP Code	43
Number of Speeds	1		

Technical Specifications

Electrical Type	Permanent Split Capacitor	Starting Method	Across The Line
Poles	4	Rotation	Selective Counterclockwise
Resistance Main	5.68 Ohms	Mounting	Resilient Base
Motor Orientation	Horizontal	Drive End Bearing	Ball
Opp Drive End Bearing	Ball	Frame Material	Rolled Steel
Shaft Type	NEMA 56	Overall Length	10.81 in
Frame Length	6.00 in	Shaft Diameter	0.625 in
Shaft Extension	1.88 in	Assembly/Box Mounting	F1 ONLY
Connection Drawing	005109.15	Outline Drawing	031706-600

This is an uncontrolled document once printed or downloaded and is subject to change without notice. Date Created:06/08/2022

031706



TOLERANCES UNLESS SPECIFIED	
DEC.	INCHES
.X	±.1
.XX	±.03
.XXX	±.005
.XXXX	±.0005
CHK	ANG ±1/2°



ELECTRIC MOTORS
GEARMOTORS
AND DRIVES

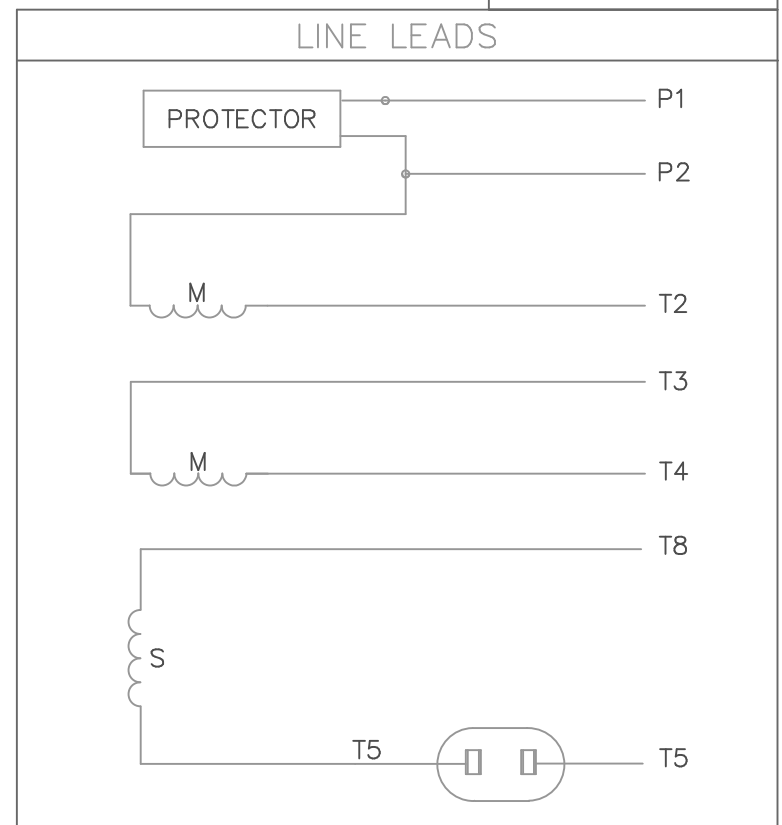
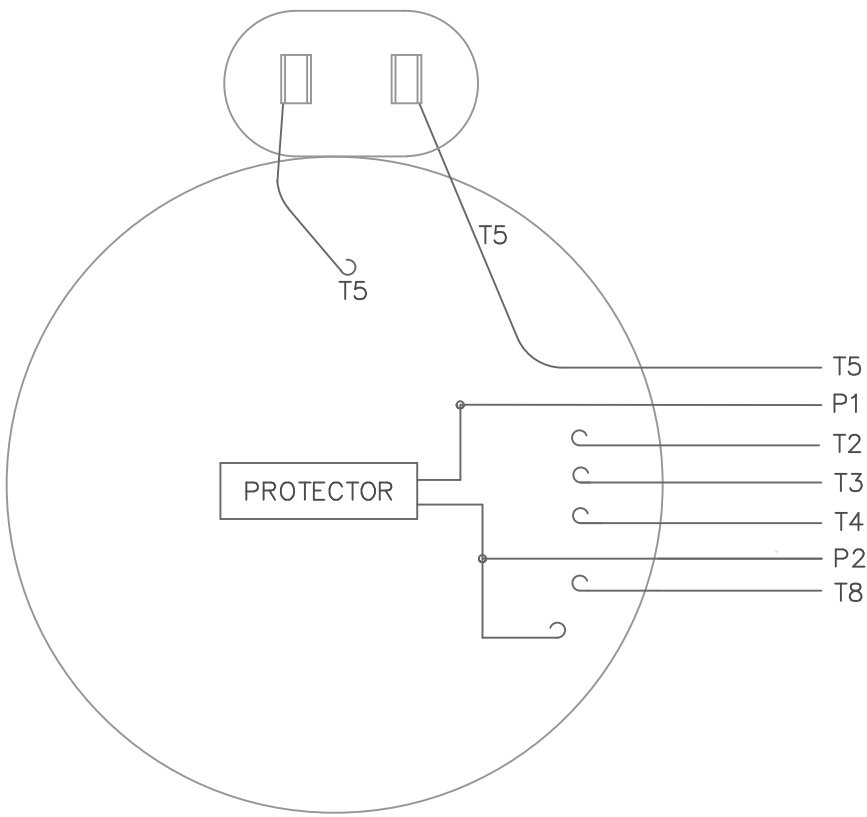
DRAWN	PG 7/24/02
CHK	
APPD	
SCALE	1=2
REF	031082
FMF	100767.00
PREV	

TITLE	OUTLINE - S56 FRAME RESILIENT MOUNT - TENV
MAT'L.	1 PHASE
FINISH	


NO.	REVISION	BY & DATE	CHK
01	REVISED TO EXT. THRU-BOLTS PER CN #04-327/333	KMM 3/8/04	

THIS DRAWING IN DESIGN AND DETAIL IS OUR PROPERTY AND MUST NOT BE USED EXCEPT IN CONNECTION WITH OUR WORK ALL RIGHTS OF DESIGN AND INVENTION ARE RESERVED THIS IS AN ELECTRONICALLY GENERATED DOCUMENT - DO NOT SCALE THIS PRINT		RFP	CAD FILE	031706	SIZE	DRAWING NO.	REV.
		DIST			A	031706	01

VIEW FROM OUTSIDE OF MOTOR AT SWITCH END.



	ROTATION FACING LEAD END	L1	L2	JOIN	INSULATE SEPARATELY
HIGH VOLT	C.C.W.	P1	T4 T5	T2, T3 T8	P2
	C.W.	P1	T4 T8	T2, T3 T5	P2
LOW VOLT	C.C.W.	P1	T2, T4 T5	P2, T3 T8	--
	C.W.	P1	T2, T4 T8	P2, T3 T5	--

				TOLERANCES UNLESS SPECIFIED		 ELECTRIC MOTORS GEARMOTORS AND DRIVES		DRAWN PG 3/4/02		
				DEC.	INCHES			CHK		
				.X	±.1			APPD		
				.XX	±.01			SCALE 1=1		
				.XXX	±.005			REF 005109-01		
				.XXXX	±.0005	MAT'L. DECAL - 004011		FMF 102675		
NO.	REVISION	BY & DATE	CHK	ANG	±1/2'	FINISH		PREV		
THIS DRAWING IN DESIGN AND DETAIL IS OUR PROPERTY AND MUST NOT BE USED EXCEPT IN CONNECTION WITH OUR WORK ALL RIGHTS OF DESIGN AND INVENTION ARE RESERVED THIS IS AN ELECTRONICALLY GENERATED DOCUMENT - DO NOT SCALE THIS PRINT				RFP	CAD FILE 00510915		SIZE	DRAWING NO.		REV.
				DIST			A	005109-15		



CERTIFICATION DATA SHEET

**1051 CHEYENNE AVE.
GRAFTON, WI 53024
PH. 262-377-8810**

CONN. DIAGRAM: 005109.15

CATALOG #: 100768.00

OUTLINE: 031706-600

MOUNTING: F1 ONLY

WINDING #: PE484445 3 C

TYPICAL MOTOR PERFORMANCE DATA

HP	kW	SYNC. RPM	F.L. RPM	FRAME	ENCLOSURE	KVA CODE	DESIGN
1/2	0.37	1800	1625	S56	TENV	D	NO DESIGN CODE

PH	Hz	VOLTS	AMPS	START TYPE	DUTY	INSL	S.F.	AMB°C
1	60	115/230	4.4/2.2	ACROSS THE LINE	CONTINUOUS	B3	1.0	40

FULL LOAD EFF:	75	3/4 LOAD EFF:	71.4	1/2 LOAD EFF:	61.9	GTD. EFF	ELEC. TYPE
FULL LOAD PF:	98	3/4 LOAD PF:	98.5	1/2 LOAD PF:	98	70	PSC 1 SPEED

F.L. TORQUE	LOCKED ROTOR AMPS	L.R. TORQUE	B.D. TORQUE	F.L. RISE°C
24.8 OZ-FT	18 / 9	16.5 OZ-FT 69 %	50 OZ-FT 208 %	92.5

SOUND PRESSURE @ 3 FT.	SOUND POWER	ROTOR WK^2	MAX. WK^2	SAFE STALL TIME	STARTS / HOUR	APPROX. MOTOR WGT
60 dBA	70 dBA	0.05 LB-FT^2	0 LB-FT^2	0 SEC.	0	39 LBS.

***** SUPPLEMENTAL INFORMATION *****

DE BRACKET TYPE	ODE BRACKET TYPE	MOUNT TYPE	ORIENTATION	SEVERE DUTY	HAZARDOUS LOCATION	DRIP COVER	SCREENS	PAINT
STANDARD	STANDARD	RESILIENT BASE	HORIZONTAL	FALSE	NONE	FALSE	NONE	GRAY - LIGHT

BEARINGS		GREASE	SHAFT TYPE	SPECIAL DE	SPECIAL ODE	SHAFT MATERIAL	FRAME MATERIAL
DE	ODE						
BALL	BALL	MULTEMP SRL	T	NONE	NONE	1144 STRESSPROOF (C-223)	ROLLED STEEL
6203	6203						

THERMO-PROTECTORS				THERMISTORS	CONTROL	SPACE HEATERS
THERMOSTATS	PROTECTORS	WDG RTDs	BRG RTDs			
NONE	AUTOMATIC	NONE	NONE	NONE	FALSE	NONE VOLTS

*
N
O
T
E
S

INVERTER TORQUE: NONE
INV. HP SPEED RANGE: NONE
ENCODER: NONE
NONE NONE
NONE NONE PPR
BRAKE: NONE NONE
NONE P/N NONE
NONE NONE
NONE FT-LB NONE V NONE Hz

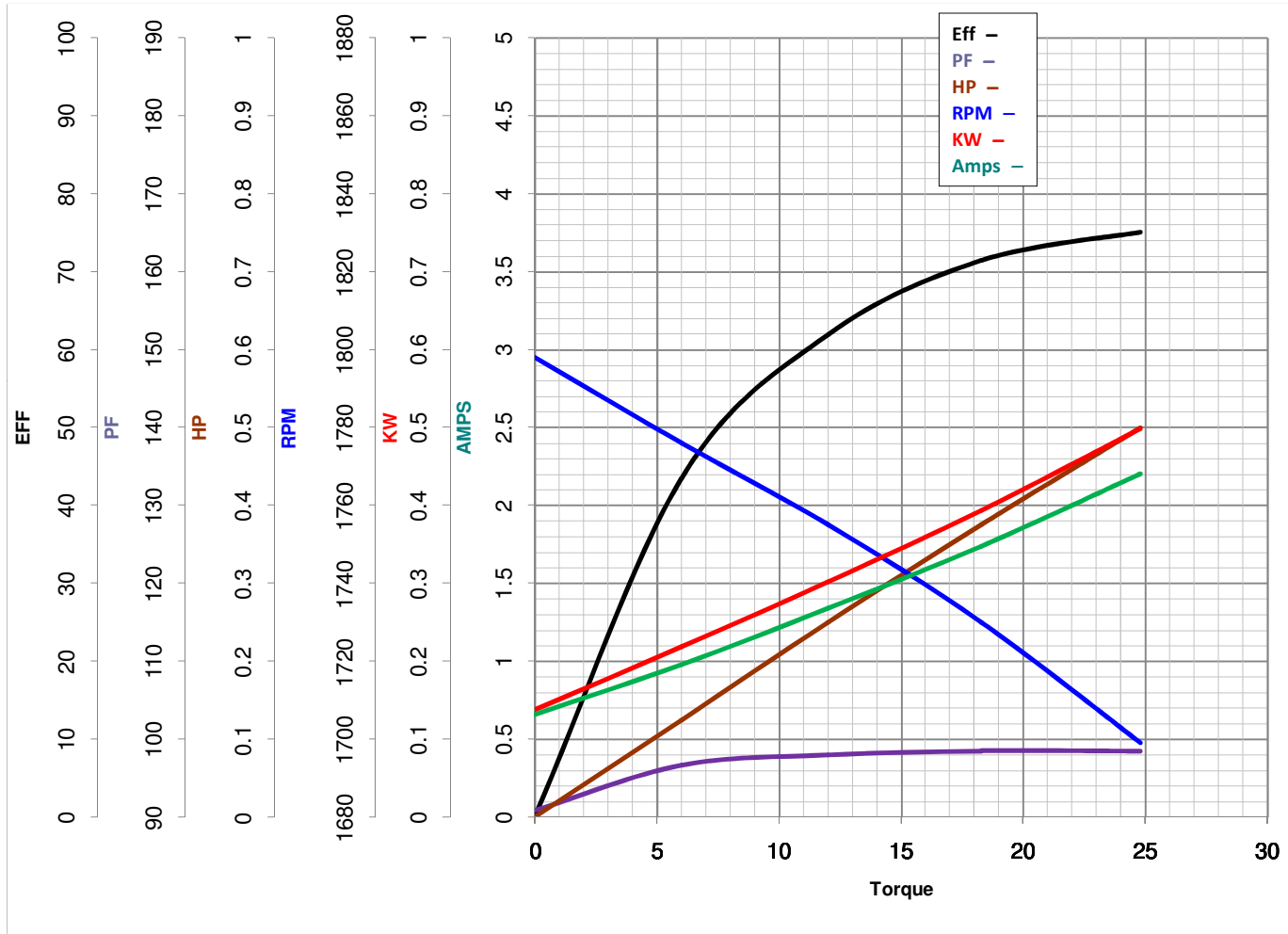


LEESON ELECTRIC CORPORATION
TYPICAL PERFORMANCE CURVE for AC MOTOR

Model No 100768.00

Catalog No 100768.00

Curve at 230 Volts HP 0.50 PHASE 1
60 HZ
0.5 HP VOLTS 115/230
HZ 60 RPM 1625



Torque in Oz.Ft

FL TORQUE 24.8 Oz.Ft
 BD TORQUE 50.0 Oz.Ft
 LR TORQUE 16.5 Oz.Ft

FL AMPS 4.4/2.2
 PU TORQUE 16.0 Oz.Ft
 LR AMPS 9

WINDING PE484445-3

Date 3/13/2018