

PRODUCT INFORMATION PACKET

Model No: 117862.00

Catalog No: 117862.00

0.33 HP Agricultural Motor, 1 phase, 1800 RPM, 115/208-230 V, 56 Frame, TEFC



Regal and are trademarks of Regal Rexnord Corporation or one of its affiliated companies.
©2022 Regal Rexnord Corporation, All Rights Reserved. MC017097E

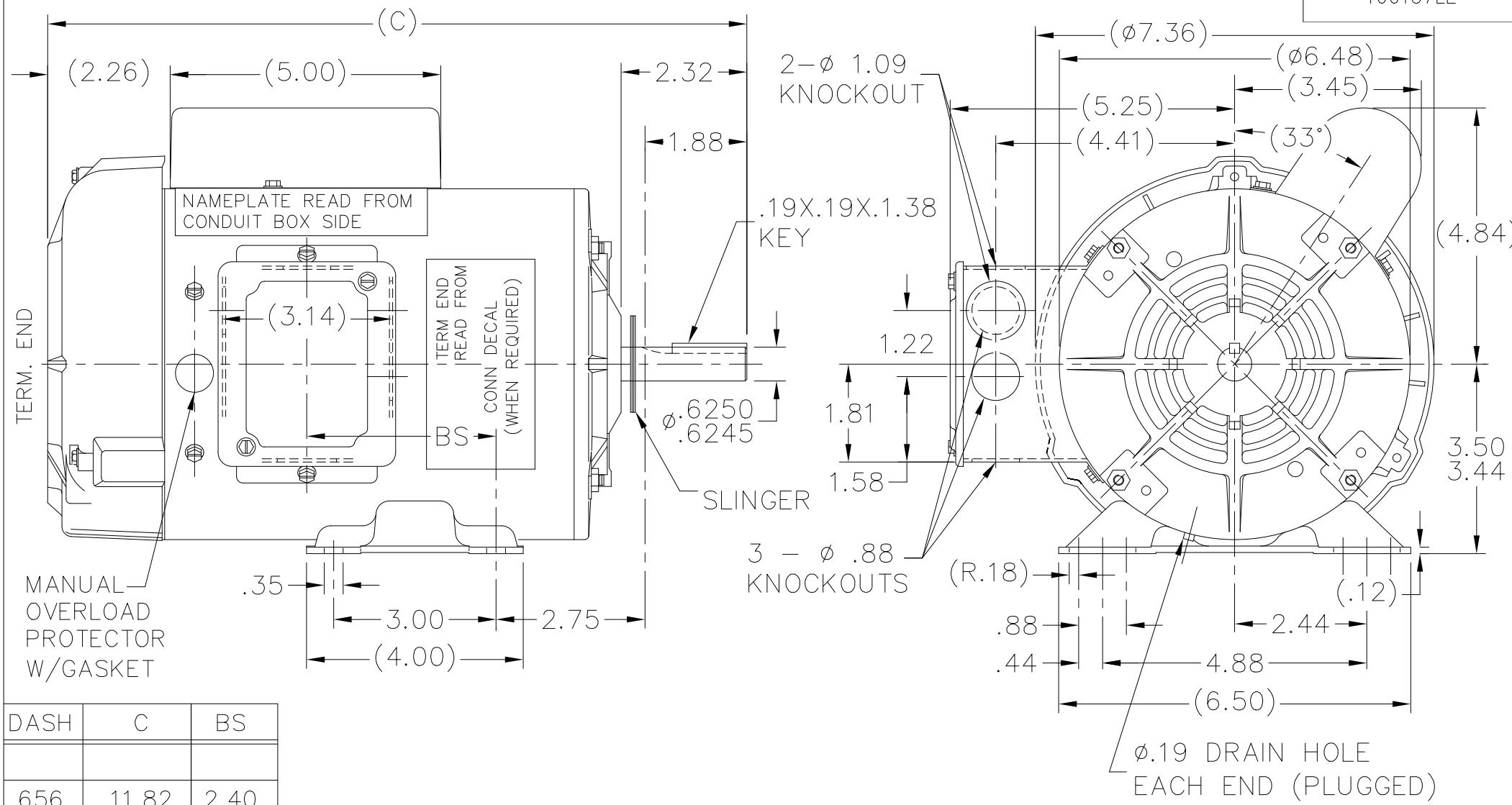
Nameplate Specifications

Output HP	0.33 Hp	Output KW	0.25 kW
Frequency	60 Hz	Voltage	115/208-230 V
Current	6.6/3.1-3.3 A	Speed	1725 rpm
Service Factor	1.15	Phase	1
Efficiency	55 %	Power Factor	60
Duty	Continuous	Insulation Class	B
Design Code	N	KVA Code	N
Frame	56	Enclosure	Totally Enclosed Fan Cooled
Thermal Protection	Manual	Ambient Temperature	40 °C
Drive End Bearing Size	6203	Opp Drive End Bearing Size	6203
UL	Recognized	CSA	Y
CE	N	IP Code	43
Number of Speeds	1		

Technical Specifications

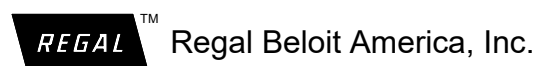
Electrical Type	Capacitor Start Induction Run	Starting Method	Across The Line
Poles	4	Rotation	Selective Counterclockwise
Resistance Main	0 Ohms	Mounting	Rigid Base
Motor Orientation	Horizontal	Drive End Bearing	Ball
Opp Drive End Bearing	Ball	Frame Material	Rolled Steel
Shaft Type	NEMA 56	Overall Length	11.82 in
Frame Length	6.56 in	Shaft Diameter	0.625 in
Shaft Extension	1.88 in	Assembly/Box Mounting	F1 ONLY
Outline Drawing	A-100137LE-656	Connection Drawing	A-102005-52-LE

This is an uncontrolled document once printed or downloaded and is subject to change without notice. Date Created:06/08/2022

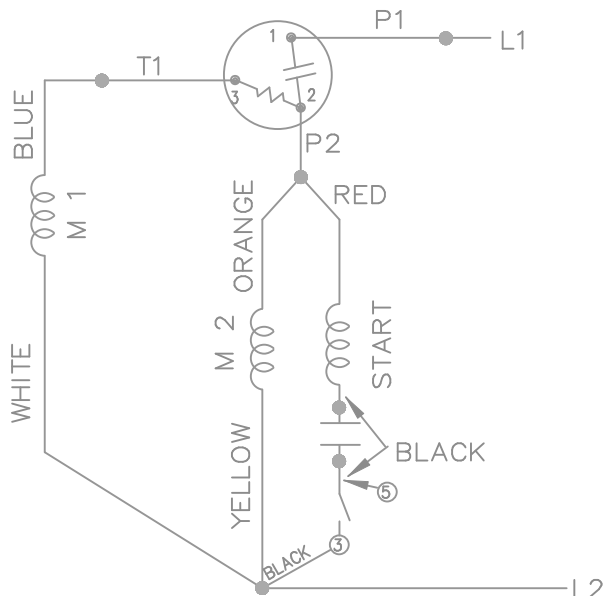


DASH	C	BS
656	11.82	2.40
706	12.32	2.90
756	12.82	3.40

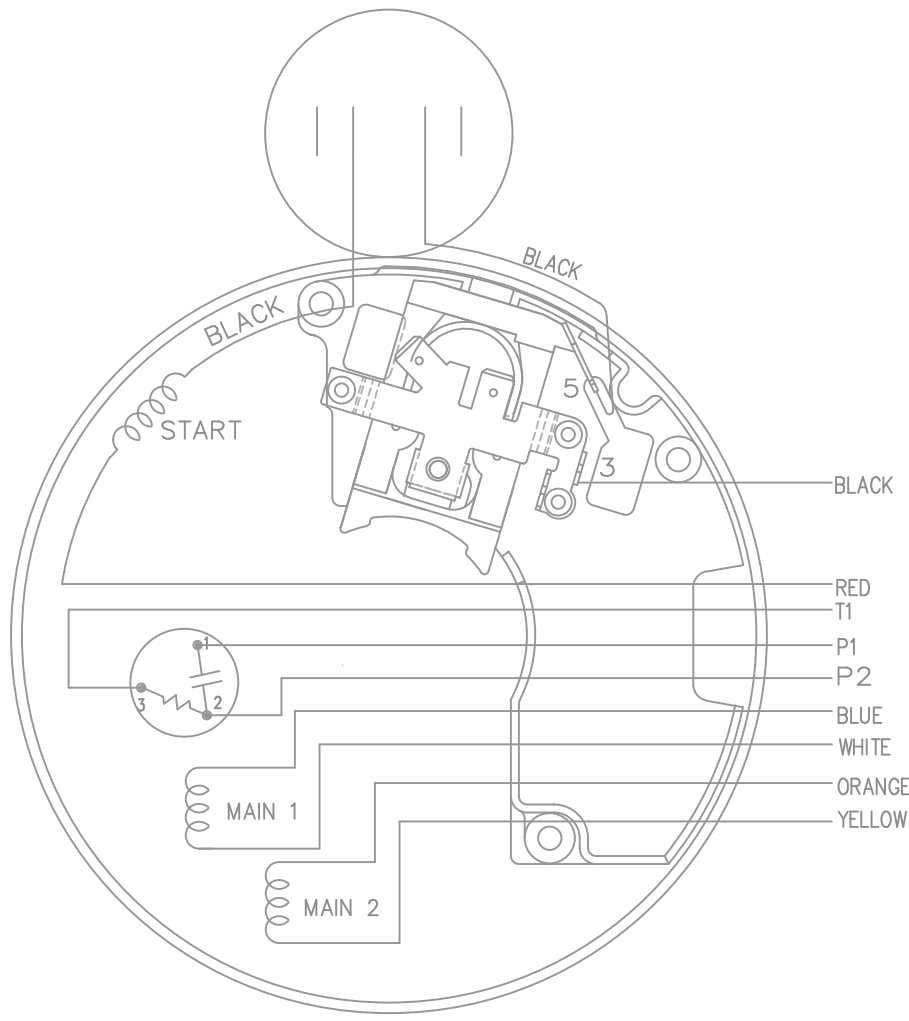
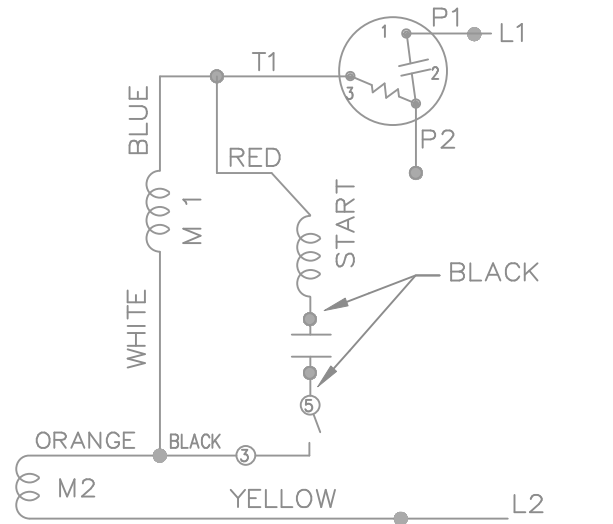
		TOLERANCES UNLESS SPECIFIED		DRAWN SVL 2-18-2013	
		DEC.	INCHES	CHK	
		.X	$\pm .1$	APPD	
		.XX	$\pm .03$	SCALE 3=8	
		.XXX	$\pm .005$	REF	
B	UPDATED DE ENDFRAME	SG	09/03/21	SN	.XXXX $\pm .0005$
NO.	REVISION	BY & DATE	CHK	ANG	$\pm 7'30''$
				FINISH	
				MAT'L.	
				TITLE OUTLINE	
				56 FRAME - BB - TEFC - 1 ϕ	
				FMF MU112210	
				PREV	
THIS DRAWING IN DESIGN AND DETAIL IS OUR PROPERTY AND MUST NOT BE USED EXCEPT IN CONNECTION WITH OUR WORK ALL RIGHTS OF DESIGN AND INVENTION ARE RESERVED THIS IS AN ELECTRONICALLY GENERATED DOCUMENT - DO NOT SCALE THIS PRINT		RFP	2-18-2013	CAD FILE	100137LE
		DIST	WP	SIZE	A
				DRAWING NO.	100137LE
				PAGE	1 OF 1
				REV.	B



LOW VOLTAGE - CCW

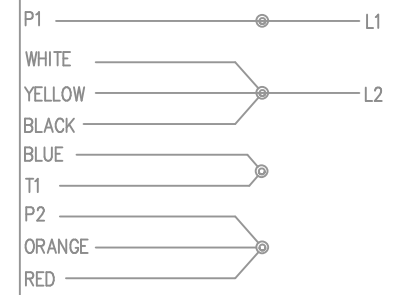


HIGH VOLTAGE - CCW

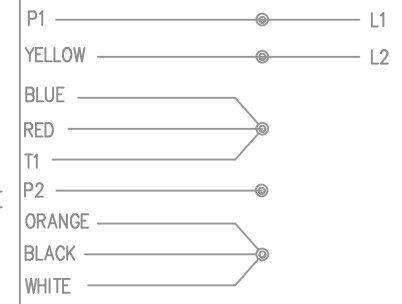


DUAL VOLTAGE
CAPACITOR START
OVERLOAD
SELECT ROTATION


LOW VOLT. CCW ROT.



HIGH VOLT. CCW ROT.



FOR CW ROTATION
EITHER VOLTAGE
INTERCHANGE RED
WITH BLACK

				TOLERANCES UNLESS SPECIFIED		 ELECTRIC MOTORS GEARMOTORS AND DRIVES	DRAWN NJS 09-03-2002			
				DEC.	INCHES		CHK ML 09-04-2002			
				.X	±.1		APPD GK 09-09-2002			
				.XX	±.02		SCALE 5=8			
				.XXX	±.005		REF			
1	NEW DRAWING	MU43222	NJS 09-09-2002	ML	.XXXX ±.0005	MAT'L.	FMF			
NO.	REVISION	BY & DATE	CHK	ANG	±7'30"	FINISH	PREV			
THIS DRAWING IN DESIGN AND DETAIL IS OUR PROPERTY AND MUST NOT BE USED EXCEPT IN CONNECTION WITH OUR WORK ALL RIGHTS OF DESIGN AND INVENTION ARE RESERVED THIS IS AN ELECTRONICALLY GENERATED DOCUMENT - DO NOT SCALE THIS PRINT				RFP	CAD FILE 102005-52-LE		SIZE	DRAWING NO.	PAGE OF	REV.
				DIST	WP	A		102005-52-LE	1	1



1051 CHEYENNE AVE.
GRAFTON, WI 53024
PH. 262-377-8810

CERTIFICATION DATA SHEET

CATALOG #: 117862.00

CONN. DIAGRAM: A-102005-52-LE

OUTLINE: A-100137LE-656

WINDING #: ZC406 3

MOUNTING: F1 ONLY

TYPICAL MOTOR PERFORMANCE DATA

HP	kW	SYNC. RPM	F.L. RPM	FRAME	ENCLOSURE	KVA CODE	DESIGN
1/3	0.25	1800	1725	56	TEFC	N	N

PH	Hz	VOLTS	AMPS	START TYPE	DUTY	INSL	S.F.	AMB°C
1	60	115/208-230	6.6/3.1-3.3	ACROSS THE LINE	CONTINUOUS	B3	1.15	40

FULL LOAD EFF:	55	3/4 LOAD EFF:	50.5	1/2 LOAD EFF:	43.2	GTD. EFF		ELEC. TYPE	
FULL LOAD PF:	60	3/4 LOAD PF:	50	1/2 LOAD PF:	42.7	50.5		CAP START IND RUN	

F.L. TORQUE	LOCKED ROTOR AMPS	L.R. TORQUE	B.D. TORQUE	F.L. RISE°C
16 OZ-FT	32.4 / 16.2	55.7 OZ-FT 348 %	44.6 OZ-FT 279 %	53

SOUND PRESSURE @ 3 FT.	SOUND POWER	ROTOR WK^2	MAX. WK^2	SAFE STALL TIME	STARTS / HOUR	APPROX. MOTOR WGT
0 dBA	10 dBA	0 LB-FT^2	0 LB-FT^2	10 SEC.	0	20 LBS.

*** SUPPLEMENTAL INFORMATION ***

DE BRACKET TYPE	ODE BRACKET TYPE	MOUNT TYPE	ORIENTATION	SEVERE DUTY	HAZARDOUS LOCATION	DRIP COVER	SCREENS	PAINT
STANDARD	STANDARD	RIGID	HORIZONTAL	FALSE	NONE	FALSE	NONE	GRAY (POWDER)

BEARINGS		GREASE	SHAFT TYPE	SPECIAL DE	SPECIAL ODE	SHAFT MATERIAL	FRAME MATERIAL
DE	ODE						
BALL	BALL	POLYREX EM	T	NONE	NONE	1144 STRESSPROOF (C-223)	ROLLED STEEL
6203	6203						

THERMO-PROTECTORS				THERMISTORS	CONTROL	SPACE HEATERS
THERMOSTATS	PROTECTORS	WDG RTDs	BRG RTDs			
NONE	MANUAL	NONE	NONE	NONE	FALSE	NONE VOLTS

* N O T E S *	INVERTER TORQUE: NONE INV. HP SPEED RANGE: NONE
	ENCODER: NONE NONE NONE NONE NONE PPR
	BRAKE: NONE NONE NONE P/N NONE NONE NONE FT-LB NONE V NONE Hz



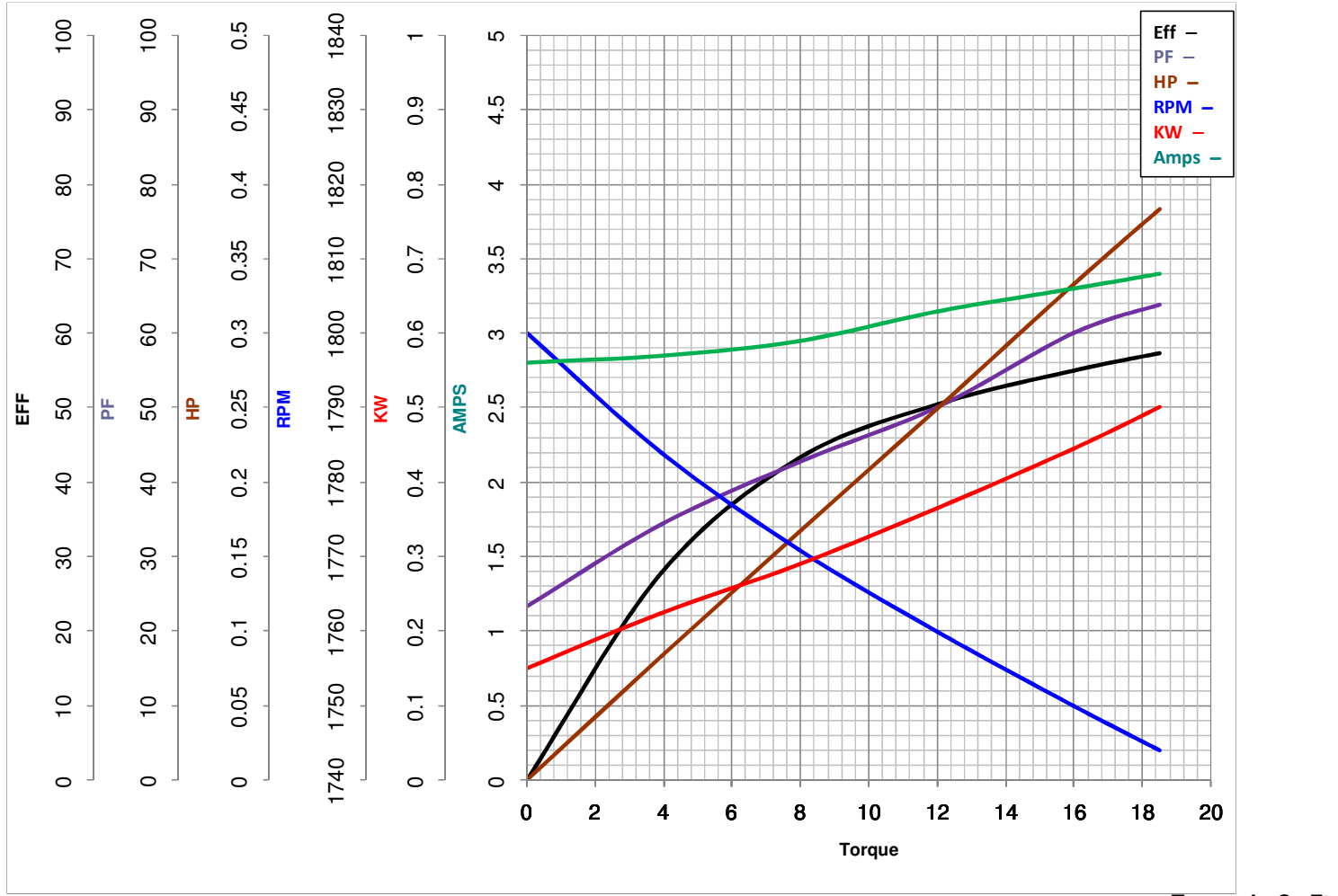
LEESON ELECTRIC CORPORATION
 TYPICAL PERFORMANCE CURVE for AC MOTOR

Model No 117862.00

Curve at 230 Volts HP 0.34 PHASE 1
60 HZ
0.333 HP VOLTS 115/208-230

Catalog No 117862.00

HZ 60 RPM 1725



FL TORQUE	<u>16</u>	Oz.Ft	FL AMPS	<u>6.6/3.1-3.3</u>
BD TORQUE	<u>44.6</u>	Oz.Ft	PU TORQUE	<u>39.9</u> Oz.Ft
LR TORQUE	<u>55.7</u>	Oz.Ft	LR AMPS	<u>16.2</u>
WINDING	ZC406-3		Date	3/14/2018