

# PRODUCT INFORMATION PACKET

Model No: 851150.00

Catalog No: 851150.00

General Purpose Motors, TEFC, 15 HP, 1 Ph, 60 Hz, 208-230 V, 1765 RPM, 256TZ



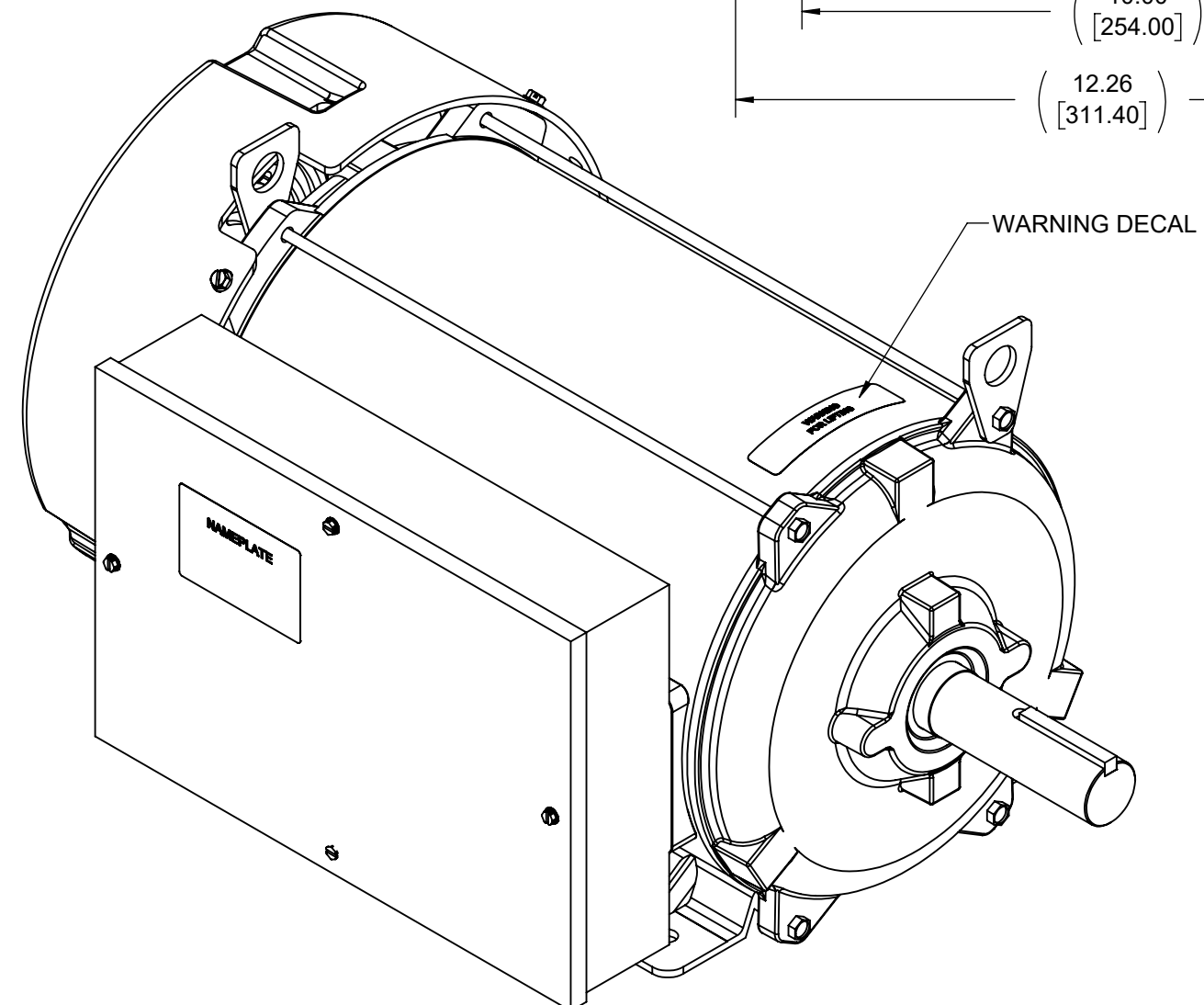
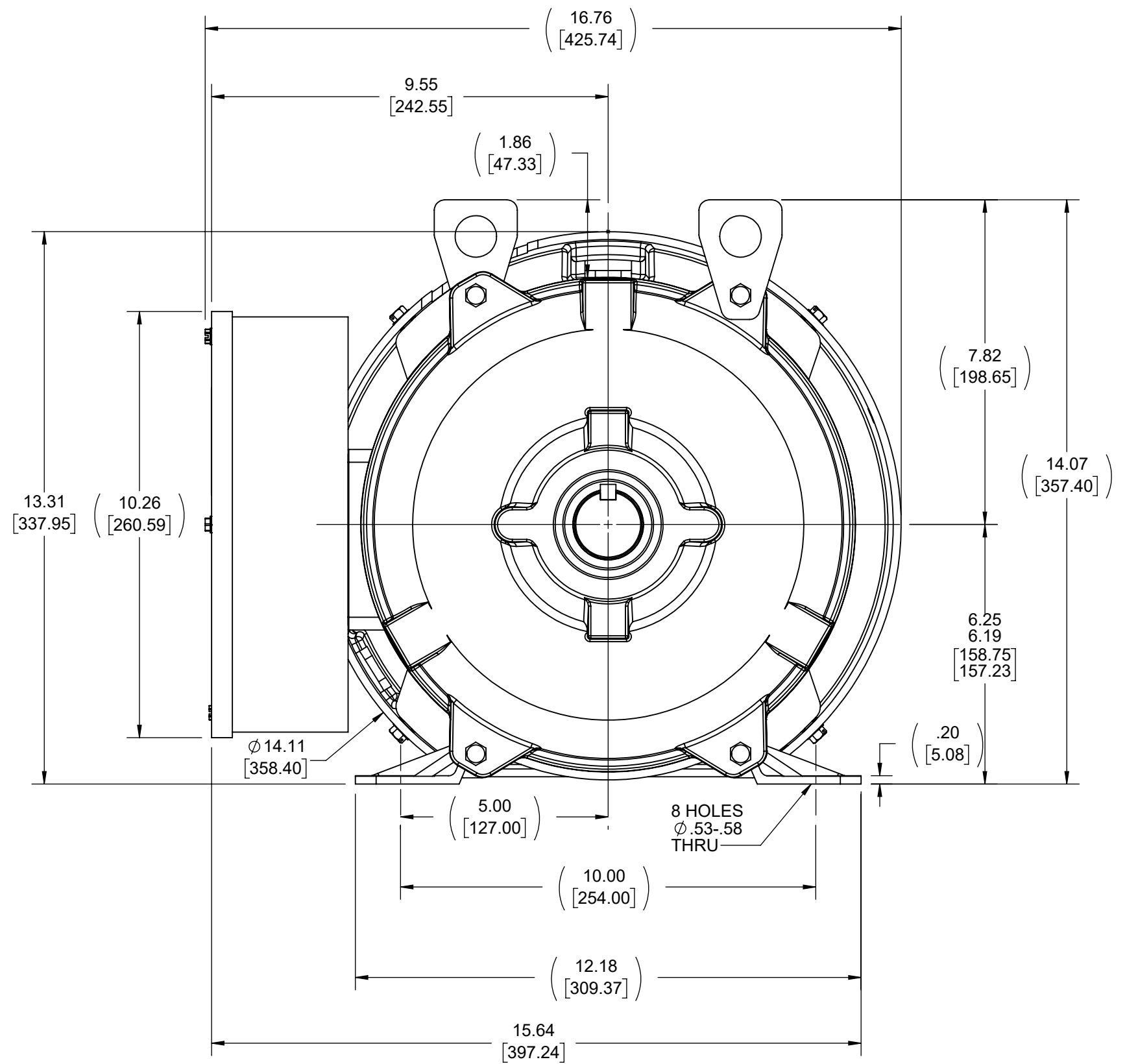
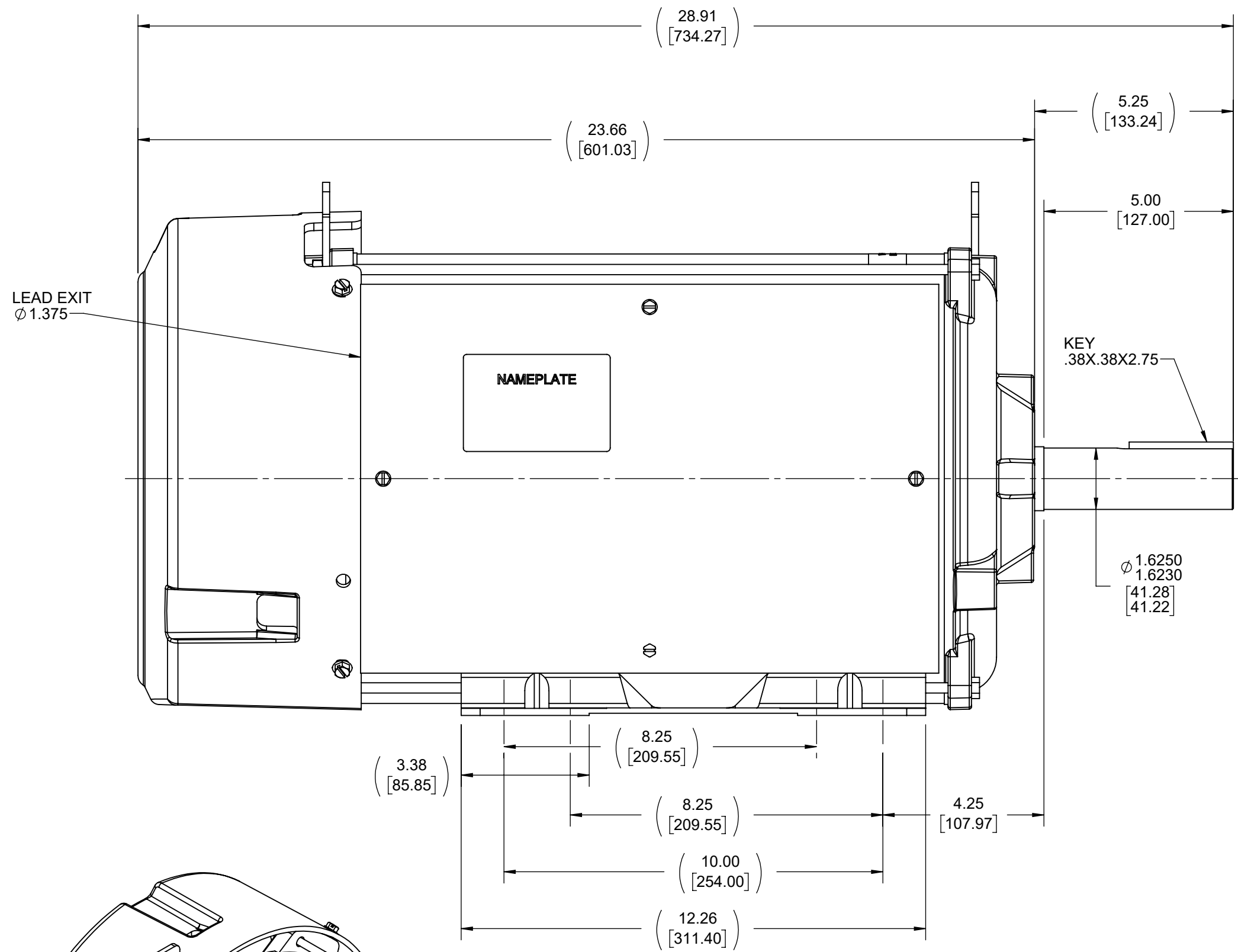
Regal and are trademarks of Regal Rexnord Corporation or one of its affiliated companies.  
©2022 Regal Rexnord Corporation, All Rights Reserved. MC017097E

### Nameplate Specifications

Output HP	15 Hp	Output KW	11.2 kW
Frequency	60 Hz	Voltage	208-230 V
Current	64.5-58.0 A	Speed	1765 rpm
Service Factor	1	Phase	1
Efficiency	89 %	Power Factor	94.6
Duty	Continuous	Insulation Class	F
Design Code	NO DESIGN CODE	KVA Code	F
Frame	256TZ	Enclosure	Totally Enclosed Fan Cooled
Thermal Protection	No Protection	Ambient Temperature	40 °C
Drive End Bearing Size	6309	Opp Drive End Bearing Size	6206
UL	Recognized	CSA	Y
CE	N	IP Code	43
Number of Speeds	1		

### Technical Specifications

Electrical Type	Capacitor Start Capacitor Run	Starting Method	Across The Line
Poles	4	Rotation	Selective Counterclockwise
Resistance Main	.089 Ohms	Mounting	Rigid Base
Motor Orientation	Horizontal	Drive End Bearing	Ball
Opp Drive End Bearing	Ball	Frame Material	Rolled Steel
Shaft Type	Single Special Extension	Overall Length	28.65 in
Frame Length	15.50 in	Shaft Diameter	1.625 in
Shaft Extension	5.25 in	Assembly/Box Mounting	F1 ONLY
Connection Drawing	D0000503-001	Outline Drawing	610-0007-001



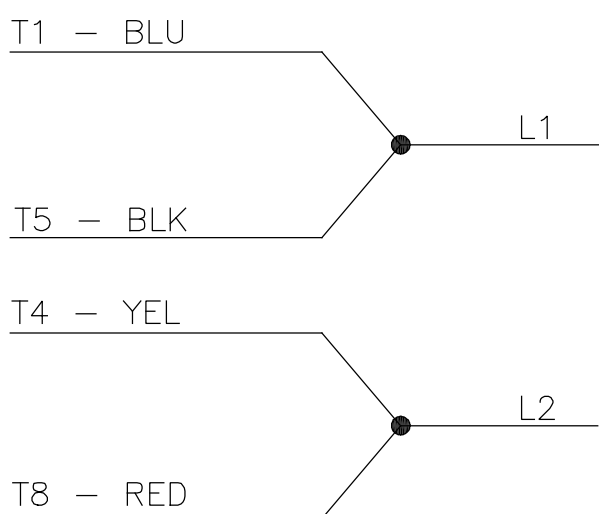
- NOTES:**
- SPECIAL CONDUIT BOX MOUNTING
  - MOTOR NAMEPLATE MUST HAVE WIRING DIAGRAM

DRAWING REVISION C	REVISION BY SAS	DATE 03/03/2021	TOLERANCES UNLESS OTHERWISE SPECIFIED: DEC. INCH mm ANGLE .X ±0.1 [±2.5] ±7° 30" .XX ±0.03 [±0.76] .XXX ±0.005 [±0.127] .XXXX ±0.0005 [±0.0127] REMOVE BURRS & BREAK SHARP EDGES: 003/015 [076/381] X 45° CORNER FILLETS: R.02 [51] MACHINED SURFACES: 200 INCH mm 5.1 mm SHOWN IN [BRACKETS]	DRAWN BY M.PLACE	DATE 07-19-2016	APPROVED BY S.LALSARE	DATE 07-20-2016	REFERENCE OLPR153548	THIRD ANGLE PROJECTION	SIZE C	DRAWING NUMBER 610-0007	SHEET 1 OF 1
ECO DESCRIPTION UPDATED FAN GUARD ASSY			REGAL™ Regal Beloit America, Inc.			DESCRIPTION OUTLINE 256TZ TEFC RIGID			PROCESS/FINISH			
<small>COPYRIGHT REGAL BELOIT AMERICA, INC. ALL RIGHTS RESERVED. PROPRIETARY AND CONFIDENTIAL INFORMATION - THIS DOCUMENT IS THE PROPERTY OF REGAL BELOIT AMERICA, INC. ("OWNER") AND CONTAINS OWNER'S PROPRIETARY INFORMATION. ANY PERSON, CORPORATION OR OTHER FIRM RECEIVING IT IS DEEMED, BY RECEIVING IT, TO AGREE THAT IT, AND/OR ANY PART OF IT, SHALL NOT BE DISCLOSED TO ANY PERSON, CORPORATION OR OTHER ENTITY, DUPLICATED, AND/OR USED, EXCEPT AS EXPRESSLY APPROVED IN WRITING IN ADVANCE BY OWNER. THIS DOCUMENT SHALL BE RETURNED TO OWNER UPON REQUEST. IT MAY BE SUBJECT TO CERTAIN RESTRICTIONS UNDER APPLICABLE EXPORT CONTROL LAWS AND REGULATIONS.</small>												

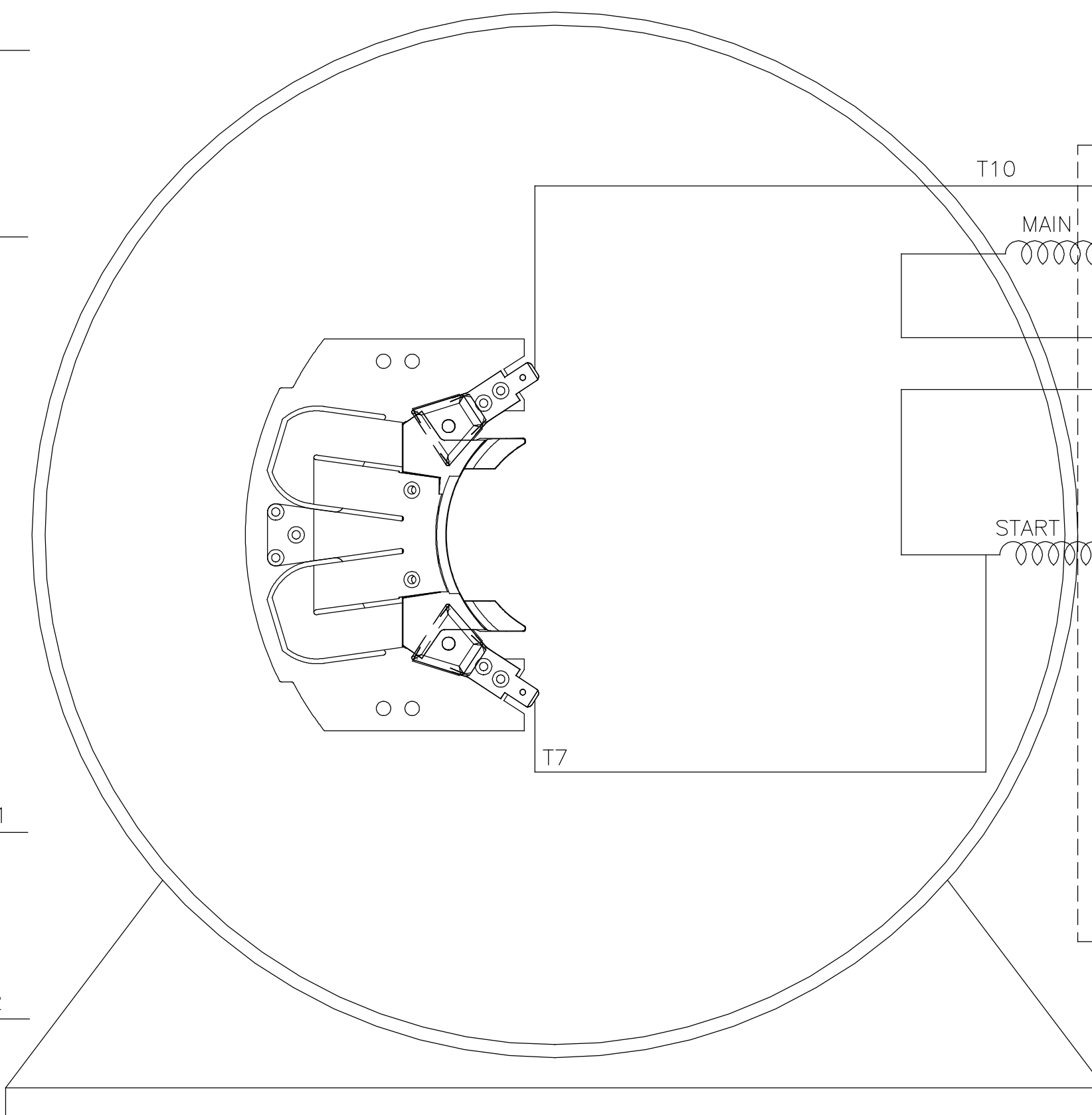
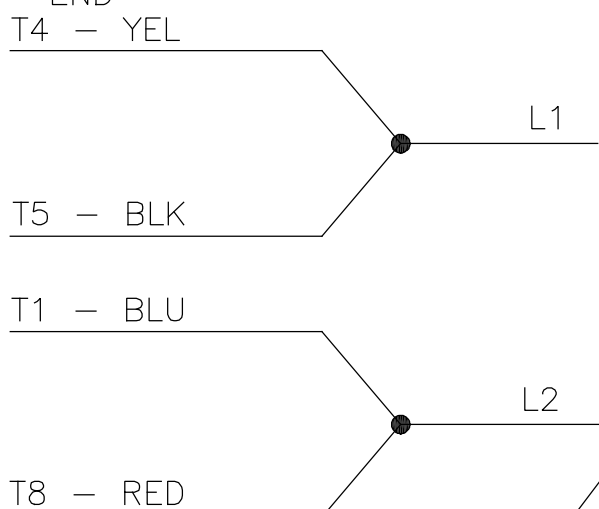
REV	ECO	REV BY	DATE	APPD	DATE
G	ECO-0135426	MVG	11/28/2017	MSD	11/28/2017

C.W. ROTATION  
FACING LEAD  
END

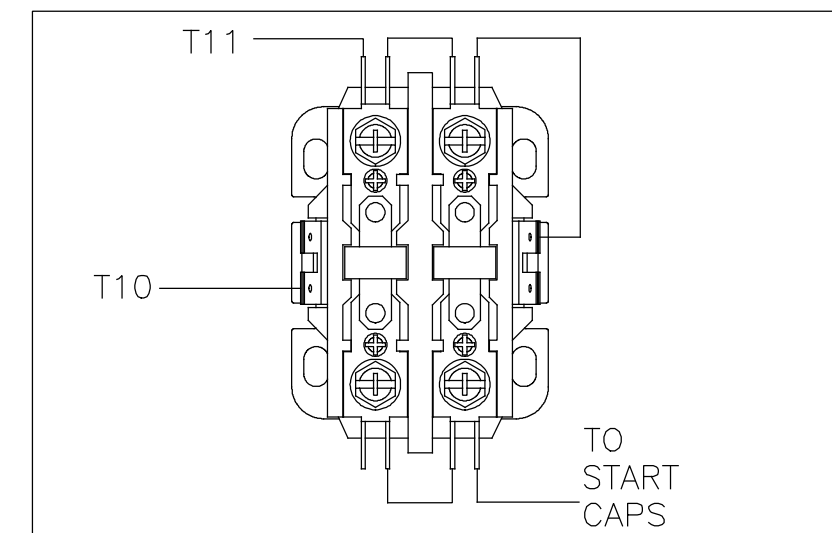
SINGLE VOLTAGE — CAPACITOR START — CAPACITOR RUN  
FIXED ROTATION



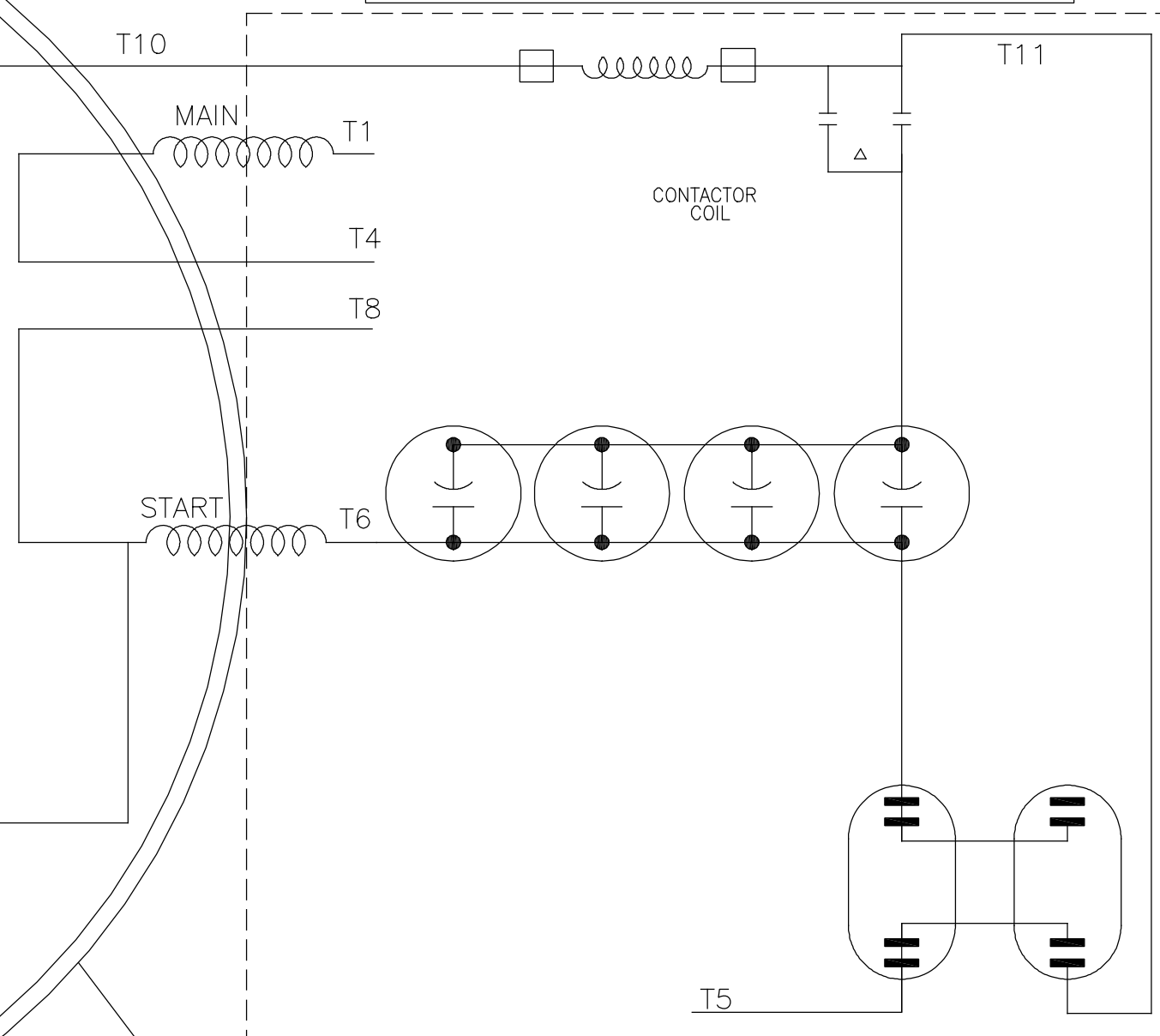
C.C.W. ROTATION  
FACING LEAD  
END



VIEW OF TERMINAL END



△△ SCREW SIDE  
△ SPADE SIDE



CONNECT:  
START CAPACITORS  
IN PARALLEL.  
RUN CAPACITORS  
IN PARALLEL.

<p>GEOMETRIC CHARACTERISTICS &amp; SYMBOLS</p> <ul style="list-style-type: none"> <li>▮ FLATNESS</li> <li>— STRAIGHTNESS</li> <li>∠ ANGULARITY</li> <li>⊥ PERPENDICULARITY (SQUARENESS)</li> <li>// PARALLELISM</li> <li>○ ROUNDNESS (CIRCULARITY)</li> <li>⊘ CYLINDRICITY</li> <li>△ PROFILE OF ANY SURFACE</li> <li>∩ PROFILE OF ANY LINE</li> <li>↑ RUNOUT</li> <li>⊕ TRUE POSITION</li> <li>◎ CONCENTRICITY</li> <li>≡ SYMMETRY</li> </ul> <p>ASME Y14.5M 1994</p>	<p>UNLESS OTHERWISE SPECIFIED DIM. TOLERANCES ARE AS FOLLOWS:</p> <table border="0"> <tr> <td>INCH</td> <td>X</td> <td>XX</td> <td>XXX</td> <td>XXXX</td> </tr> <tr> <td></td> <td>±.1</td> <td>±.02</td> <td>±.005</td> <td>±.0005</td> </tr> <tr> <td>mm</td> <td>±0.5</td> <td>±0.13</td> <td>±0.013</td> <td></td> </tr> </table> <p>ANG. ±.50 DEG REMOVE BURRS &amp; BREAK SHARP EDGES: INCH .003-.015 mm 0.1-0.4 CORNER FILLETS TO: INCH .020 mm 0.5 MACHINE SURFACES: INCH <math>\sqrt{3}</math> mm <math>\sqrt{3}</math></p> <p>METRIC DIMS. SHOWN IN [BRACKETS]</p>	INCH	X	XX	XXX	XXXX		±.1	±.02	±.005	±.0005	mm	±0.5	±0.13	±0.013	
INCH	X	XX	XXX	XXXX												
	±.1	±.02	±.005	±.0005												
mm	±0.5	±0.13	±0.013													

DR BY: H.ZHANG 02/26/2014

APPD:

THIRD ANGLE PROJECTION EDS DATE 11-11-2011  
FORMAT REV H

CONFIDENTIAL: THIS DRAWING AND ITS INFORMATION ARE THE EXCLUSIVE AND CONFIDENTIAL PROPERTY OF REGAL-BELOIT CORPORATION AND ARE NOT TO BE DISCLOSED, DUPLICATED, DISTRIBUTED OR OTHERWISE USED WITHOUT THE WRITTEN CONSENT OF REGAL-BELOIT CORPORATION. -ALL RIGHTS RESERVED.



DESCRIPTION  
Connection Diagram 180-210 Switch

SIZE C DWG NO D0000503-001

SCALE NONE SHEET 1



1051 CHEYENNE AVE.  
GRAFTON, WI 53024  
PH. 262-377-8810

**CERTIFICATION DATA SHEET**

**CONN. DIAGRAM:** D0000503-001  
**OUTLINE:** 610-0007-001  
**WINDING #:** BG11402 R1 1

**CATALOG #:** 851150.00  
**MOUNTING:** F1 ONLY

**TYPICAL MOTOR PERFORMANCE DATA**

HP	kW	SYNC. RPM	F.L. RPM	FRAME	ENCLOSURE	KVA CODE	DESIGN
15	11.2	1800	1765	256TZ	TEFC	F	NO DESIGN CODE

PH	Hz	VOLTS	AMPS	START TYPE	DUTY	INSL	S.F.	AMB°C
1	60	208-230	64.5-58	ACROSS THE LINE	CONTINUOUS	F4	1.0	40

FULL LOAD EFF:	89	3/4 LOAD EFF:	88.6	1/2 LOAD EFF:	86	GTD. EFF		ELEC. TYPE	
FULL LOAD PF:	94.6	3/4 LOAD PF:	94.3	1/2 LOAD PF:	92.2	86.5		CAP START CAP RUN	

F.L. TORQUE	LOCKED ROTOR AMPS	L.R. TORQUE	B.D. TORQUE	F.L. RISE°C
44.6 LB-FT	335	150 LB-FT 335 %	102 LB-FT 228 %	105

SOUND PRESSURE @ 3 FT.	SOUND POWER	ROTOR WK^2	MAX. WK^2	SAFE STALL TIME	STARTS / HOUR	APPROX. MOTOR WGT
0 dBA	10 dBA	0 LB-FT^2	150 LB-FT^2	10 SEC.	3	0 LBS.

**\*\*\* SUPPLEMENTAL INFORMATION \*\*\***

DE BRACKET TYPE	ODE BRACKET TYPE	MOUNT TYPE	ORIENTATION	SEVERE DUTY	HAZARDOUS LOCATION	DRIP COVER	SCREENS	PAINT
STANDARD	STANDARD	RIGID	HORIZONTAL	FALSE	NONE	FALSE	NONE	GRAY - EPOXY

BEARINGS		GREASE	SHAFT TYPE	SPECIAL DE	SPECIAL ODE	SHAFT MATERIAL	FRAME MATERIAL
DE	ODE						
BALL	BALL	POLYREX EM	SGL SPL EXT	1.625 x 5.00 IN SEK	NONE	1045 HOT ROLLED (C-204)	ROLLED STEEL
6309	6206						

THERMO-PROTECTORS				THERMISTORS	CONTROL	SPACE HEATERS
THERMOSTATS	PROTECTORS	WDG RTDs	BRG RTDs			
NONE	NOT	NONE	NONE	NONE	FALSE	NONE VOLTS

\*  
N  
O  
T  
E  
S  
\*

<b>INVERTER TORQUE:</b> NONE
<b>INV. HP SPEED RANGE:</b> NONE
<b>ENCODER:</b> NONE
NONE NONE
NONE NONE PPR
<b>BRAKE:</b> NONE NONE
NONE P/N NONE
NONE NONE
NONE FT-LB NONE V NONE Hz



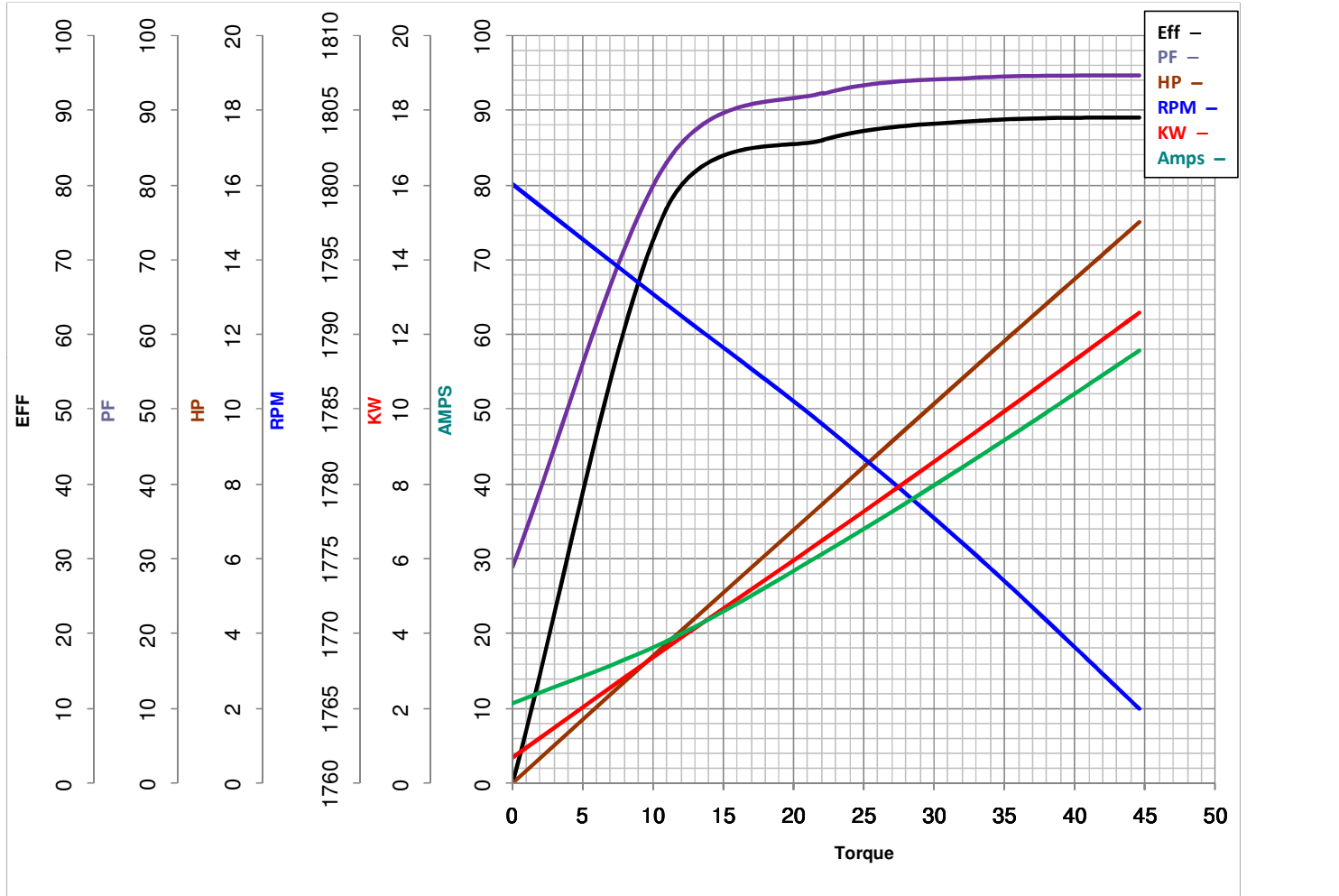
**LEESON ELECTRIC CORPORATION**  
 TYPICAL PERFORMANCE CURVE for AC MOTOR

Model No 851150.00

Curve at 230 Volts      HP 15.00      PHASE 1  
60 HZ  
15 HP      VOLTS 208-230

Catalog No 851150.00

HZ 60      RPM 1765



FL TORQUE 44.6 Lb.Ft  
 BD TORQUE 102.0 Lb.Ft  
 LR TORQUE 150 Lb.Ft

FL AMPS 64.5-58  
 PU TORQUE 68.0 Lb.Ft  
 LR AMPS 335

WINDING BG11402-1

Date 3/27/2018