

# PRODUCT INFORMATION PACKET

Model No: 140414.00

Catalog No: 140414.00

10 HP Agricultural Motor, 1 phase, 1800 RPM, 230 V, 215T Frame, TEFC



Regal and are trademarks of Regal Rexnord Corporation or one of its affiliated companies.  
©2022 Regal Rexnord Corporation, All Rights Reserved. MC017097E

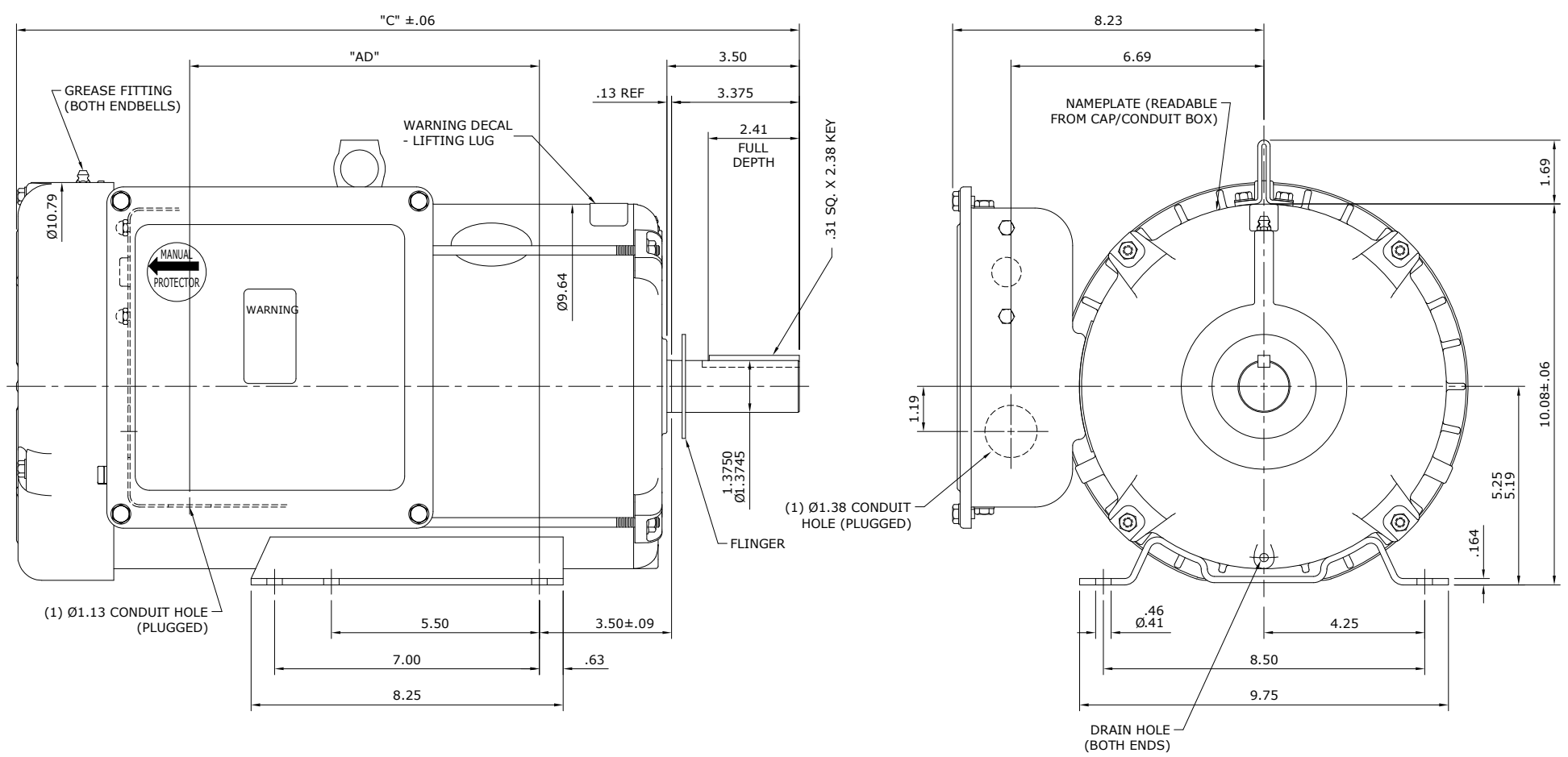
### Nameplate Specifications

Output HP	<b>10 Hp</b>	Output KW	<b>7.5 kW</b>
Frequency	<b>60 Hz</b>	Voltage	<b>230 V</b>
Current	<b>40.0 A</b>	Speed	<b>1740 rpm</b>
Service Factor	<b>1.15</b>	Phase	<b>1</b>
Efficiency	<b>86.5 %</b>	Power Factor	<b>95</b>
Duty	<b>Continuous</b>	Insulation Class	<b>F</b>
Design Code	<b>NO DESIGN CODE</b>	KVA Code	<b>H</b>
Frame	<b>215T</b>	Enclosure	<b>Totally Enclosed Fan Cooled</b>
Thermal Protection	<b>Manual</b>	Ambient Temperature	<b>40 °C</b>
Drive End Bearing Size	<b>6207</b>	Opp Drive End Bearing Size	<b>6206</b>
UL	<b>Recognized</b>	CSA	<b>Y</b>
CE	<b>N</b>	IP Code	<b>43</b>
Number of Speeds	<b>1</b>		

### Technical Specifications

Electrical Type	<b>Capacitor Start Capacitor Run</b>	Starting Method	<b>Across The Line</b>
Poles	<b>4</b>	Rotation	<b>Selective Counterclockwise</b>
Resistance Main	<b>.114 Ohms</b>	Mounting	<b>Rigid Base</b>
Motor Orientation	<b>Horizontal</b>	Drive End Bearing	<b>Ball</b>
Opp Drive End Bearing	<b>Ball</b>	Frame Material	<b>Rolled Steel</b>
Shaft Type	<b>T</b>	Overall Length	<b>20.71 in</b>
Frame Length	<b>14.00 in</b>	Shaft Diameter	<b>1.375 in</b>
Shaft Extension	<b>3.38 in</b>	Assembly/Box Mounting	<b>F1 ONLY</b>
Connection Drawing	<b>005461.02</b>	Outline Drawing	<b>037596-1400</b>

This is an uncontrolled document once printed or downloaded and is subject to change without notice. Date Created:06/08/2022



**SPECIAL FEATURES:**  
 BRASS NAMEPLATE  
 GASKETS THROUGHOUT  
 FLINGER ON SHAFT  
 DRAIN HOLES IN BOTH ENDBELLS  
 MANUAL OVERLOAD PROTECTOR  
 GREASE FITTINGS IN BOTH ENDBELLS

DASH NO.	"C"	"AD"
1200	18.71	7.25
1250	19.21	7.75
1300	19.71	8.25
1350	20.21	8.75
1400	20.71	9.25
1450	21.21	9.75
1500	21.71	10.25

DRAWING REVISION	REVISION BY	REV DATE / @ DATE
D	KR	11/12/2021
REQUEST NUMBER	APPROVED BY	DATE
NMR-0210751	MN	11/12/2021
REQUEST NUMBER DESCRIPTION		
REGAL TEMPLATE UPDATED		
<small>COPYRIGHT (PER REVISION DATE) REGAL BELLOIT AMERICA, INC. ALL RIGHTS RESERVED. PROPRIETARY AND CONFIDENTIAL INFORMATION - THIS DOCUMENT IS THE PROPERTY OF REGAL BELLOIT AMERICA, INC. (OWNER) AND CONTAINS OWNER'S PROPRIETARY INFORMATION. ANY PERSON, CORPORATION OR OTHER FIRM RECEIVING IT IS DEEMED, BY RECEIVING IT, TO AGREE THAT IT, AND/OR ANY PART OF IT, SHALL NOT BE DISCLOSED TO ANY PERSON, CORPORATION OR OTHER ENTITY, DUPLICATED, AND/OR USED, EXCEPT AS EXPRESSLY APPROVED IN WRITING IN ADVANCE BY OWNER. THIS DOCUMENT SHALL BE RETURNED TO OWNER UPON REQUEST. IT MAY BE SUBJECT TO CERTAIN RESTRICTIONS UNDER APPLICABLE EXPORT CONTROL LAWS AND REGULATIONS.</small>		

**TOLERANCES (EXCEPT AS NOTED):**

DEC.	INCH	MM
.X	± 0.1	(± 3)
.XX	± 0.03	(± 0.8)
.XXX	± 0.005	(± 0.13)
.XXXX	± 0.0005	(± 0.013)

REMOVE BURRS & BREAK SHARP EDGES: .003/.015 (.08/.38) X 45  
 CORNER FILLETS: R.02 (.5)  
 MACHINED SURFACES:  $125 \sqrt{\text{mm}}$   $32 \sqrt{\text{INCH}}$

mm DIMENSIONS IN [BRACKETS] ARE FOR REFERENCE ONLY

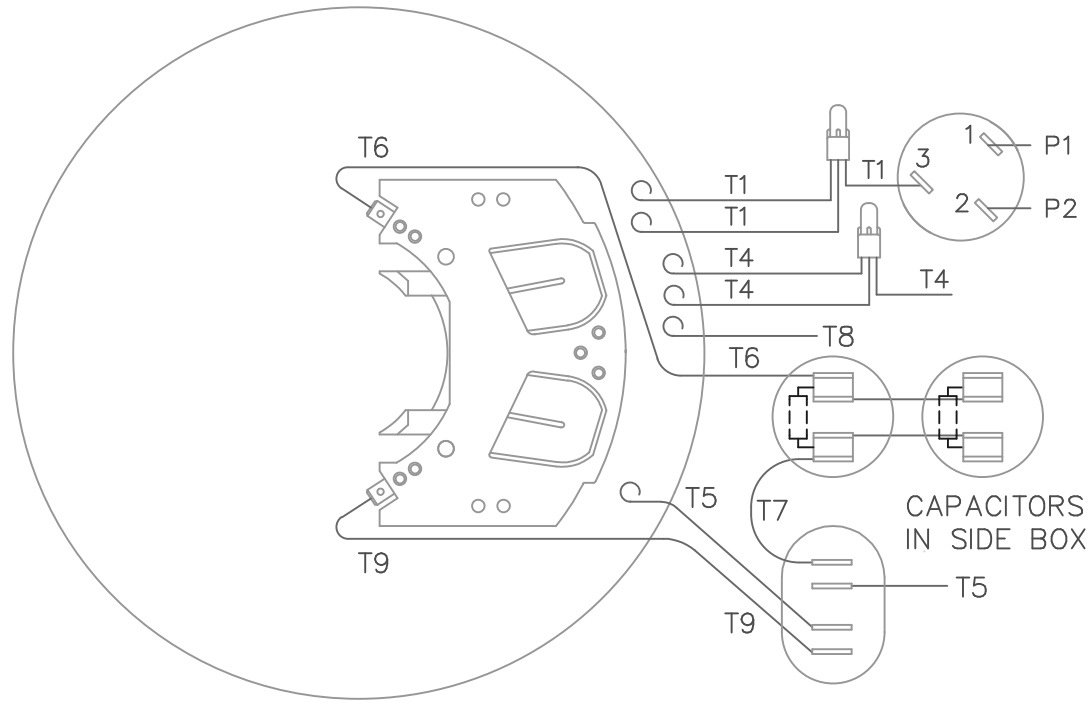
DRAWN BY	RDW
DATE	6/3/02
APPROVED BY	SW
DATE	6/3/02
REFERENCE	140130
THIRD ANGLE PROJECTION	

**Regal Rexnord** Regal Beloit America, Inc.

DESCRIPTION: **OUTLINE**  
 210T FRAME - TEFC - RIGID

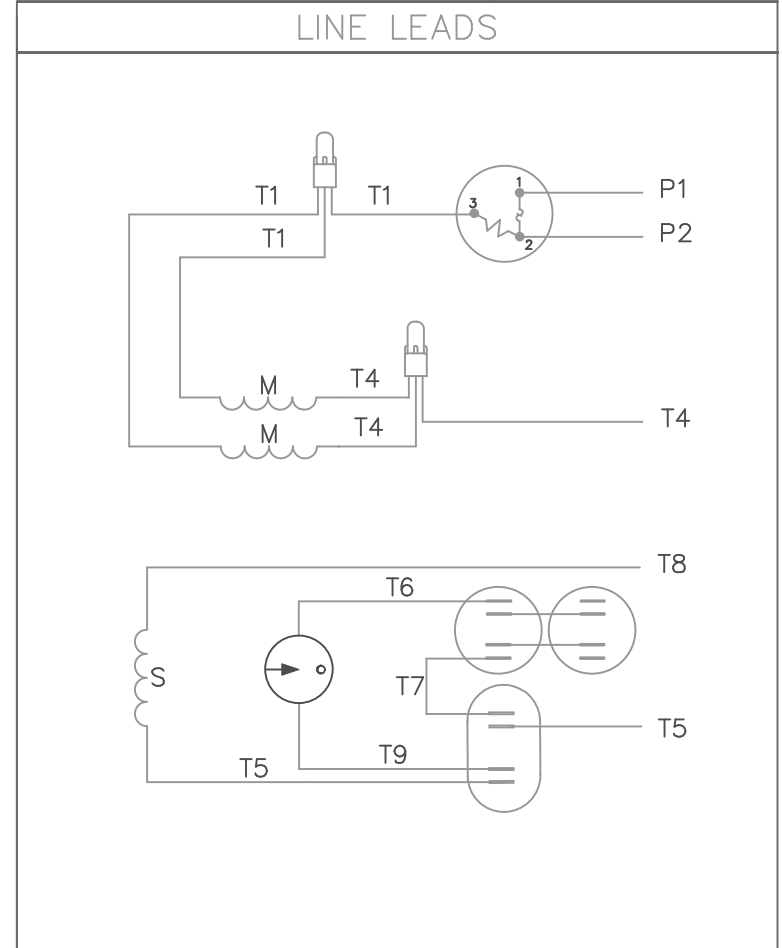
MATERIAL: **FARM DUTY** PROCESS/FINISH

DRAWING NUMBER: **037596** SHEET 1 OF 1




VIEW FROM OUTSIDE OF MOTOR AT SWITCH END

CAUTION:  
LEAD WIRE INSULATION TO EXTEND MIN. OF 1/4" INTO CONNECTOR INSULATION



ROTATION FACING LEAD END	L1	L2	JOIN & INSULATE
C.C.W.	P1	T4,T5	P2,T8
C.W.	P1	T4,T8	P2,T5

				TOLERANCES UNLESS SPECIFIED		 ELECTRIC MOTORS GEARMOTORS AND DRIVES	DRAWN RDW 10/25/02	
				DEC.	INCHES		CHK	
				.X	±.1		APPD	
				.XX	±.01		SCALE 1=2	
				.XXX	±.005		REF 005461-01	
				.XXXX	±.0005	FMF 140706		
NO.	REVISION	BY & DATE	CHK	ANG	±1/2"	FINISH	PREV	
THIS DRAWING IN DESIGN AND DETAIL IS OUR PROPERTY AND MUST NOT BE USED EXCEPT IN CONNECTION WITH OUR WORK ALL RIGHTS OF DESIGN AND INVENTION ARE RESERVED THIS IS AN ELECTRONICALLY GENERATED DOCUMENT - DO NOT SCALE THIS PRINT				RFP	10/25/02	CAD FILE	00546102	SIZE A
				DIST		DRAWING NO. 005461-02		REV.



**1051 CHEYENNE AVE.  
GRAFTON, WI 53024  
PH. 262-377-8810**

**CERTIFICATION DATA SHEET**

CATALOG #: 140414.00

CONN. DIAGRAM: 005461.02

OUTLINE: 037596-1400

MOUNTING: F1 ONLY

WINDING #: K9427 FR 2 A

**TYPICAL MOTOR PERFORMANCE DATA**

HP	kW	SYNC. RPM	F.L. RPM	FRAME	ENCLOSURE	KVA CODE	DESIGN
10	7.50	1800	1740	215T	TEFC	H	NO DESIGN CODE

PH	Hz	VOLTS	AMPS	START TYPE	DUTY	INSL	S.F.	AMB°C
1	60	230	40	ACROSS THE LINE	CONTINUOUS	F4	1.15	40

FULL LOAD EFF:	86.5	3/4 LOAD EFF:	86.2	1/2 LOAD EFF:	84.1	GTD. EFF	ELEC. TYPE
FULL LOAD PF:	95	3/4 LOAD PF:	96.4	1/2 LOAD PF:	94.6	84	CAP START CAP RUN

F.L. TORQUE	LOCKED ROTOR AMPS	L.R. TORQUE	B.D. TORQUE	F.L. RISE°C
30 LB-FT	295	117 LB-FT 390 %	69.5 LB-FT 232 %	92

SOUND PRESSURE @ 3 FT.	SOUND POWER	ROTOR WK^2	MAX. WK^2	SAFE STALL TIME	STARTS / HOUR	APPROX. MOTOR WGT
0 dBA	10 dBA	1.157 LB-FT^2	1.2 LB-FT^2	10 SEC.	0	156 LBS.

**\*\*\* SUPPLEMENTAL INFORMATION \*\*\***

DE BRACKET TYPE	ODE BRACKET TYPE	MOUNT TYPE	ORIENTATION	SEVERE DUTY	HAZARDOUS LOCATION	DRIP COVER	SCREENS	PAINT
STANDARD	STANDARD	RIGID	HORIZONTAL	FALSE	NONE	FALSE	NONE	RED - LEESON FARM DUTY

BEARINGS		GREASE	SHAFT TYPE	SPECIAL DE	SPECIAL ODE	SHAFT MATERIAL	FRAME MATERIAL
DE	ODE						
BALL	BALL	POLYREX EM	T	NONE	NONE	AISI 1045 (C-240)	ROLLED STEEL
6207	6206						

THERMO-PROTECTORS				THERMISTORS	CONTROL	SPACE HEATERS
THERMOSTATS	PROTECTORS	WDG RTDs	BRG RTDs			
NONE	MANUAL	NONE	NONE	NONE	FALSE	NONE VOLTS

\*  
N  
O  
T  
E  
S

<b>INVERTER TORQUE:</b> NONE
<b>INV. HP SPEED RANGE:</b> NONE
<b>ENCODER:</b> NONE
NONE NONE
NONE NONE PPR
<b>BRAKE:</b> NONE NONE
NONE P/N NONE
NONE NONE
NONE FT-LB NONE V NONE HZ

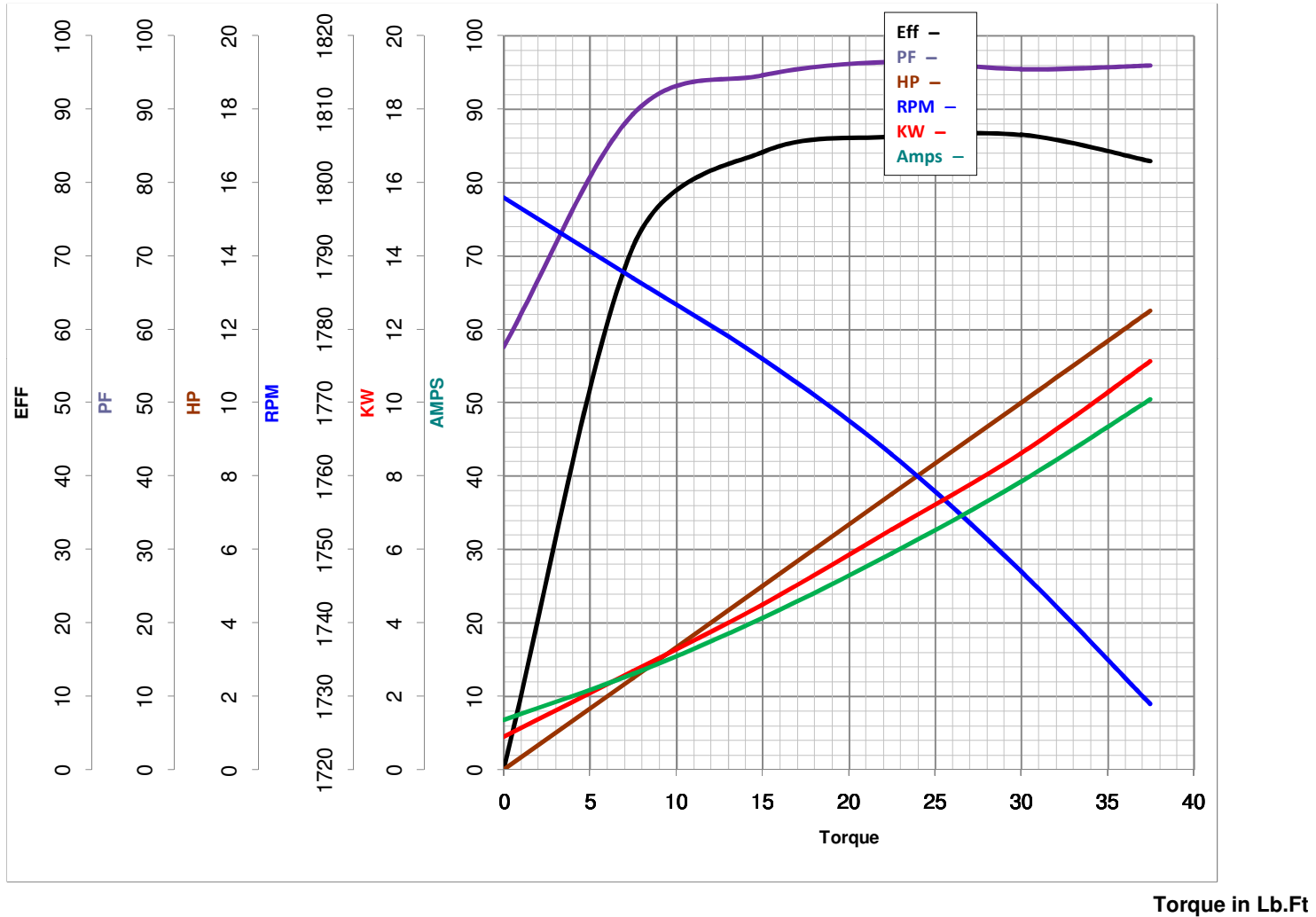


**LEESON ELECTRIC CORPORATION**  
TYPICAL PERFORMANCE CURVE for AC MOTOR

Model No 140414.00

Catalog No 140414.00

Curve at 230 Volts      HP 10.00      PHASE 1  
60 HZ  
10 HP      VOLTS 230  
   HZ 60      RPM 1740



FL TORQUE 30 Lb.Ft  
 BD TORQUE 69.5 Lb.Ft  
 LR TORQUE 117 Lb.Ft

FL AMPS 40  
 PU TORQUE 66.0 Lb.Ft  
 LR AMPS 295

WINDING K9427-2

Date 4/23/2018