

PRODUCT INFORMATION PACKET

Model No: 141427.00

Catalog No: 141427.00

7 1/2HP..1740RPM.215TZ.TEFC./230V.1PH.60HZ.CONT.40C.1.15SF.RIGID.P215K17FB4K.....AG - FARM DUTY/GE
NERAL PURPOSE.MANUAL.....

Regal and are trademarks of Regal Rexnord Corporation or one of its affiliated companies.
©2022 Regal Rexnord Corporation, All Rights Reserved. MC017097E



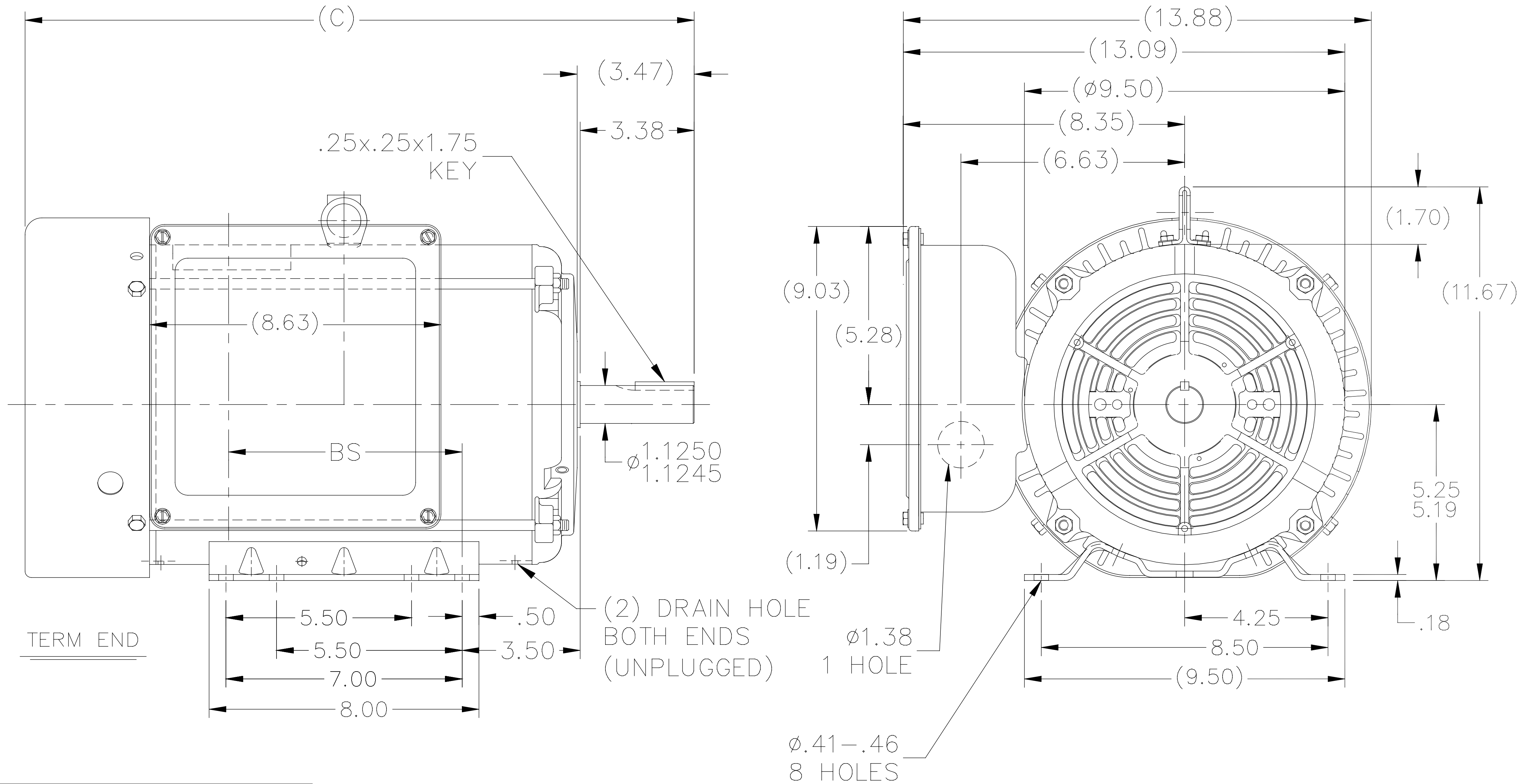
Nameplate Specifications

| | | | |
|------------------------|------------------------------------|----------------------------|------------------------------------|
| Output HP | 7.50 Hp | Output KW | 5.6 kW |
| Frequency | 60 Hz | Voltage | 230 V |
| Current | 30.5 A | Speed | 1750 rpm |
| Service Factor | 1.15 | Phase | 1 |
| Efficiency | 85.5 % | Power Factor | 95 |
| Duty | Continuous | Insulation Class | F |
| Design Code | NO DESIGN CODE | KVA Code | K |
| Frame | 215TZ | Enclosure | Totally Enclosed Fan Cooled |
| Thermal Protection | Manual | Ambient Temperature | 40 °C |
| Drive End Bearing Size | 6307 | Opp Drive End Bearing Size | 6206 |
| UL | Recognized (Not Protector) | CSA | Y |
| CE | N | IP Code | 43 |
| Number of Speeds | 1 | | |

Technical Specifications

| | | | |
|-----------------------|--------------------------------------|-----------------------|-----------------------------------|
| Electrical Type | Capacitor Start Capacitor Run | Starting Method | Across The Line |
| Poles | 4 | Rotation | Selective Counterclockwise |
| Resistance Main | .215 Ohms | Mounting | Rigid Base |
| Motor Orientation | Horizontal | Drive End Bearing | Ball |
| Opp Drive End Bearing | Ball | Frame Material | Rolled Steel |
| Shaft Type | Single Special Extension | Overall Length | 21.09 in |
| Frame Length | 12.40 in | Shaft Diameter | 1.125 in |
| Shaft Extension | 3.47 in | Assembly/Box Mounting | F1 ONLY |
| Connection Drawing | EE9048RC-LE | Outline Drawing | SS86671-1240 |

SS86671



| DASH | FRAME | C | BS |
|------|---------|-------|------|
| 965 | 213T | 18.34 | 5.42 |
| 1115 | 213/15T | 19.84 | 6.92 |
| 1240 | 215T | 21.09 | 8.17 |

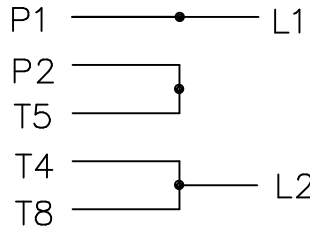
NOTES:

1. NAMEPLATE TO BE READ FROM C'BOX SIDE OF MOTOR.
2. DASH 965 TO BE READ FROM OPPOSITE SHAFT END.

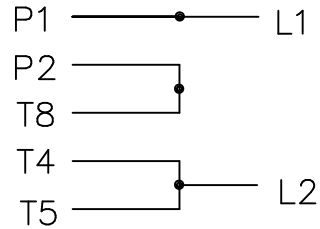
| NO. | REVISION | BY & DATE | CHK | TOLERANCES UNLESS SPECIFIED | | REGAL TM Regal Beloit America, Inc. | DRAWN MH 04-17-1997 | | | |
|--|-----------------------|---------------------------|-----|-----------------------------|--------|---|---------------------|---------------------|---------|--------|
| | | | | DEC. | INCHES | | | | | |
| | | | | .X | ±.1 | | CHK ML 04-18-1997 | | | |
| | | | | .XX | ±.03 | | APPD DN 04-18-1997 | | | |
| 8 | DRAIN HOLES ADDED | KIR 02/08/16 | SS | .XXX | ±.005 | TITLE OUTLINE - STEEL C' BOX 210 FR. - BB - TS - TEFC 1φ | SCALE 7=32 | | | |
| 7 | REVISED 'B' DIMENSION | 08-0118 RJW 01-22-2008 | ML | .XXXX | ±.0005 | MAT'L. | REF | | | |
| | | | | ANG | ±7'30" | FINISH | FMF | | | |
| | | | RFP | | | CAD FILE ss86671 | PREV | | | |
| THIS DRAWING IN DESIGN AND DETAIL IS OUR PROPERTY AND MUST NOT BE USED EXCEPT IN CONNECTION WITH OUR WORK ALL RIGHTS OF DESIGN AND INVENTION ARE RESERVED THIS IS AN ELECTRONICALLY GENERATED DOCUMENT - DO NOT SCALE THIS PRINT | | | | | | | SIZE A | DRAWING NO. SS86671 | PAGE OF | REV. 8 |
| | | | | | | | DIST LB | | | |

CONNECT:
START CAPACITORS IN PARALLEL

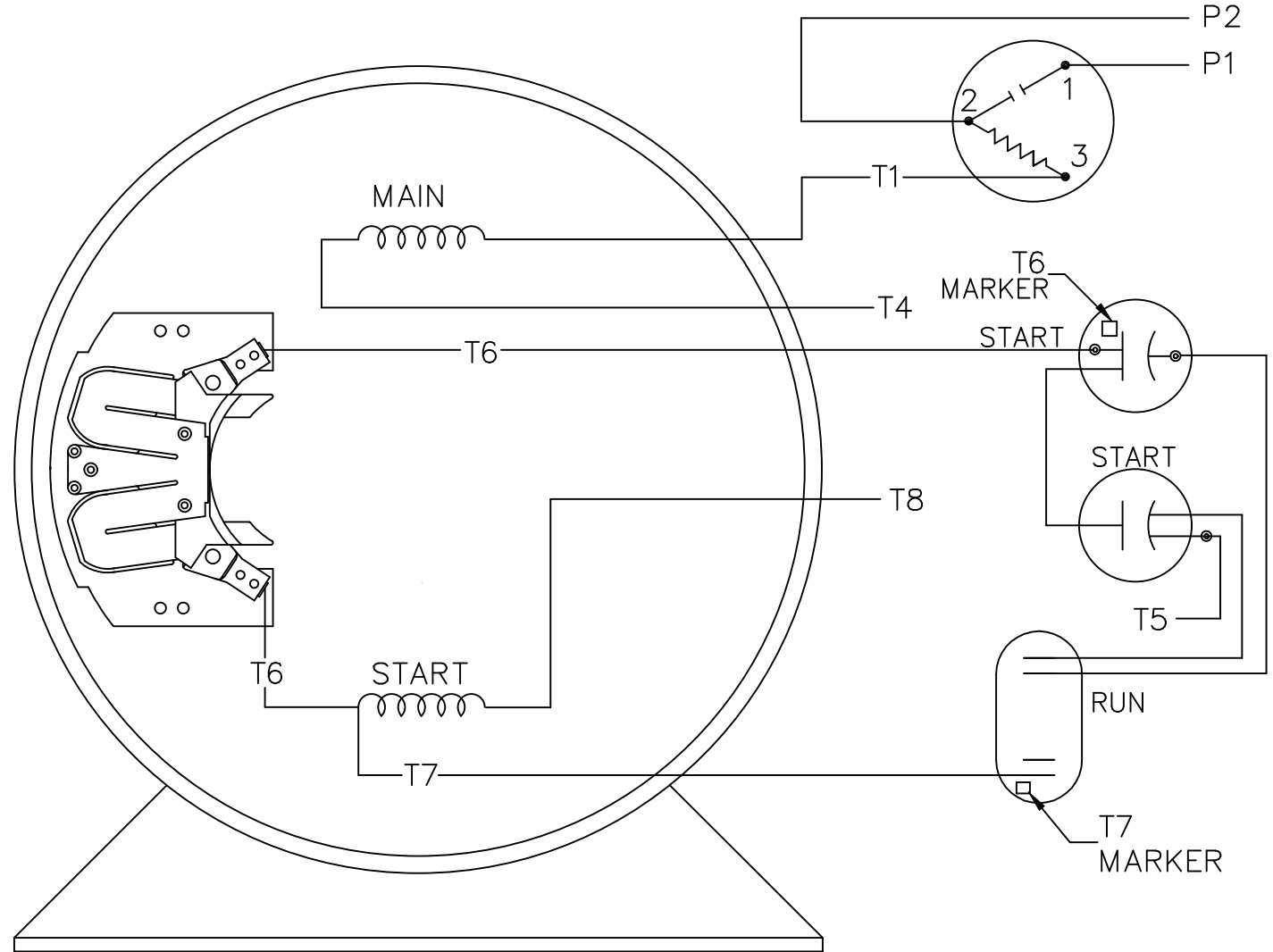
C.W. ROTATION



C.C.W. ROTATION



SINGLE VOLTAGE
CAPACITOR START
CAPACITOR RUN
REVERSIBLE



VIEW OF TERMINAL END

| | | | | | | | | | |
|--|----------|-----------|-----|--------------------------------|----------------------|--|----------------------|---------------------|------|
| | | | | TOLERANCES UNLESS SPECIFIED | | LEESON ELECTRIC MOTORS GEARMOTORS AND DRIVES | DRAWN KVN 11/04/2009 | | |
| | | | | DEC. | INCHES | | CHK | | |
| | | | | .X | ±.1 | | APPD | | |
| | | | | .XX | ±.02 | | SCALE 1=1 | | |
| | | | | .XXX | ±.005 | | REF EE9048RC | | |
| | | | | .XXXX | ±.0005 | MAT'L. 180-210 SWITCH | | | |
| | | | | ANG | ±7'30" | FINISH | | | |
| NO. | REVISION | BY & DATE | CHK | | | PREV | | | |
| THIS DRAWING IN DESIGN AND DETAIL IS OUR PROPERTY AND MUST NOT BE USED EXCEPT IN CONNECTION WITH OUR WORK ALL RIGHTS OF DESIGN AND INVENTION ARE RESERVED THIS IS AN ELECTRONICALLY GENERATED DOCUMENT - DO NOT SCALE THIS PRINT | | | | RFP | CAD FILE EE9048RC-LE | | SIZE | DRAWING NO. PAGE OF | REV. |
| | | | | DIST | | | A | EE9048RC-LE | |