

PRODUCT INFORMATION PACKET

Model No: 131541.00

Catalog No: 131541.00

2 HP Agricultural Motor, 1 phase, 1800 RPM, 115/208-230 V, 182T Frame, TEFC



Regal and are trademarks of Regal Rexnord Corporation or one of its affiliated companies.
©2022 Regal Rexnord Corporation, All Rights Reserved. MC017097E

Nameplate Specifications

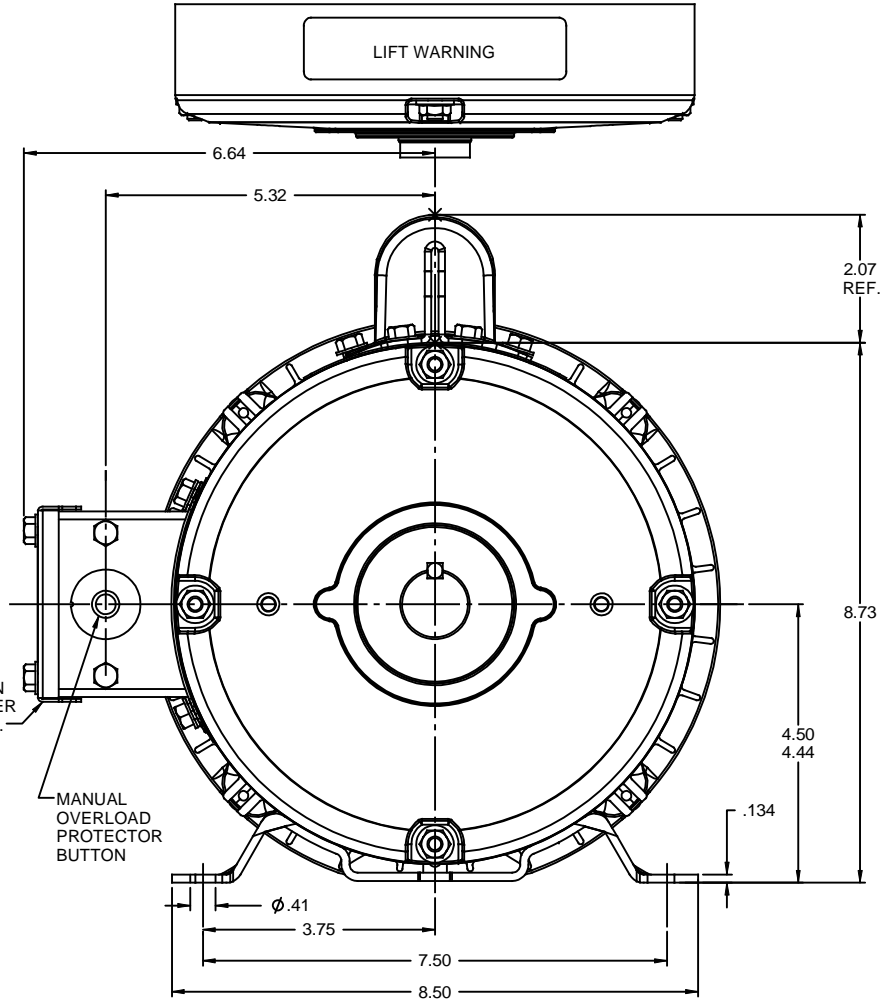
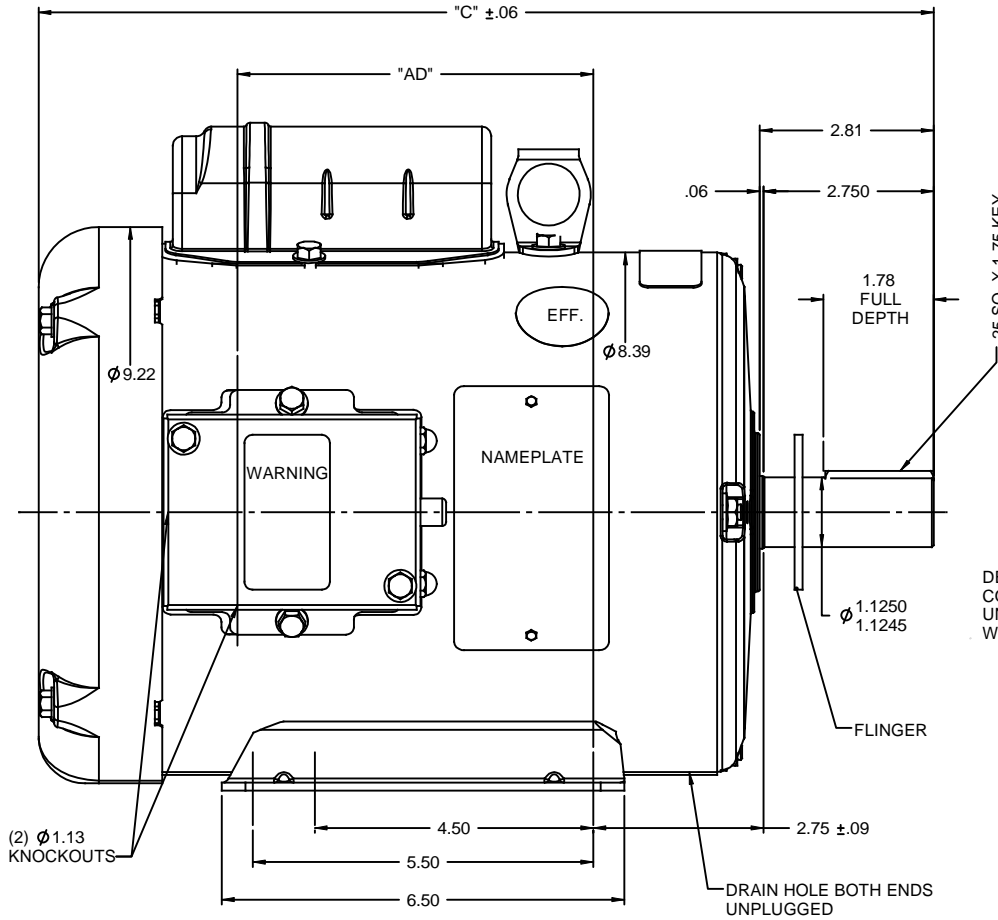
Output HP	2 Hp	Output KW	1.5 kW
Frequency	60 Hz	Voltage	115/208-230 V
Current	24.8/13.0-12.4 A	Speed	1740 rpm
Service Factor	1.15	Phase	1
Efficiency	72 %	Power Factor	75
Duty	Continuous	Insulation Class	F
Design Code	L	KVA Code	K
Frame	182T	Enclosure	Totally Enclosed Fan Cooled
Thermal Protection	Manual	Ambient Temperature	40 °C
Drive End Bearing Size	6206	Opp Drive End Bearing Size	6205
UL	Recognized	CSA	Y
CE	N	IP Code	43
Number of Speeds	1		

Technical Specifications

Electrical Type	Capacitor Start Induction Run	Starting Method	Across The Line
Poles	4	Rotation	Selective Counterclockwise
Resistance Main	.22 Ohms	Mounting	Rigid Base
Motor Orientation	Horizontal	Drive End Bearing	Ball
Opp Drive End Bearing	Ball	Frame Material	Rolled Steel
Shaft Type	T	Overall Length	14.46 in
Frame Length	9.00 in	Shaft Diameter	1.125 in
Shaft Extension	2.75 in	Assembly/Box Mounting	F1 ONLY
Outline Drawing	035747-900	Connection Drawing	005067.02

This is an uncontrolled document once printed or downloaded and is subject to change without notice. Date Created:06/08/2022

RBC PROPRIETARY AND CONFIDENTIAL INFORMATION
 This document is the property of REGAL BELOIT CORPORATION ("RBC") including its subsidiaries and divisions and contains proprietary information of RBC. This document is loaned on the express condition that neither it nor the information contained therein shall be disclosed to others without the express written consent of RBC, and that the information shall be used by the recipient only as approved expressly by RBC. This document shall be returned to RBC upon its request. This document may be subject to certain restrictions under U.S. export control laws and regulations.



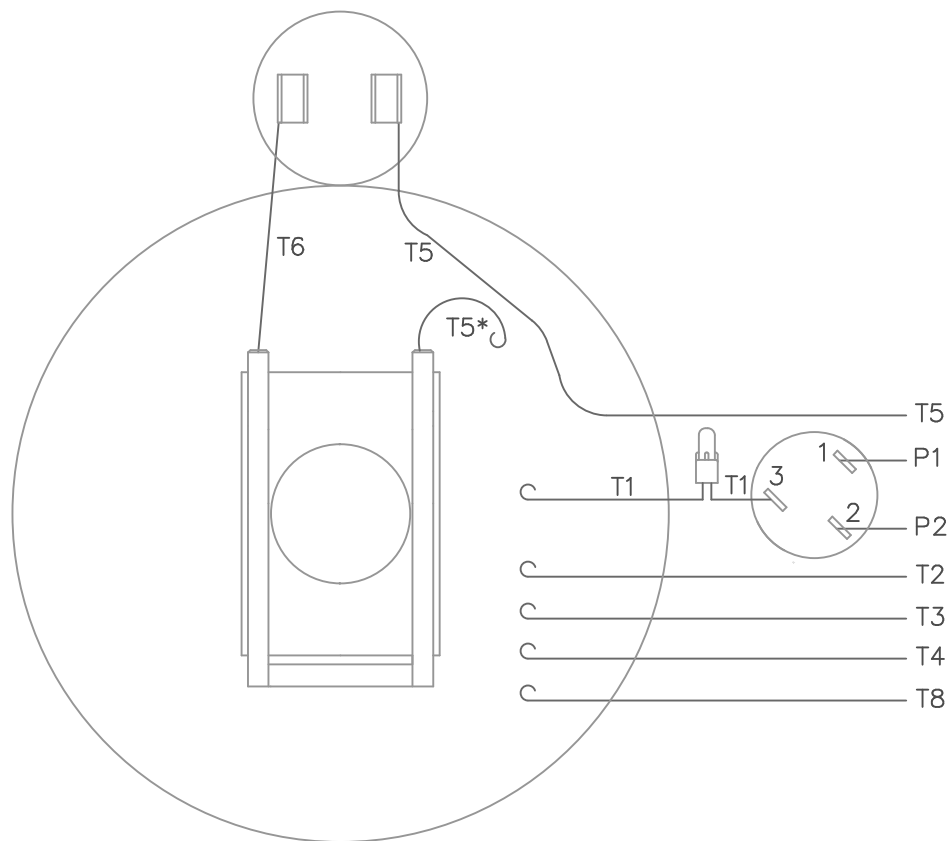
MOTOR SPECIAL FEATURES:
 GASKETS THROUGHOUT
 DRAIN HOLES IN FRAME BOTH ENDS (UNPLUGGED)
 BRASS NAMEPLATE
 MANUAL RESET OVERLOAD PROTECTOR
 DOUBLE SEALED BALL BEARINGS
 FLINGER

DASH NO.	"C"	"AD"
800	13.46	4.75
850	13.96	5.25
900	14.46	5.75
950	14.96	6.25
1000	15.46	6.75
1050	15.96	7.25
1100	16.46	7.75
1150	16.96	8.25

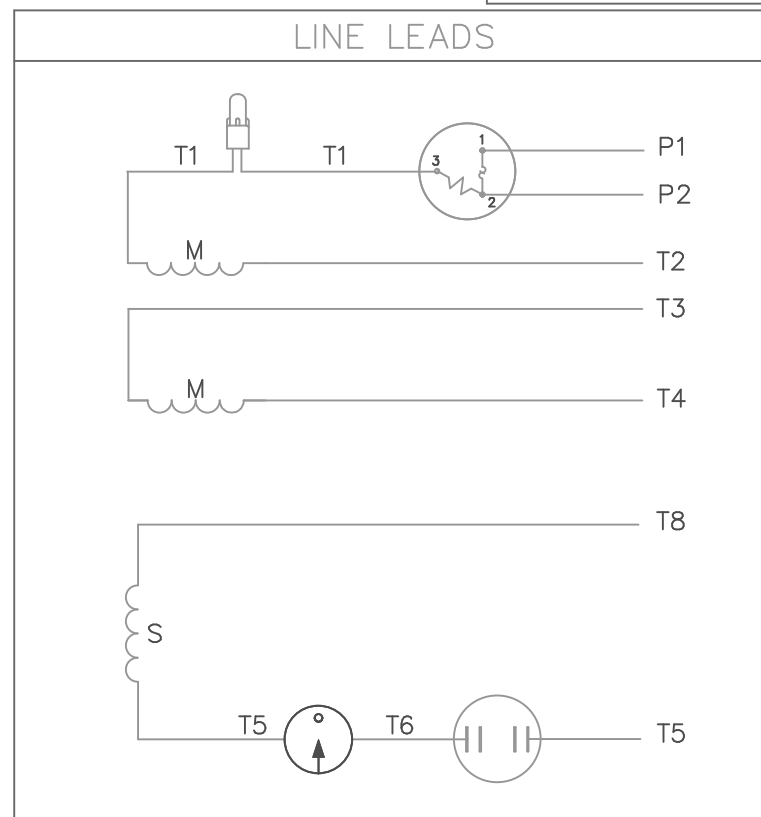
REVISION		BY & DATE	CHK	ANG	FINISH	PAGE	OF
THIRD ANGLE PROJECTION			RFP		PREV	SIZE	DRAWING NO
						B	035747
						REV	

TOLERANCES UNLESS SPECIFIED		DRAWN LST 1/2/10	
DEC	INCHES	CHK	
x	±.1	APPR	
.xx	±.03	SCALE	1:2
.xxx	±.005	REF	
.xxxX	±.0005	FMF	
TITLE OUTLINE - 182T FRAME		DRAWN LST 1/2/10	
TEFC - RIGID MOUNT		CHK	
MATL FARM DUTY MOTOR		APPR	
FINISH		SCALE 1:2	
RFP		REF	
PREV		FMF	
NETWORK FILE NAME		PAGE OF	

VIEW FROM OUTSIDE OF MOTOR AT SWITCH END.



* THIS LEAD MAY BE WHITE



	ROTATION FACING LEAD END	L1	L2	JOIN	INSULATE SEPARATELY
HIGH VOLT	C.C.W.	P1	T4 T5	T2,T3 T8	P2
	C.W.	P1	T4 T8	T2,T3 T5	P2
LOW VOLT	C.C.W.	P1	T2,T4 T5	P2,T3 T8	
	C.W.	P1	T2,T4 T8	P2,T3 T5	

NO.	REVISION	BY & DATE	CHK	TOLERANCES UNLESS SPECIFIED	
				DEC.	INCHES
05	ALTERNATE T5 LEAD MARKING WAS RED	RLW 8/6/02		.X	±.1
04	ADDED ALTERNATE T5 LEAD MARKING	RLW 5/31/02	KH	.XX	±.01
03	DECAL WAS 004015	DBT 12/23/97		.XXX	±.005
02	REDRAWN ON CAD	DBT 05/29/97		.XXXX	±.0005
				ANG	±1/2°



ELECTRIC MOTORS
GEARMOTORS
AND DRIVES

DRAWN WLW 09/01/76

CHK

APPD

TITLE
EXT. WIRING DIAGRAM
TYPE "C" W/ PROTECTOR

SCALE 1=1

REF

MAT'L. DECAL - 004011

FMF

FINISH

PREV

THIS DRAWING IN DESIGN AND DETAIL IS OUR PROPERTY AND MUST NOT BE USED EXCEPT IN CONNECTION WITH OUR WORK ALL RIGHTS OF DESIGN AND INVENTION ARE RESERVED THIS IS AN ELECTRONICALLY GENERATED DOCUMENT - DO NOT SCALE THIS PRINT

RFP

CAD FILE 00506702

SIZE DRAWING NO.

DIST NLV

A 005067-02

REV.

05



**1051 CHEYENNE AVE.
GRAFTON, WI 53024
PH. 262-377-8810**

CERTIFICATION DATA SHEET

CATALOG #: 131541.00

CONN. DIAGRAM: 005067.02

OUTLINE: 035747-900

MOUNTING: F1 ONLY

WINDING #: C842 FR 3 F

TYPICAL MOTOR PERFORMANCE DATA

HP	kW	SYNC. RPM	F.L. RPM	FRAME	ENCLOSURE	KVA CODE	DESIGN
2	1.49	1800	1740	182T	TEFC	K	L

PH	Hz	VOLTS	AMPS	START TYPE	DUTY	INSL	S.F.	AMB°C
1	60	115/208-230	24.8/13-12.4	ACROSS THE LINE	CONTINUOUS	F4	1.15	40

FULL LOAD EFF:	72	3/4 LOAD EFF:	69.3	1/2 LOAD EFF:	64.2	GTD. EFF	ELEC. TYPE
FULL LOAD PF:	75	3/4 LOAD PF:	62.5	1/2 LOAD PF:	50.7	68	CAP START IND RUN

F.L. TORQUE	LOCKED ROTOR AMPS	L.R. TORQUE	B.D. TORQUE	F.L. RISE°C
6 LB-FT	156 / 78	20.6 LB-FT 343 %	16.1 LB-FT 268 %	75

SOUND PRESSURE @ 3 FT.	SOUND POWER	ROTOR WK^2	MAX. WK^2	SAFE STALL TIME	STARTS / HOUR	APPROX. MOTOR WGT
0 dBA	10 dBA	0.306 LB-FT^2	0.3 LB-FT^2	0 SEC.	0	65 LBS.

***** SUPPLEMENTAL INFORMATION *****

DE BRACKET TYPE	ODE BRACKET TYPE	MOUNT TYPE	ORIENTATION	SEVERE DUTY	HAZARDOUS LOCATION	DRIP COVER	SCREENS	PAINT
STANDARD	STANDARD	RIGID	HORIZONTAL	FALSE	NONE	FALSE	NONE	RED - LEESON FARM DUTY

BEARINGS		GREASE	SHAFT TYPE	SPECIAL DE	SPECIAL ODE	SHAFT MATERIAL	FRAME MATERIAL
DE	ODE						
BALL	BALL	POLYREX EM	T	NONE	NONE	AISI 1045 (C-240)	ROLLED STEEL
6206	6205						

THERMO-PROTECTORS				THERMISTORS	CONTROL	SPACE HEATERS
THERMOSTATS	PROTECTORS	WDG RTDs	BRG RTDs			
NONE	MANUAL	NONE	NONE	NONE	FALSE	NONE VOLTS

*
N
O
T
E
S

INVERTER TORQUE: NONE
INV. HP SPEED RANGE: NONE
ENCODER: NONE
NONE NONE
NONE NONE PPR
BRAKE: NONE NONE
NONE P/N NONE
NONE NONE
NONE FT-LB NONE V NONE Hz

