

# PRODUCT INFORMATION PACKET

Model No: M009089.00

Catalog No: M009089.00

5HP..1725RPM.56H.TEFC.115/208-230V.1PH.60HZ.CONT.MANUAL.40C.1.0SF.RIGID.FAN & BLOWER.M6K17FB49/  
Agricultural Motors



Regal and Marathon are trademarks of Regal Rexnord Corporation or one of its affiliated companies.

©2021 Regal Rexnord Corporation, All Rights Reserved. MC017097E

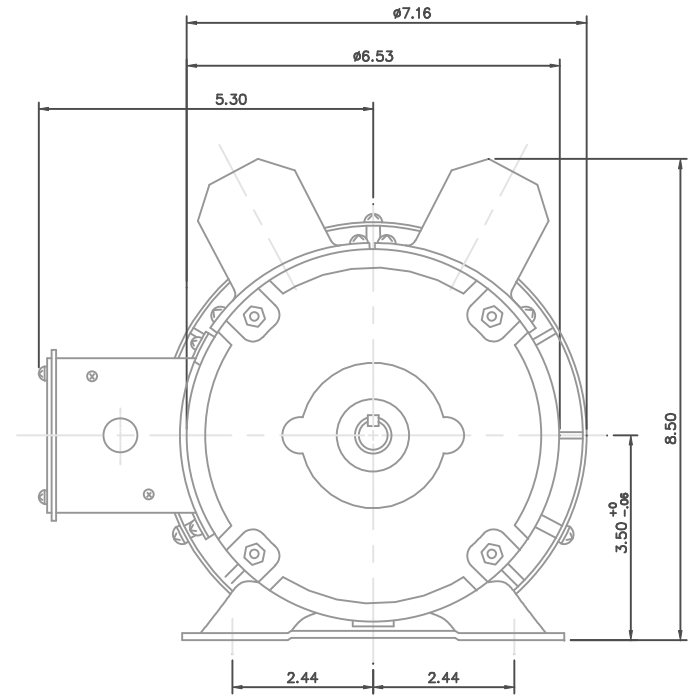
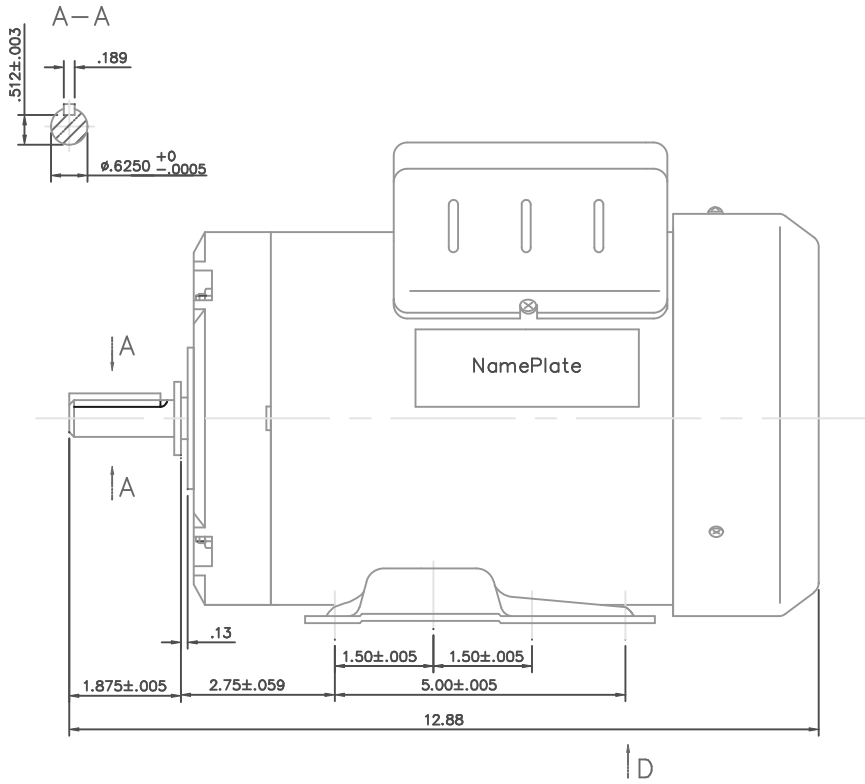
### Nameplate Specifications

Output HP	<b>1.50 Hp</b>	Output KW	<b>1.1 kW</b>
Frequency	<b>60 Hz</b>	Voltage	<b>115/208-230 V</b>
Current	<b>18.0/9.0 A</b>	Speed	<b>1725 rpm</b>
Service Factor	<b>1</b>	Phase	<b>1</b>
Efficiency	<b>78.9 %</b>	Power Factor	<b>72</b>
Duty	<b>Continuous</b>	Insulation Class	<b>B</b>
Design Code	<b>L</b>	KVA Code	<b>J</b>
Frame	<b>56H</b>	Enclosure	<b>Totally Enclosed Fan Cooled</b>
Thermal Protection	<b>Manual</b>	Ambient Temperature	<b>40 °C</b>
Drive End Bearing Size	<b>6203</b>	Opp Drive End Bearing Size	<b>6203</b>
UL	<b>Recognized</b>	CSA	<b>Y</b>
CE	<b>N</b>	IP Code	<b>43</b>
Number of Speeds	<b>1</b>		

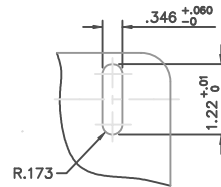
### Technical Specifications

Electrical Type	<b>Capacitor Start Capacitor Run</b>	Starting Method	<b>Across The Line</b>
Poles	<b>4</b>	Rotation	<b>Selective Counterclockwise</b>
Resistance Main	<b>1.02 Ohms</b>	Mounting	<b>Rigid Base</b>
Drive End Bearing	<b>Ball</b>	Opp Drive End Bearing	<b>Ball</b>
Frame Material	<b>Rolled Steel</b>	Shaft Type	<b>NEMA 56</b>
Assembly/Box Mounting	<b>VERIFY</b>		
Connection Drawing	<b>005053.02</b>	Outline Drawing	<b>M009089</b>

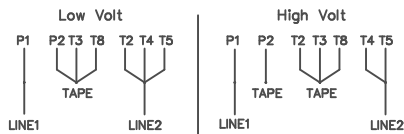
This is an uncontrolled document once printed or downloaded and is subject to change without notice. Date Created:10/26/2021



DIRECTION D



wiring diagram



NOTE: To reverse rotation, interchange T5 & T8

LEESON CAT.NO.	FRAME	PH	HP	Hz	Volt	thermal protector
M009089	56	1	1.5	60	115/208-230	BRJ70DA

NO.		REVISION	BY & DATE	CHK	ANG	±1/2"	FINISH	SIZE	DRAWING NO.	REV.
THIS DRAWING IN DESIGN AND DETAIL IS OUR PROPERTY AND MUST NOT BE USED EXCEPT IN CONNECTION WITH OUR WORK ALL RIGHTS OF DESIGN AND INVENTION ARE RESERVED THIS IS AN ELECTRONICALLY GENERATED DOCUMENT - DO NOT SCALE THIS PRINT				RFP	CAD FILE	M009089	B	M009089	M009089	
				DIST						

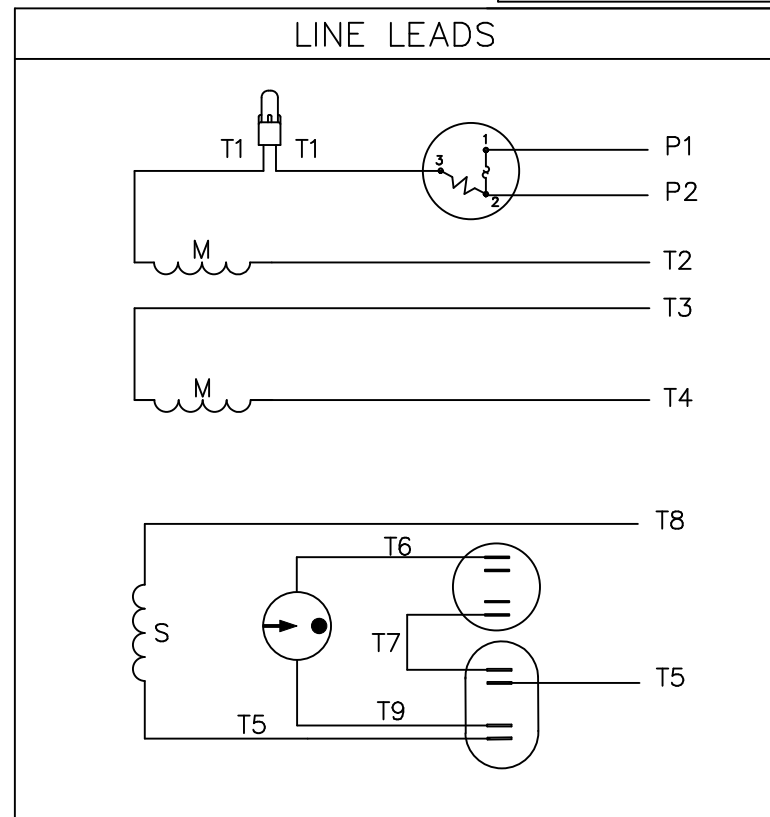
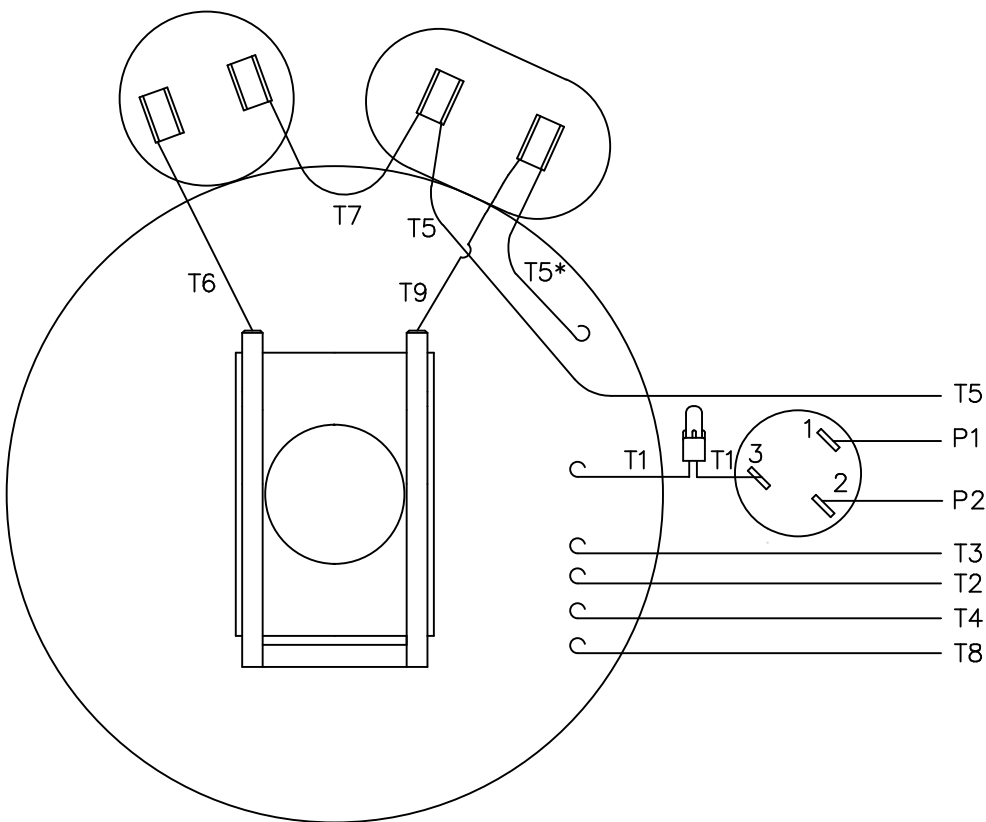
TO DIMENSIONS UNLESS SPECIFIED	DEC.	INCHES	TITLE	DRAWN	DATE
.X	±.1		ELECTRIC MOTORS GEARMOTORS AND DRIVES	CHK	08/27/03
.XX	±.03			APPD	
.XXX	±.005			SCALE	NTS
.XXXX	±.0005			REF	
			MAT'L	FMF	
				PREV	



ELECTRIC MOTORS GEARMOTORS AND DRIVES

OUTLINE - 56 FRAME

VIEW FROM OUTSIDE OF MOTOR AT SWITCH END.



	ROTATION FACING LEAD END	L1	L2	JOIN	INSULATE SEPARATELY
HIGH VOLT	C.C.W.	P1	T4 T5	T2,T3 T8	P2
	C.W.	P1	T4 T8	T2,T3 T5	P2
LOW VOLT	C.C.W.	P1	T2,T4 T5	P2,T3 T8	-----
	C.W.	P1	T2,T4 T8	P2,T3 T5	-----

\* THIS LEAD MAY BE WHITE

		TOLERANCES UNLESS SPECIFIED	
		DEC.	INCHES
		.X	±.1
		.XX	±.01
04	ADDED "*" TO T5	RLW 7/22/02	.XXX ±.005
03	REDRAWN ON CAD	DBT 05/27/97	.XXXX ±.0005
NO.	REVISION	BY & DATE	CHK ANG ±1/2"

REGAL-BELOIT <i>Motor Technologies Group</i>		DRAWN ADH 06/16/76
TITLE EXTERNAL WIRING DIAGRAM TYPE "K" W/PROTECTOR		CHK WRK 06/30/76
MAT'L. DECAL 004011		APPD
FINISH		SCALE 1=1
CAD FILE 00505302		REF
SIZE A		FMF 6K17FB8A
DRAWING NO. 005053-02		PREV

THIS DRAWING IN DESIGN AND DETAIL IS OUR PROPERTY AND MUST NOT BE USED EXCEPT IN CONNECTION WITH OUR WORK ALL RIGHTS OF DESIGN AND INVENTION ARE RESERVED THIS IS AN ELECTRONICALLY GENERATED DOCUMENT - DO NOT SCALE THIS PRINT

RFP	CAD FILE 00505302	SIZE A	DRAWING NO. 005053-02	REV. 04
DIST				