

PRODUCT INFORMATION PACKET



Model No: M002256.00

Catalog No: M002256.00

ACED BY 117862.00 - 0.33HP..1725RPM.56.TEFC.115/208-230V.1PH.60HZ.CONT.MANUAL.40C.1.15SF.RIGID.AG ·
Agricultural Motors



Regal and Leeson are trademarks of Regal Rexnord Corporation or one of its affiliated companies.
©2021 Regal Rexnord Corporation, All Rights Reserved. MC017097E





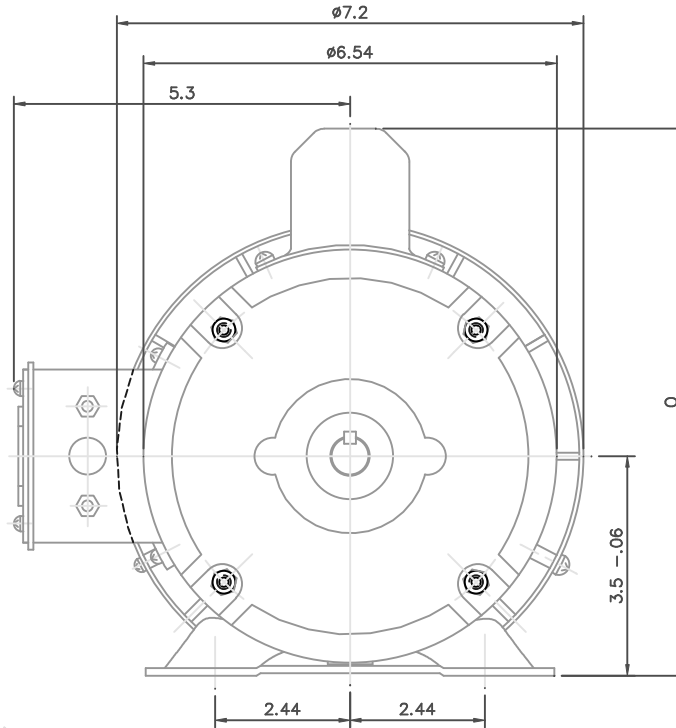
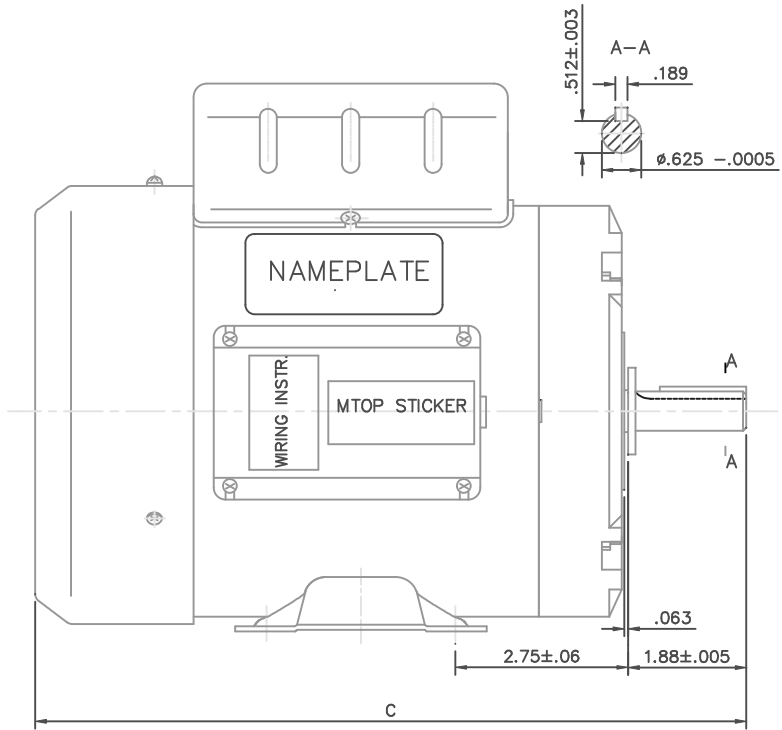
Nameplate Specifications

Output HP	0.33 Hp	Output KW	0.25 kW
Frequency	60 Hz	Voltage	115/208-230 V
Current	5.8/2.7-2.9 A	Speed	1725 rpm
Service Factor	1.15	Phase	1
Efficiency	69 %	Power Factor	55
Duty	Continuous	Insulation Class	B
Design Code	N	KVA Code	L
Frame	56	Enclosure	Totally Enclosed Fan Cooled
Thermal Protection	Manual	Ambient Temperature	40 °C
Drive End Bearing Size	6203	Opp Drive End Bearing Size	6203
UL	Recognized	CSA	Y
CE	N	IP Code	43
Number of Speeds	1		

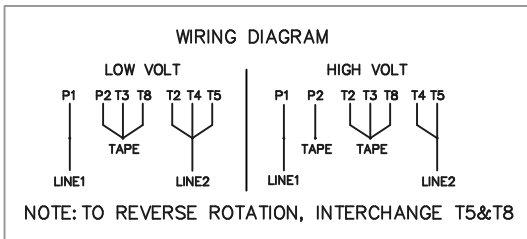
Technical Specifications

Electrical Type	Capacitor Start Induction Run	Starting Method	Across The Line
Poles	4	Rotation	Selective Counterclockwise
Resistance Main	4.611 Ohms	Mounting	Rigid Base
Drive End Bearing	Ball	Opp Drive End Bearing	Ball
Frame Material	Rolled Steel	Shaft Type	NEMA 56
Assembly/Box Mounting	VERIFY		
Connection Drawing	005003.03	Outline Drawing	169873-M002256

This is an uncontrolled document once printed or downloaded and is subject to change without notice. Date Created:10/26/2021

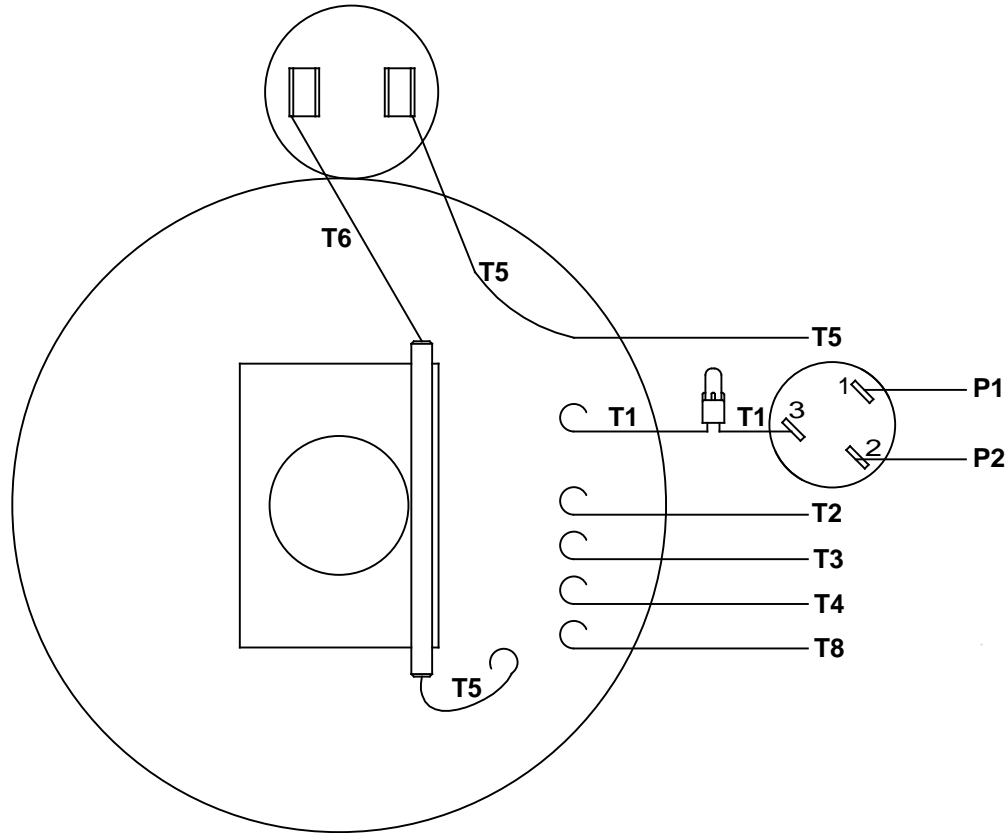


LEESON CAT.NO.	C	O
M002256	11.0	8.4
M009086	12.55	8.4
M009087	11.5	8.8
M009088		8.8

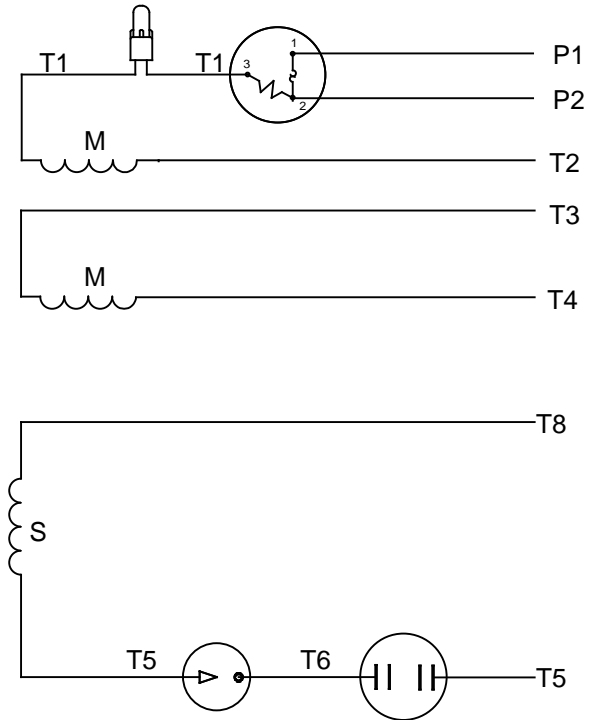


		TOLERANCES UNLESS SPECIFIED		ELECTRIC MOTORS GEARMOTORS AND DRIVES	DRAWN	RLW 07/23/02		
		DEC.	INCHES		CHK			
		.X	±.1	TITLE OUTLINE 56 FRAME WITH BASE	APPD			
01	REDRAWN TO CURRENT DIMENSION STANDARDS, EDITED	.XX	±.03		SCALE	1=50		
	COLUMN C TO NEW DIMENSION	.XXX	±.005		REF			
		.XXXX	±.0005	MAT'L	FMF			
NO.	REVISION	CHK	ANG	FINISH	PREV			
THIS DRAWING IN DESIGN AND DETAIL IS OUR PROPERTY AND MUST NOT BE USED EXCEPT IN CONNECTION WITH OUR WORK ALL RIGHTS OF DESIGN AND INVENTION ARE RESERVED THIS IS AN ELECTRONICALLY GENERATED DOCUMENT - DO NOT SCALE THIS PRINT		RFP		CAD FILE	169873	SIZE	DRAWING NO.	REV.
		DIST				B	169873	01

VIEW FROM OUTSIDE OF MOTOR AT SWITCH END



LINE LEADS



RBC PROPRIETARY AND CONFIDENTIAL INFORMATION
 This document is the property of REGAL BELOIT CORPORATION ("RBC") including its subsidiaries and divisions and contains proprietary information of RBC. This document is loaned on the express condition that neither it nor the information contained therein shall be disclosed to others without the express written consent of RBC, and that the information shall be used by the recipient only as approved expressly by RBC. This document shall be returned to RBC upon its request. This document may be subject to certain restrictions under U.S. export control laws and regulations.

	ROTATION FACING LEAD END	L1	L2	JOIN	INSULATE SEPARATELY
HIGH VOLT	C.C.W.	P1	T4 T5	T2,T3 T8	P2
	C.W.	P1	T4 T8	T2,T3 T5	P2
LOW VOLT	C.C.W.	P1	T2,T4 T5	P2,T3 T8	---
	C.W.	P1	T2,T4 T8	P2,T3 T5	---

		TOLERANCES UNLESS SPECIFIED		LEESON	ELECTRIC MOTORS GEARMOTORS AND DRIVES	DRAWN WLV 08/20/79		
		DEC	INCHES			CHK	ADN 08/27/76	
		.X	±.1			APPR	WRK 08/27/76	
		.XX	±.01	TITLE EXTERNAL WIRING DIAGRAM TYPE "C" W/PROTECTOR		SCALE 1:1		
06	REDRAWN IN SOLIDWORKS	VJB	7/22/2011	.XXX	±.005	REF		
05	REDRAWN ON CAD	DBT	05/27/97	.XXXX	±.0005	FMF		
NO	REVISION	BY & DATE	CHK	ANG	±1/2°	FINISH	PAGE OF	
THIRD ANGLE PROJECTION		RFP		PREV		SIZE	DRAWING NO	REV
		NETWORK FILE NAME		00500303		A	005003-03	06