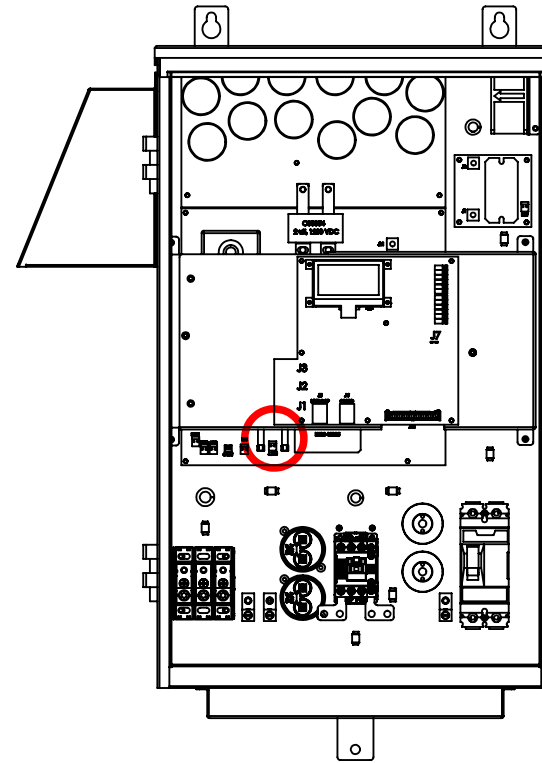


CONTROL TERMINALS

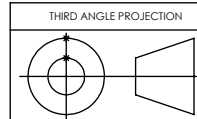


FUSES



**AMPRO ELECTRIC LTD.**  
ECRA / ESA 700918

|        |
|--------|
| MODELS |
| PT407  |
| PT410  |
| PT415  |
| PT420  |

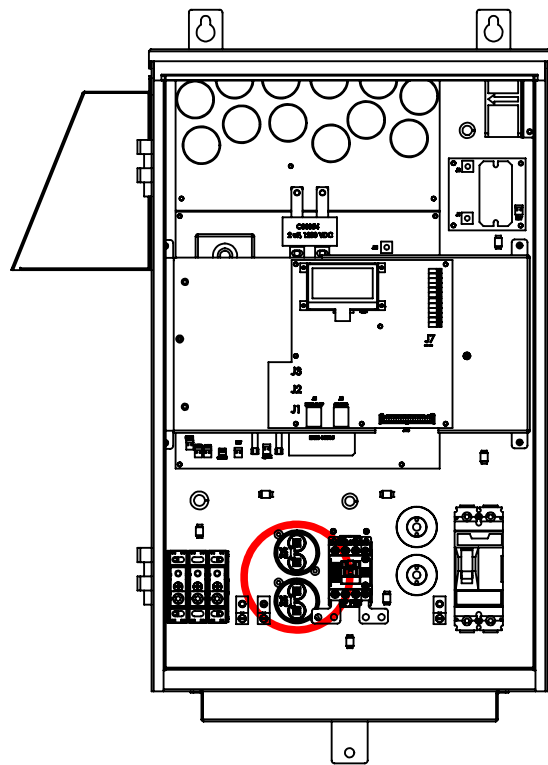


UNLESS OTHERWISE SPECIFIED:  
NO DIM,  $\pm 0.060"$  TO MODEL  
0.XX:  $\pm 0.02"$  0.XXX:  $\pm 0.010"$   
ANGLES:  $\pm 1^\circ$   
HOLE  $\phi$ :  $\pm 0.020"$  TO MODEL  
HOLE  $\phi$ :  $\pm 0.010"$  TO MODEL

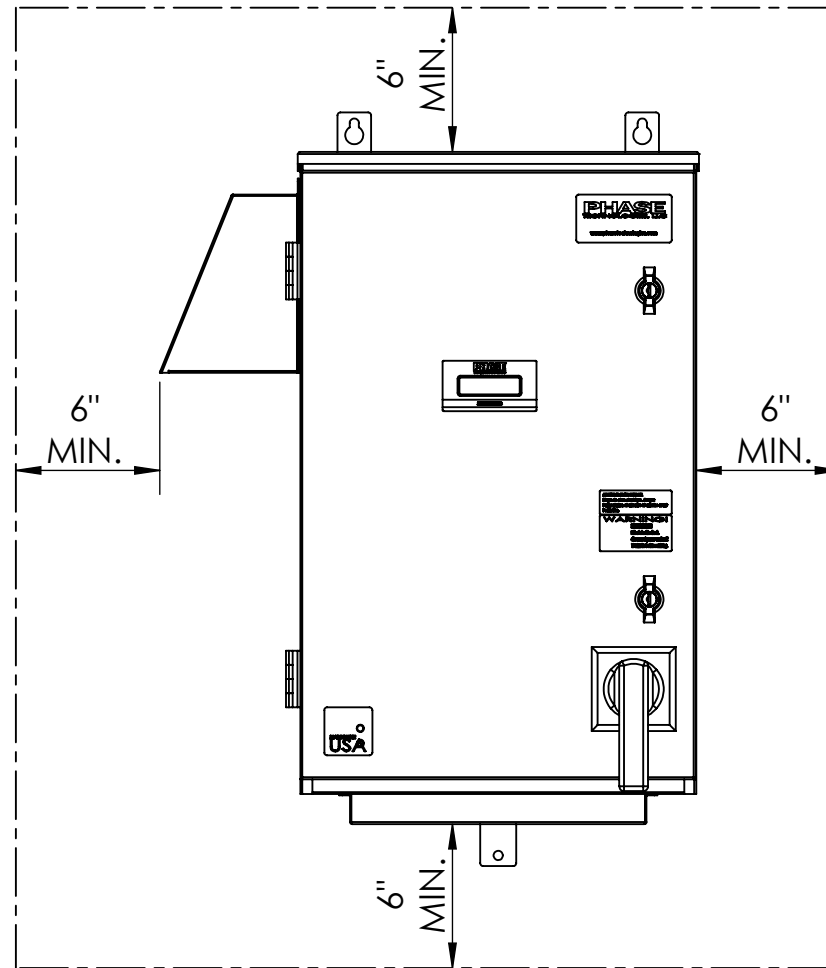
|  |                                    |
|--|------------------------------------|
| Drawing Title: <b>Phase Perfect® Digital Phase Converter - Small Frame</b> |                                    |
| Part Number:<br><b>See Model Table</b>                                     | Revision:<br><b>001</b>            |
| Material:  |                                    |
| Finish:  |                                    |
| Drawn by:<br><b>AHK</b>  | Checked/Approved by:<br><b>JLT</b> |
| Scale:<br><b>1:10</b>  | Sheet:<br><b>3 of 4</b>            |
| Date:<br><b>8/20/2019</b>  | Units:<br><b>IN</b>                |

**PHASE**  
TECHNOLOGIES

This drawing and any information contained within are the confidential and copyright property of Phase Technologies, LLC © and MUST NOT BE DISCLOSED, COPIED, LOANED in whole or part or used for any purpose without the written permission of Phase Technologies, LLC.



LINE FILTER CAPACITORS

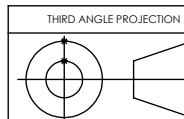


INSTALLATION CLEARANCE



**AMPRO ELECTRIC LTD.**  
ECRA / ESA 700918

|        |
|--------|
| MODELS |
| PT407  |
| PT410  |
| PT415  |
| PT420  |



UNLESS OTHERWISE SPECIFIED:  
 NO DIM,  $\pm 0.060"$  TO MODEL  
 0.XX:  $\pm 0.02"$  0.XXX:  $\pm 0.010"$   
 ANGLES:  $\pm 1^\circ$   
 HOLE  $\phi$ :  $\pm 0.020"$  TO MODEL  
 HOLE  $\phi$ :  $\pm 0.010"$  TO MODEL

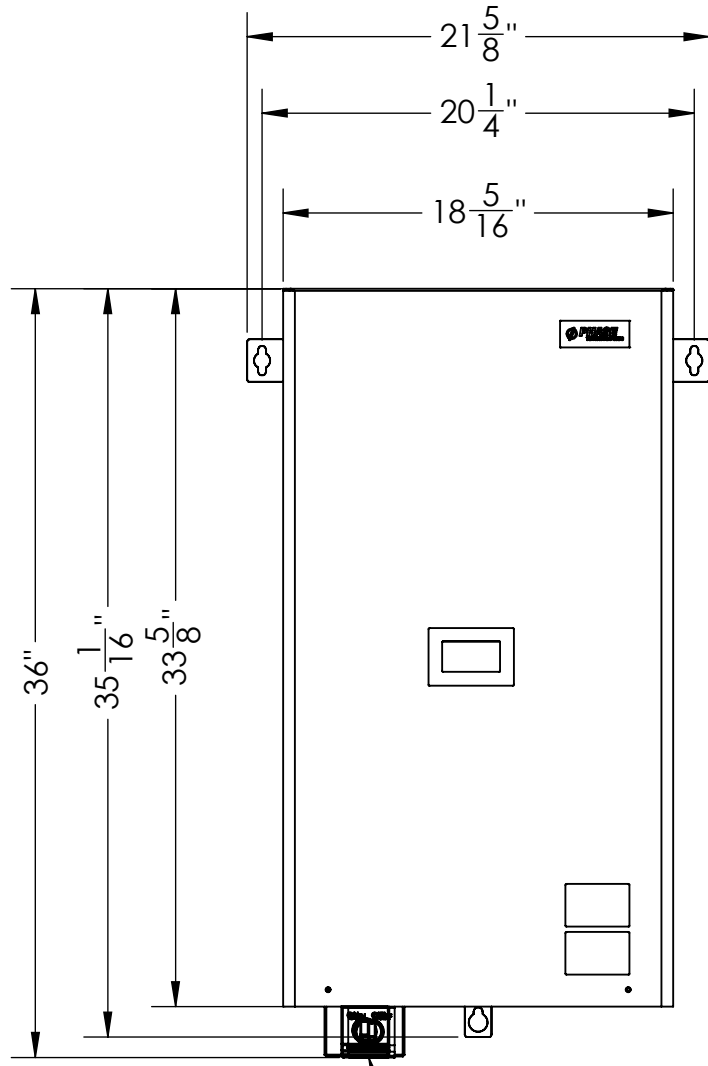
MASS = lb

|  |                                    |
|--|------------------------------------|
| Drawing Title: <b>Phase Perfect® Digital Phase Converter - Small Frame</b> |                                    |
| Part Number:<br><b>See Model Table</b>                                     | Revision:<br><b>001</b>            |
| Material:  |                                    |
| Finish:  |                                    |
| Drawn by:<br><b>AHK</b>  | Checked/Approved by:<br><b>JLT</b> |
| Scale:<br><b>1:10</b>  | Sheet:<br><b>4 of 4</b>            |
| Date:<br><b>8/20/2019</b>  | Units:<br><b>IN</b>                |

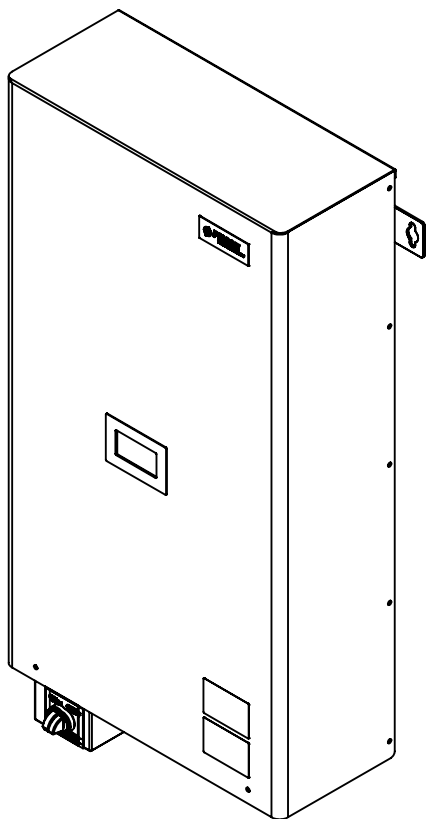
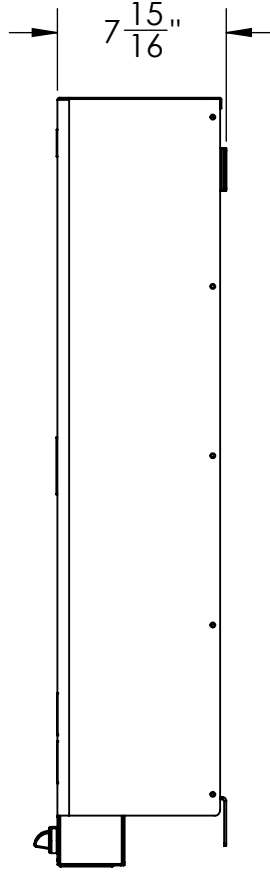
**PHASE**  
TECHNOLOGIES

This drawing and any information contained within are the confidential and copyright property of Phase Technologies, LLC © and MUST NOT BE DISCLOSED, COPIED, LOANED in whole or part or used for any purpose without the written permission of Phase Technologies, LLC.

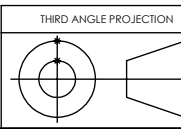




Optional On/Off Switch



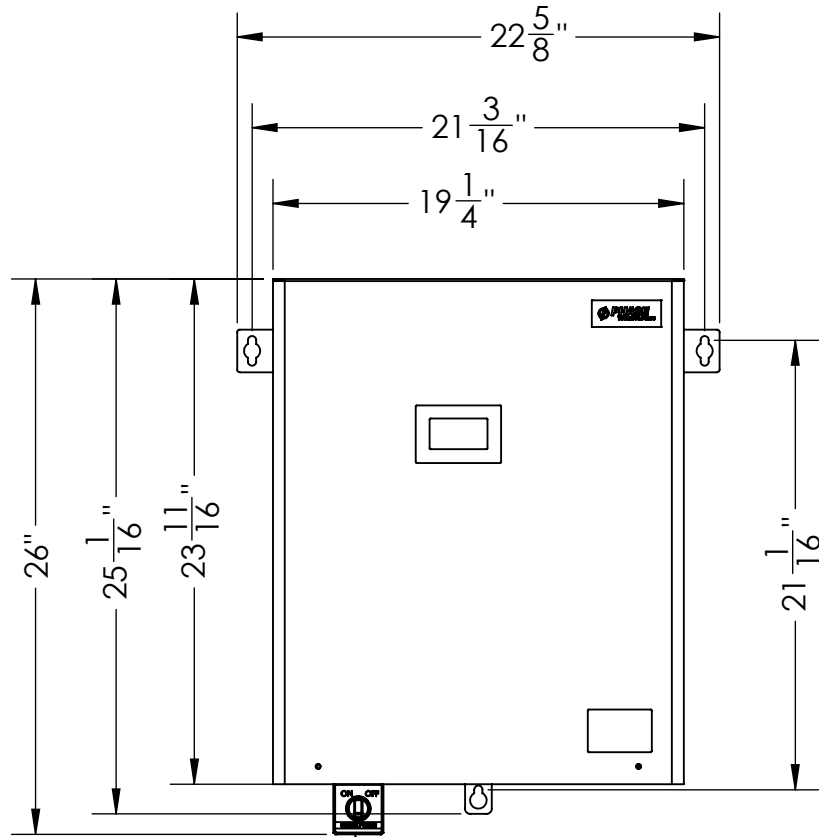
| Models:   |           |
|-----------|-----------|
| PTE007RQT | PTE210RQT |
| PTE010RQT | PTE407RQT |
| PTE015R   | PTE410RQT |
| PTE020R   | PTE415RQT |
| PTE207RQT | PTE420RQT |



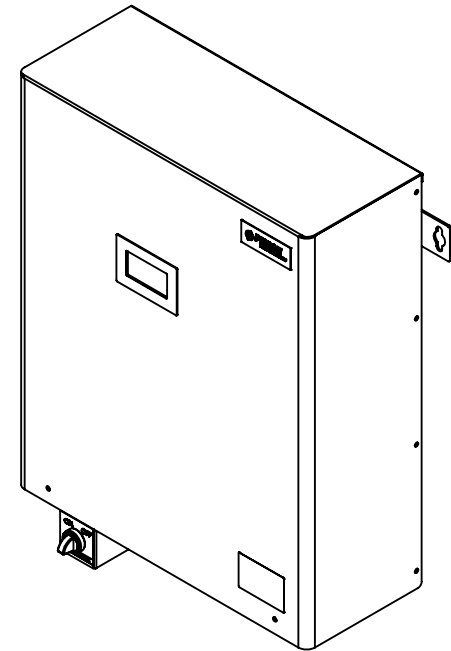
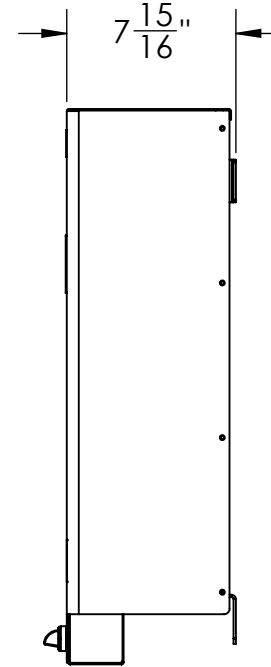
|  |                         |                            |                     |
|--|-------------------------|----------------------------|---------------------|
| Drawing Title:<br><b>PT Enterprise 1</b> |                         |                            |                     |
| Part Number:<br><b>N/A</b>               |                         | Revision:<br><b>2</b>      |                     |
| Material:<br><b>N/A</b>                  |                         |                            |                     |
| Finish:<br><b>N/A</b>                    |                         |                            |                     |
| Drawn by:<br><b>AHK</b>                  |                         | Checked/Approved by:       |                     |
| Scale:<br><b>1:9</b>                     | Sheet:<br><b>1 of 1</b> | Date:<br><b>11/30/2021</b> | Units:<br><b>IN</b> |



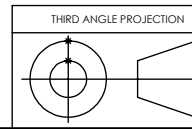
This drawing and any information contained within are the confidential and copyright property of Phase Technologies, LLC © and MUST NOT BE DISCLOSED, COPIED, LOANED in whole or part or used for any purpose without the written permission of Phase Technologies, LLC.



Optional On/Off Switch



|                |
|----------------|
| <b>Models:</b> |
| PTE007R        |
| PTE010R        |
| PTE407R        |
| PTE410R        |



|  |                         |                           |                     |
|--|-------------------------|---------------------------|---------------------|
| Drawing Title:<br><b>PT Enterprise 2</b> |                         |                           |                     |
| Part Number:<br><b>N/A</b>               |                         | Revision:<br><b>0</b>     |                     |
| Material:<br><b>N/A</b>                  |                         |                           |                     |
| Finish:<br><b>N/A</b>                    |                         |                           |                     |
| Drawn by:<br><b>AHK</b>                  |                         | Checked/Approved by:      |                     |
| Scale:<br><b>1:9</b>                     | Sheet:<br><b>1 of 1</b> | Date:<br><b>2/25/2021</b> | Units:<br><b>IN</b> |



This drawing and any information contained within are the confidential and copyright property of Phase Technologies, LLC © and MUST NOT BE DISCLOSED, COPIED, LOANED in whole or part or used for any purpose without the written permission of Phase Technologies, LLC.