

PRODUCT OVERVIEW

Single phase, enhanced performance cold rolled steel, dual capacitor energy-saving, high torque design. 4 pole, 1/3 to 10HP, ideal for numerous farming and industrial applications where high starting torque and low current draw is required.



BASIC SPECIFICATIONS

- Power Ratings from 1/3 to 10HP
- Single Phase, 4 pole, Capacitor-Start Capacitor-Run
- 115/208-230 & 208-230V 60Hz
- Totally Enclosed Fan Cooled (TEFC)

STANDARD FEATURES

- Klixon manual reset thermal overload protectors
- Over 300% starting torque
- 1.15 Service Factor
- 18 Month warranty
- High quality Japanese switches with beryllium coated contacts
- Cold rolled steel construction with cast iron end bells and c-flange kits
- Rubber sealed bearings
- 1045 Steel shaft
- Surface finish:
 - Alkyd enamel RAL7024 - Graphite Gray
 - Black oxide under coat surface treatment for increased corrosion resistance
- Stainless steel nameplate
- Corrosion resistant hardware

OPERATING PARAMETERS

- Continuous (S1) duty
- Ambient temperatures up to 40°C
- Installation up to 1000 MASL (3300 ft.)

INGRESS PROTECTION

The standard degree of enclosure protection is IP54 (Weather Proof). Both drive end and non-drive end are fitted with v-seals. Motors include high quality molded capacitor cover gaskets. Conduit box lid and body are sealed with fitted rubber gaskets. DE/NDE end bell fitted with sintered brass one-way drain.

INSULATION RATING

- Class F Insulation
- Vacuum Impregnated
- Designed to Class B temperature rise



AMPRO ELECTRIC LTD.

ECRA / ESA LICENCE #7015465



PURCHASING DATA

56 - 215T Frame Foot-Mount					High Efficiency Energy Saver							
HP	MODEL (Rigid)	MODEL (With C-Flange)	Sync. RPM	NEMA Frame	Full Load Current I _n (A)			FL Eff. (%)	Shipping Weight (lbs.)	"C" Dim. (in.)	List Price	
					115V	208V	230V				Rigid	C-Flange
1/3	FDR.334C-01	FDR.334C-C-01	1800	56	3.7	2.0	1.85	67.0	23.0	11.3	\$280	\$315
1/2	FDR.504C-01	FDR.504C-C-01	1800	56	5.2	2.9	2.6	70.0	27.0	11.9	\$289	\$324
3/4	FDR.754C-01	FDR.754C-C-01	1800	56	7.4	4.1	3.7	72.0	30.0	12.5	\$318	\$353
1	FDR0004C-01	FDR0004C-C-01	1800	56H	9.3	4.95	4.65	77.5	41.0	12.9	\$365	\$400
	FDR0004C-T-01	FDR0004C-TC-01	1800	56H	9.3	4.95	4.65	77.5	41.0	13.3	\$375	\$410
1.5	FDR0014C-01	FDR0014C-C-01	1800	56H	13.3	7.2	6.65	79.5	48.0	13.7	\$433	\$468
	FDR0014C-T-01	FDR0014C-TC-01	1800	143T	13.3	7.2	6.65	79.5	48.0	14.1	\$445	\$480
2	FDR0024C-01	FDR0024C-C-01	1800	56H	17.3	10.4	8.65	81.5	53.0	14.1	\$501	\$536
	FDR0024C-T-01	FDR0024C-TC-01	1800	145T	17.3	10.4	8.65	81.5	53.0	14.9	\$501	\$536
3	FDR0034B-01	FDR0034B-TC-01	1800	182T	--	14.3	12.9	80.0	92.0	16.2	\$730	\$798
5	FDR0054B-01	FDR0054B-TC-01	1800	184T	--	23.2	21.0	82.0	110.0	17.6	\$866	\$934
7.5	FDR0074B-01	FDR0074B-TC-01	1800	213TZ	--	34.3	31.0	82.0	185.0	19.9	\$1,274	\$1,379
10	FDR0104B-01	FDR0104B-TC-01	1800	215T	--	46.3	41.8	83.0	207.0	21.3	\$1,534	\$1,639

C-Flange: Add "-C" to the end of 56 frame Model or "-TC" for T-frame Model for C-Flange

For Flange Kits refer to Motor Accessories on page 51



56C Frame Round Body					High Efficiency Energy Saver						
HP	MODEL	MFG Number	Sync. RPM	NEMA Frame	Full Load Current I _n (A)			FL Eff. (%)	Weight (lbs.)	Dim "C" (in.)	List Price
					115V	208V	230V				
1/3	FDR.334C-C-RND-01	SLF561/3Z4L	1800	56C	3.7	2.0	1.85	67.0	23	11.3	\$305
1/2	FDR.504C-C-RND-01	SLF561/2Z4L	1800	56C	5.2	2.9	2.6	70.0	27	11.9	\$315
3/4	FDR.754C-C-RND-01	SLF563/4Z4L	1800	56C	7.4	4.1	3.7	72.0	30	12.5	\$344
1	FDR0004C-C-RND-01	SLF561Z4L	1800	56HC	9.3	4.95	4.65	77.5	41	12.9	\$391
1.5	FDR0014C-C-RND-01	SLF561.5Z4L	1800	56HC	13.3	7.2	6.65	79.5	48	13.7	\$459
2	FDR0024C-C-RND-01	SLF562Z4L	1800	56HC	17.3	10.4	8.65	81.5	53	14.1	\$527

General Purpose 3Φ

Pump Motors 3Φ

Brake Motors 3Φ

General Purpose 1Φ

Farm Duty 1Φ

PM DC

Accessories

DIMENSIONAL DRAWINGS

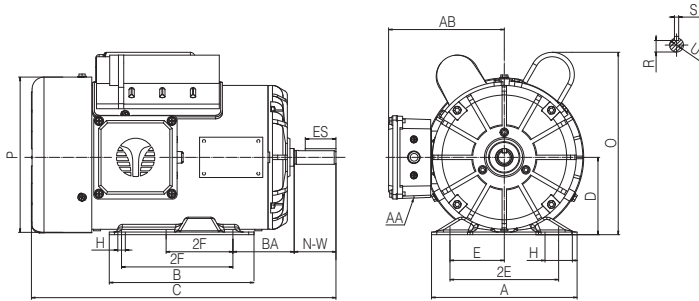


Figure 1 - Foot Mount, 56/56H/140T Frame

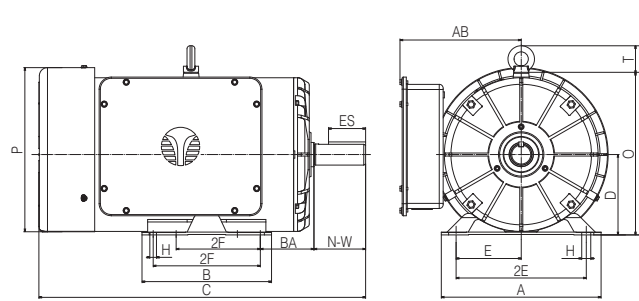
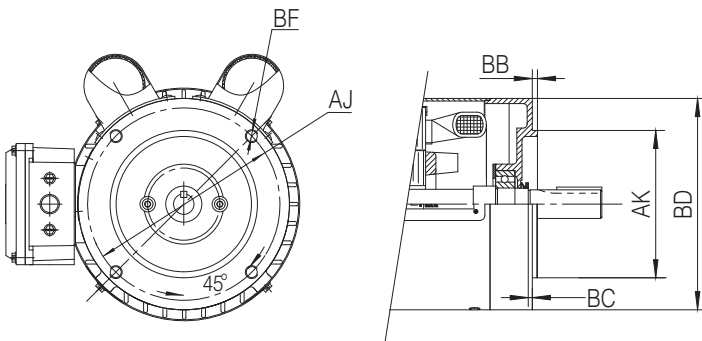


Figure 2 - Foot Mount, 180T/210T Frame

Dimensions are in inches

NEMA Frame (HP)	Foot Mounting						Shaft					General									
	E	2E	2F	2F	H	BA	N-W	U	S	R	ES	A	B	C	D	T	O	P	AA	AB	
56 (1/3)														11.3							
56 (1/2)	2.44	4.88	3.0	--	0.34 Slot	2.75	1.88	0.625	0.188	0.517	1.41	6.54	4.02	11.9	3.5	--	7.8	6.42	0.88	4.77	
56 (3/4)														12.5							
56H (1)														12.9							
56H (1.5)	2.44	4.88	3.0	5.0	0.34 Slot	2.75	1.88	0.625	0.188	0.517	1.41	6.54	6.5	13.7	3.5	--	8.22	7.21	0.88	5.2	
56H (2)														14.5							
143T														13.3							
145T (1.5)	2.75	5.5	4.0	5.0	0.34 Slot	2.25	2.25	0.875	0.188	0.771	1.41	6.54	5.91	14.1	3.5	--	8.22	7.21	0.88	5.2	
145T (2)														14.9							
182T														16.2							
184T	3.75	7.5	4.5	5.5	0.43 Slot	2.75	2.75	1.125	0.25	0.986	1.78	8.51	6.5	17.6	4.5	1.73	9.11	9.7	1.1	6.78	
213TZ														19.9							
215T	4.25	8.5	5.5	7.0	0.43 Slot	3.5	3.38	1.125	0.25	0.986	2.41	10.44	8.47	21.3	5.25	1.75	10.63	11.36	1.1	7.92	
								1.375	0.312	1.201	2.41										

Figure 3 - C-Flange



NEMA Frame	NEMA C-Flange					
	AJ	AK	BB	BC	BD	BF
56C	5.875	4.5	0.16	0.19	5.67	4*3/8-16UNC
56HC					6.5	
143TC	5.875	4.5	0.16	0.12	6.5	4*3/8-16UNC
145TC						
182TC	7.25	8.5	0.25	0.12	8.95	4*1/2-13UNC
184TC						
213TC	7.25	8.5	0.25	0.25	9.0	4*1/2-13UNC
215TC						

ENERGY SAVER 60HZ PERFORMANCE DATA

HP	Sync. Speed	NEMA Frame	Full Load Data			Full Load Current I _n (A)				Start Capacitor		Run Capacitor		Weight (lbs.)	Bearings		"C" Dim. (in.)
			RPM (r/min)	Eff. (%)	PF (Cosθ)	115V	208V	230V	KVA Code	Cap. (μF)	Volt (V)	Cap. (μF)	Volt (V)		DE	NDE	
1/3	1800	56	1725	67.0	0.90	3.7	2.0	1.85	K	200	125	30	250	23	6203 2RS	6202 2RS	11.3
1/2	1800	56	1725	70.0	0.90	5.2	2.9	2.6	K	250	125	40	250	27	6203 2RS	6202 2RS	11.9
3/4	1800	56	1725	72.0	0.90	7.4	4.1	3.7	J	300	125	60	250	30	6203 2RS	6202 2RS	12.5
1	1800	56H	1750	77.5	0.90	9.3	4.95	4.65	J	300	165	60	250	41	6204 2RS	6203 2RS	12.9
	1800	143T	1750	77.5	0.90	9.3	4.95	4.65	J	300	165	60	250	41	6205 2RS	6203 2RS	13.3
1.5	1800	56H	1740	79.5	0.92	13.3	7.2	6.65	H	400	165	80	250	48	6204 2RS	6203 2RS	13.7
	1800	143T	1740	79.5	0.92	13.3	7.2	6.65	H	400	165	80	250	48	6205 2RS	6203 2RS	14.1
2	1800	56H	1740	81.5	0.92	17.3	10.4	8.65	H	500	165	80	250	53	6204 2RS	6203 2RS	14.1
	1800	145T	1740	81.5	0.92	17.3	10.4	8.65	H	500	165	80	250	53	6205 2RS	6203 2RS	14.9
3	1800	182T	1740	80.0	0.93	--	14.3	12.9	H	250	330	40	450	92	6206 2RS	6205 2RS	16.2
5	1800	184T	1740	82.0	0.93	--	23.2	21.0	G	350	330	60	450	110	6206 2RS	6205 2RS	17.6
7.5	1800	213TZ	1740	82.0	0.94	--	34.3	31.0	H	400 ×2	350	80	450	185	6208 2RS	6206 2RS	19.9
10	1800	215T	1740	83.0	0.94	--	46.3	41.8	H	500 ×2	350	100	450	207	6208 2RS	6206 2RS	21.3

General Purpose 3Φ

Pump Motors 3Φ

Brake Motors 3Φ

General Purpose 1Φ

Farm Duty 1Φ

PM DC

Accessories