

**NEMA**

**Model FDA.754C-Y-RND**  
MFG PN: SLF563/4Z4L



**AMPRO ELECTRIC LTD.**  
ECRA / ESA LICENCE #7015465

# Model FDA.754C-Y-RND

## Product Data Package



MODEL	HP	RPM	VOLTAGE	PHASE	Hz	FRAME	MOUNT	ENCLOSURE
FDA.754C-Y-RND	0.75	1725	115/208-230	1	60	56Y	Rigid/Y-Flange	TEFC

### Toronto

TOLL FREE 1.888.286.1820  
PHONE 905.829.1001  
EMAIL info@techttopcanada.com

### Montreal

TOLL FREE 1.844.354.5111  
PHONE 514.354.1002  
EMAIL infoQC@techttopcanada.com

### Moncton

PHONE 506.386.5794  
EMAIL infoNB@techttopcanada.com

### Winnipeg

PHONE 204.633.2779  
EMAIL infoMB@techttopcanada.com

### Vancouver

PHONE 604.525.1551  
EMAIL infoBC@techttopcanada.com



### Index

Motor General Data Sheet	P 2
Nameplate Information	P 3
Technical Performance Data	P 4
Motor General Wiring Diagram	P 5
Motor General Outline Drawing	P 6



**Model FDA.754C-Y-RND**  
**MFG PN: SLF563/4Z4L**

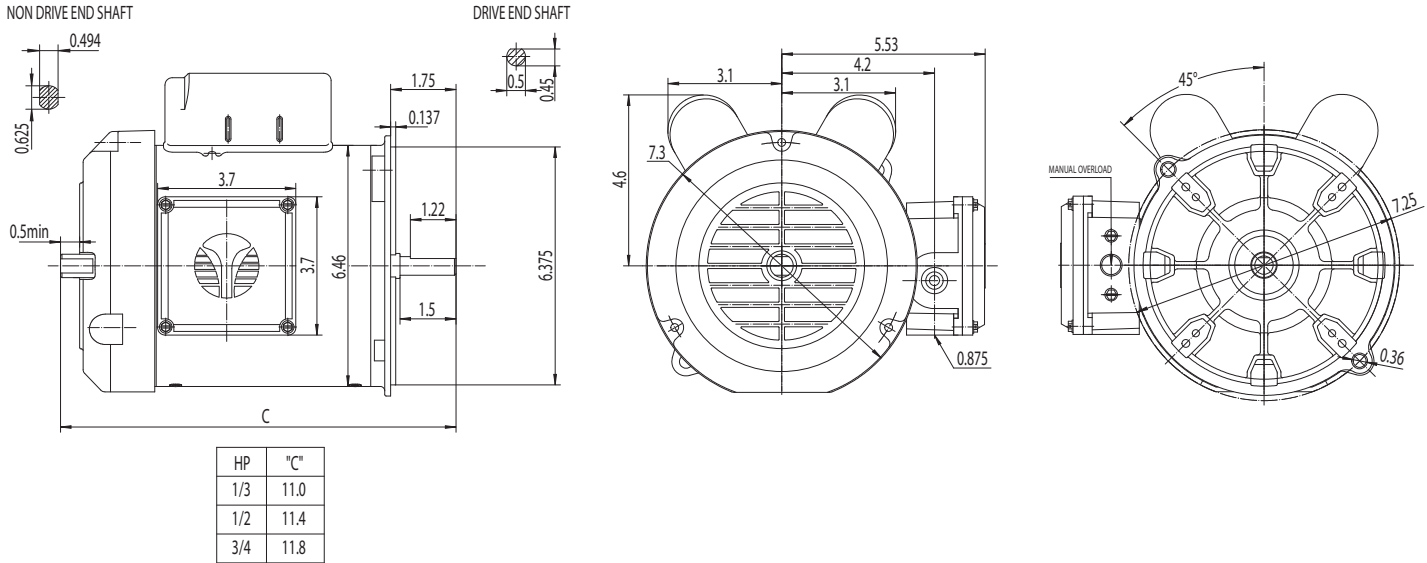
ELECTRICAL DATA		
Rated Motor Output Power	0.75	HP
	-	kW
Rated Motor Speed	1725	r/min 60Hz
	-	r/min 50Hz
Rated Motor Voltage (+/-10%)	115/208-230	V/60Hz
	-	V/50Hz
Rated Motor Current	7.4/4.1-3.7	A (I <sub>n</sub> ) @ 60Hz
	-	A (I <sub>n</sub> ) @ 50Hz
Phase	1	∅
Locked Rotor Current @ High Voltage	27.99	A (I <sub>n</sub> ) @ 60Hz
FI Current @ 208V	4.1	A (I <sub>n</sub> ) @ 60Hz
Service Factor	1.15	@ 60Hz
	-	@ 50Hz
KVA Code	M	60Hz
	-	50Hz
Nominal Efficiency	72	% @ 60Hz
Nominal Power Factor	0.9	cosΦ @ 60Hz
Leads (Qty, Size)	7	14
Connection	-	-
Coil Resistance	-	Ω
Start Capacitor	300/165	μF/V
Run Capacitor	60/250	μF/V
VFD DUTY (S.F. 1.0)		
Variable Torque	-	-
Constant Torque	-	-
FULL LOAD TEMPERATURE RISE		
Full Load Temperature Rise	48.5	°C @ 60Hz
	-	°C @ 50Hz

GENERAL DATA		
Frame Size	56Y	
Enclosure	TEFC	
Mounting	Rigid/Y-Flange	
Approximate Weight (lbs.)	-	
Casing Material / Fan Cover	Rolled Steel	Steel
Shaft Material	1045	
NEMA Design	L	
Degree of Protection (IP)	54	
Insulation Class / Temp Rise (60Hz)	F	B
Tropicalization	NO	
Duty	Cont. / S1	
Conduit Box Location	F1	
Feet Removable / Double Drilled	-	-
Paintwork	7024	
	Graphite Gray	
MECHANICAL DATA		
Bearing DE Side	6203 2RS	
Bearing ODE Side	6203 2RS	
Grease Type	Mobil Polyrex EM	
Compensation Ring (wavy washer)	NDE	
Moment of Inertia (lb-ft <sup>2</sup> )	-	
Sound Pressure @ 3 FT dBA	-	
SITE CONDITIONS		
Ambient Temperature (°C)	40	
Meters Above Sea Level (MASL)	1000	
HAZARDOUS LOCATIONS		
CSA Certified	-	
Temperature Code	-	-

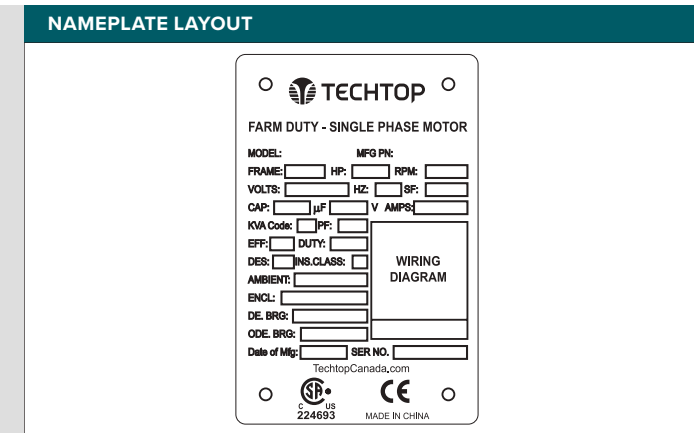
**Questions? Call 1.888.286.1820**

**NEMA**

**Model FDA.754C-Y-RND**  
**MFG PN: SLF563/4Z4L**



NAMEPLATE DATA	60Hz	50Hz
Horse Power	0.75	-
RPM	1725	-
Voltage	115/208-230	-
Full Load Amps	7.4/4.1-3.7	-
Service Factor	1.15	-
KVA Code	M	-
Full Load Amps (208V)	4.1	-
Nominal Efficiency	72	-
Nominal Power Factor	0.9	-
Design	L	
Frame	56Y	
Enclosure Type	TEFC	
IP Rating	54	
Duty	Cont. / S1	
Insulation Class	F	
Ambient Rating	40	
Drive End Bearing	6203 2RS	
Opposite Drive End Bearing	6203 2RS	
Weight (lbs)	-	



CAPACITOR DATA	μF	VOLTAGE
Start Capacitor	300	165
Run Capacitor	60	250

\*For max speed please contact Techttop Canada

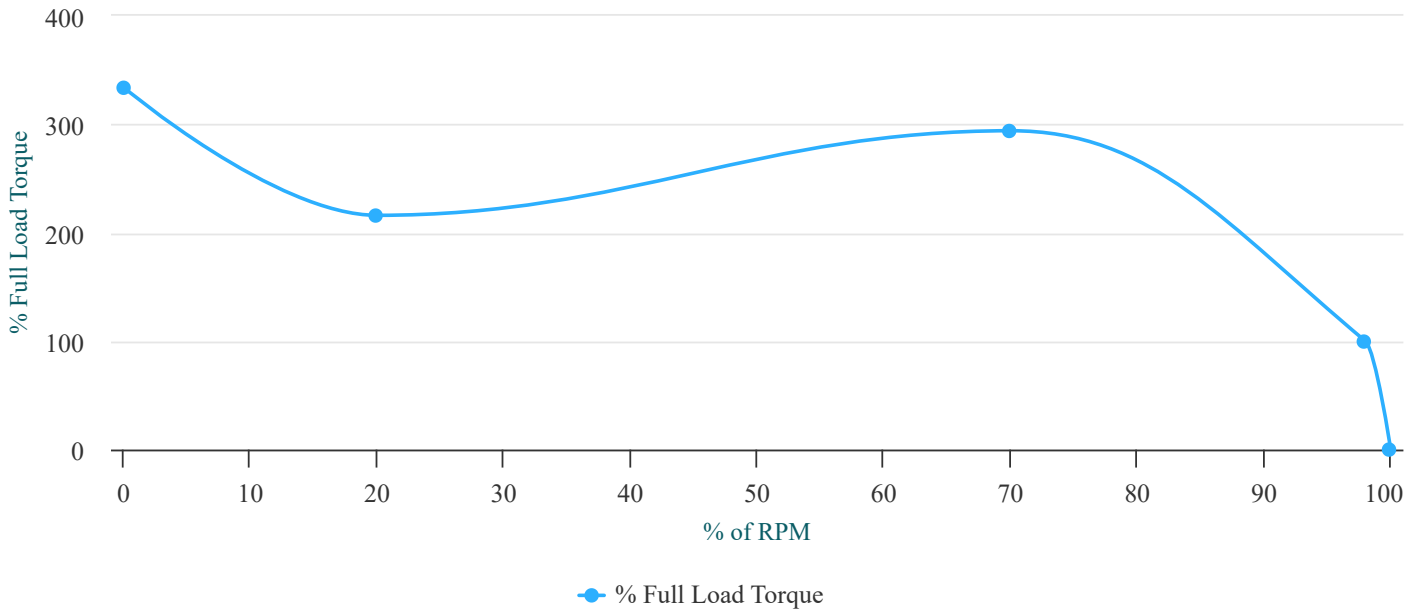
HAZARDOUS LOCATIONS	-
Class / Division	-
Groups	-

**Questions? Call 1.888.286.1820**



**Model FDA.754C-Y-RND**  
 MFG PN: SLF563/4Z4L

### Torque Speed (T-n) Curve



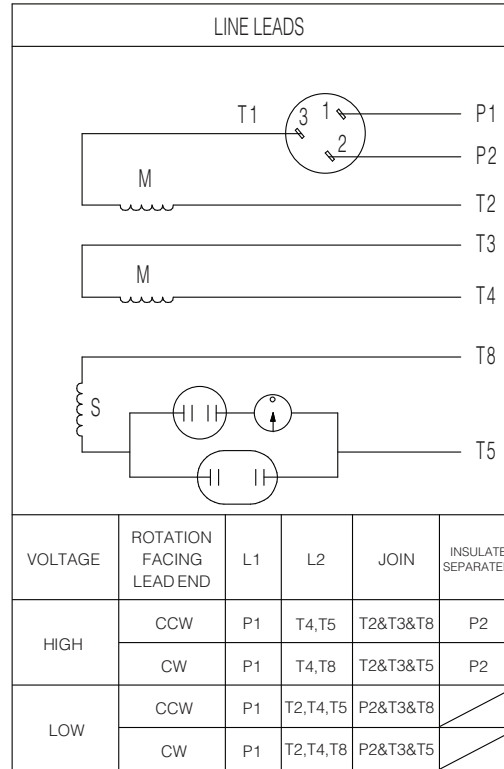
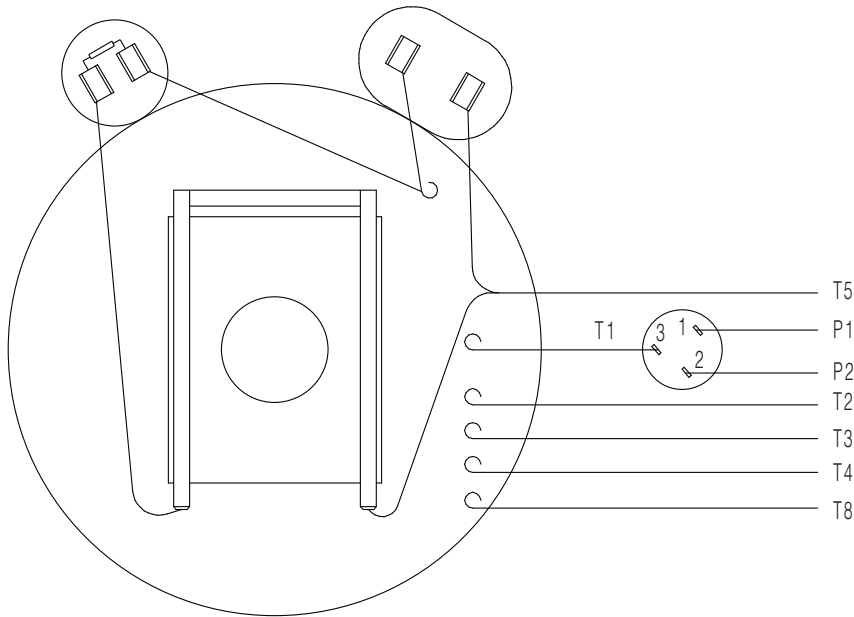
**PERFORMANCE LOAD VALUES, HIGH VOLTAGE, 60Hz**

**TYPICAL PERFORMANCE - NOT GUARANTEED VALUES**

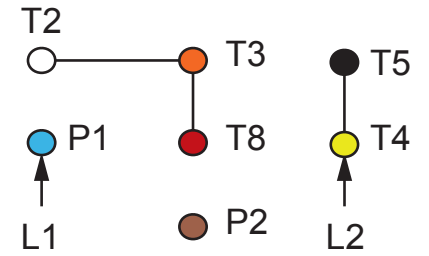
TORQUE VALUES	TORQUE (lb-ft)	TORQUE (% FULL LOAD)	PERFORMANCE VALUES	
Locked Rotor Torque	7.6	334	Start Configuration	DOL
Pull-Up Torque	4.9	216	Starting Current (A)	27.99
Breakdown Torque	6.7	294	No-Load Current (A)	1.4
Full Load Torque	2.3	100	No-Load Power Factor	-

% OF RATED LOAD	25	50	75	100	125	S.F. 1.25
Line Amperes (A)	-	-	-	3.4	-	-
Efficiency (%)	-	-	-	73.3	-	-
Speed (r/min)	-	-	-	1759	-	-
Power Factor (cosΦ)	-	-	-	0.98	-	-
Input Power (kW)	-	-	-	0.76	-	-

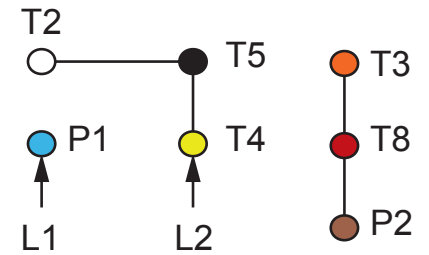
**Questions? Call 1.888.286.1820**



TO REVERSE ROTATION INTERCHANGE BLACK (T5) WITH RED (T8) FOR EITHER VOLTAGE



HIGH VOLTAGE



LOW VOLTAGE

NOTES:

1. CCW ROTATION FACING ODE FOR CONNECTIONS SHOWN
2. TO REVERSE ROTATION, SWAP ANY TWO INPUT LINES
3. WHEN MOTOR IS IN F1 POSITION, LEADS INDICATED WITH "\*" EXIT THE CASING ABOVE THE CENTER LINE OF THE MOTOR, THE REMAINING LEADS EXIT BELOW THE CENTER LINE
4. LEADS MUST BE NUMBERED AND COLORED AS SHOWN
5. DIAGRAMS FOR REFERENCE ONLY



### NEMA 1Ø Farm Duty Dual Voltage

DRAWING NUMBER:

NEMA-FD-56-140T

CONNECTION:

-

NUMBER OF LEADS:

7

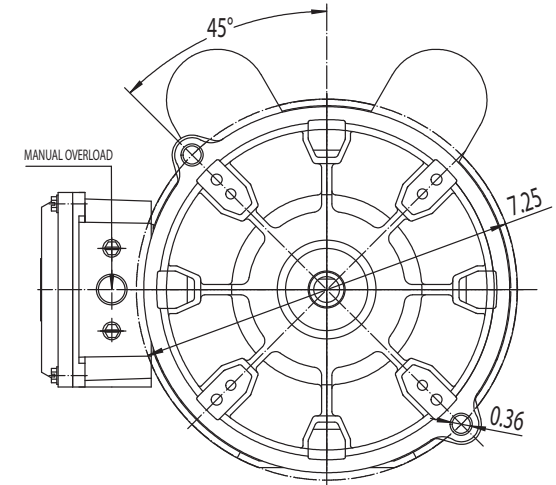
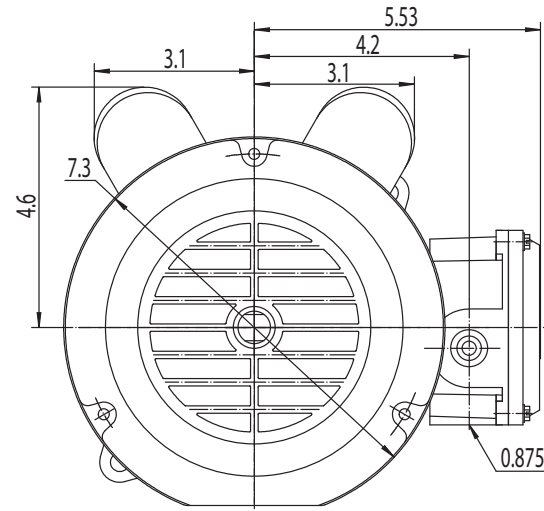
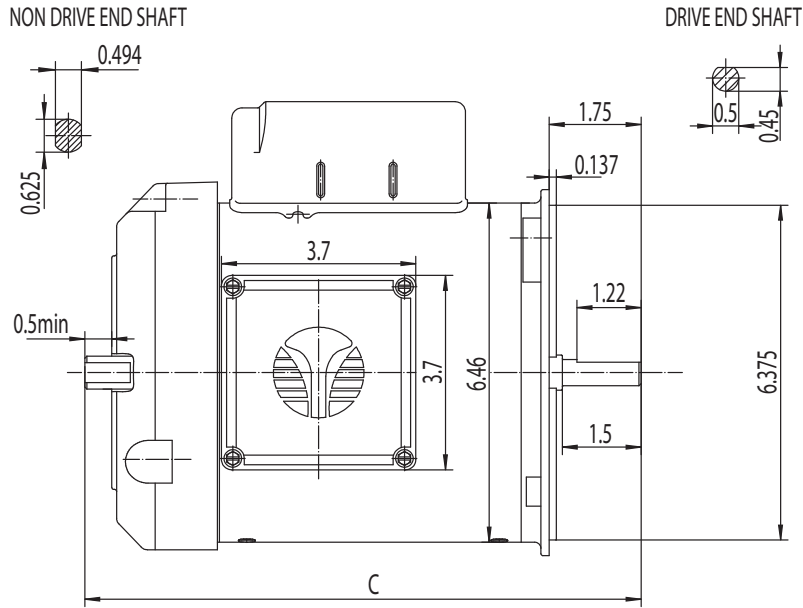
THERMAL PROTECTION:

Manual Reset

ISSUED DATE

23/01/24

FARM DUTY SINGLE PHASE AUGER MOTORS



HP	"C"
1/3	11.0
1/2	11.4
3/4	11.8



**TEFC 56Y**

**DRAWING NUMBER:**

RD1-RS-TF-56Y-RND

**ISSUED DATE**

23/01/24

**DIMENSIONS:**

Inches

**MOUNTING:**

Rigid/Y-Flange

**CASING MATERIAL:**

Rolled Steel

FARM DUTY SINGLE PHASE AUGER MOTORS