

NEMA

Model FDR.334C-C-RND-01
MFG PN: SLF561/3Z4L



AMPRO ELECTRIC LTD.
ECRA / ESA LICENCE #7015465

Model **FDR.334C-C-RND-01**

Product Data Package



MODEL	HP	RPM	VOLTAGE	PHASE	Hz	FRAME	MOUNT	ENCLOSURE
FDR.334C-C-RND-01	0.33	1725	115/208-230	1	60	56C	Round Body/C-Flange	TEFC

Toronto

TOLL FREE 1.888.286.1820
PHONE 905.829.1001
EMAIL info@techttopcanada.com

Montreal

TOLL FREE 1.844.354.5111
PHONE 514.354.1002
EMAIL infoQC@techttopcanada.com

Moncton

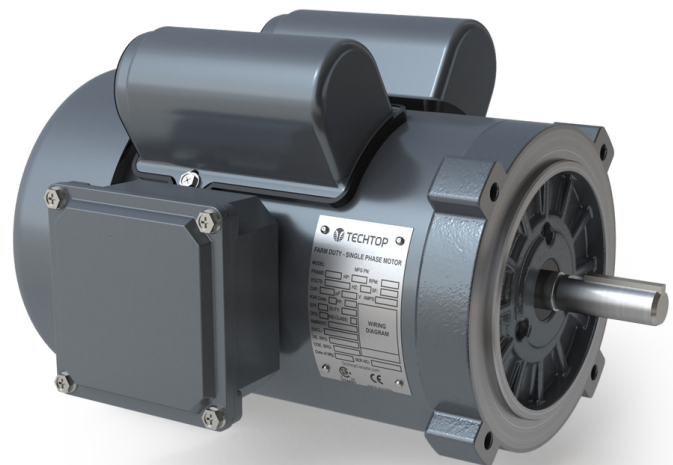
PHONE 506.386.5794
EMAIL infoNB@techttopcanada.com

Winnipeg

PHONE 204.633.2779
EMAIL infoMB@techttopcanada.com

Vancouver

PHONE 604.525.1551
EMAIL infoBC@techttopcanada.com



Index

Motor General Data Sheet	P 2
Nameplate Information	P 3
Technical Performance Data	P 4
Motor General Wiring Diagram	P 5
Motor General Outline Drawing	P 6



Model FDR.334C-C-RND-01
MFG PN: SLF561/3Z4L

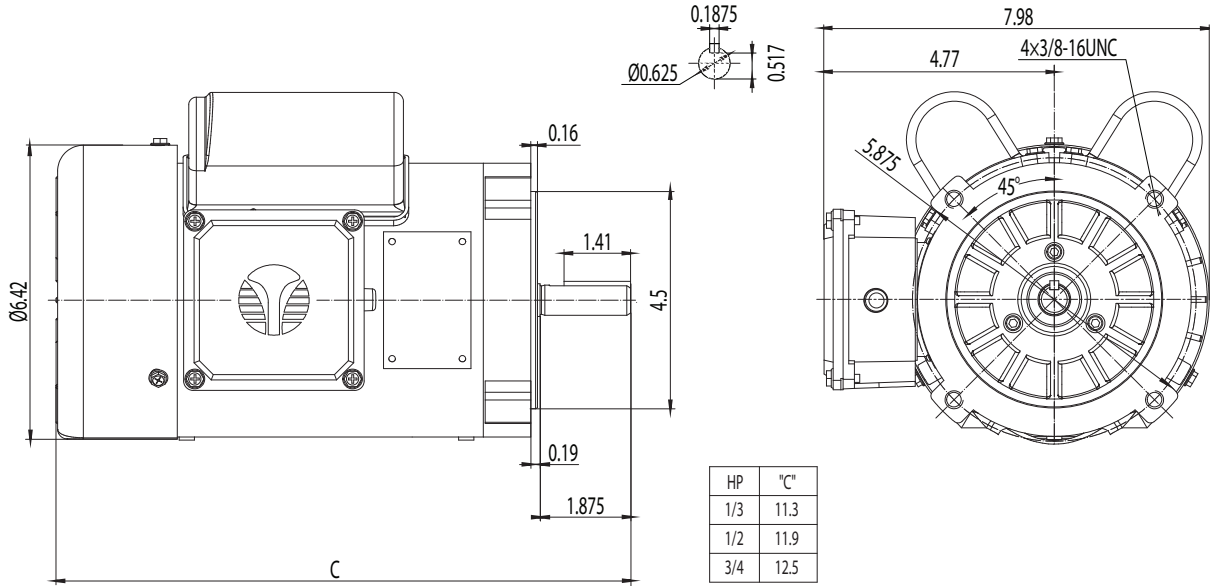
ELECTRICAL DATA		
Rated Motor Output Power	0.33	HP
	-	kW
Rated Motor Speed	1725	r/min 60Hz
	-	r/min 50Hz
Rated Motor Voltage (+/-10%)	115/208-230	V/60Hz
	-	V/50Hz
Rated Motor Current	3.7/2.0-1.85	A (I _n) @ 60Hz
	-	A (I _n) @ 50Hz
Phase	1	∅
Locked Rotor Current @ High Voltage	12.12	A (I _n) @ 60Hz
FI Current @ 208V	2	A (I _n) @ 60Hz
Service Factor	1.15	@ 60Hz
	-	@ 50Hz
KVA Code	K	60Hz
	-	50Hz
Nominal Efficiency	67	% @ 60Hz
Nominal Power Factor	0.9	cosΦ @ 60Hz
Leads (Qty, Size)	7	14
Connection	-	-
Coil Resistance	-	Ω
Start Capacitor	200/125	μF/V
Run Capacitor	30/250	μF/V
VFD DUTY (S.F. 1.0)		
Variable Torque	-	-
Constant Torque	-	-
FULL LOAD TEMPERATURE RISE		
Full Load Temperature Rise	39	°C @ 60Hz
	-	°C @ 50Hz

GENERAL DATA		
Frame Size	56C	
Enclosure	TEFC	
Mounting	Round Body/C-Flange	
Approximate Weight (lbs.)	23 lbs.	
Casing Material / Fan Cover	Rolled Steel	Steel
Shaft Material	1045	
NEMA Design	L	
Degree of Protection (IP)	54	
Insulation Class / Temp Rise (60Hz)	F	B
Tropicalization	NO	
Duty	Cont. / S1	
Conduit Box Location	F1	
Feet Removable / Double Drilled	-	-
Paintwork	7024	
	Graphite Gray	
MECHANICAL DATA		
Bearing DE Side	6203 2RS	
Bearing ODE Side	6202 2RS	
Grease Type	Mobil Polyrex EM	
Compensation Ring (wavy washer)	NDE	
Moment of Inertia (lb-ft ²)	-	
Sound Pressure @ 3 FT dBA	-	
SITE CONDITIONS		
Ambient Temperature (°C)	40	
Meters Above Sea Level (MASL)	1000	
HAZARDOUS LOCATIONS		
CSA Certified	-	
Temperature Code	-	-

Questions? Call 1.888.286.1820

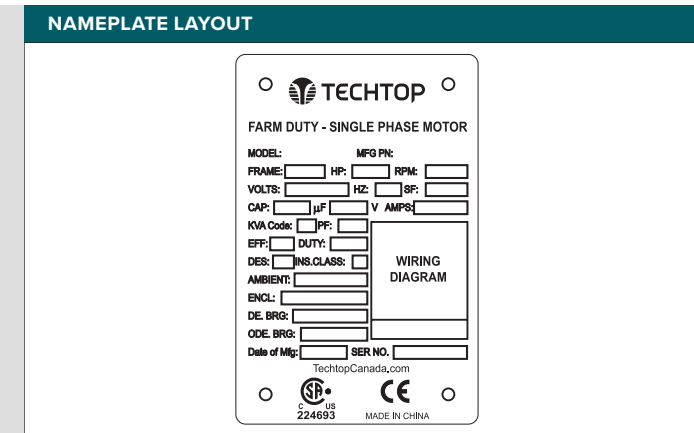
NEMA

Model FDR.334C-C-RND-01
 MFG PN: SLF561/3Z4L



HP	"C"
1/3	11.3
1/2	11.9
3/4	12.5

NAMEPLATE DATA	60Hz	50Hz
Horse Power	0.33	-
RPM	1725	-
Voltage	115/208-230	-
Full Load Amps	3.7/2.0-1.85	-
Service Factor	1.15	-
KVA Code	K	-
Full Load Amps (208V)	2	-
Nominal Efficiency	67	-
Nominal Power Factor	0.9	-
Design	L	
Frame	56C	
Enclosure Type	TEFC	
IP Rating	54	
Duty	Cont. / S1	
Insulation Class	F	
Ambient Rating	40	
Drive End Bearing	6203 2RS	
Opposite Drive End Bearing	6202 2RS	
Weight (lbs)	23	



CAPACITOR DATA	µF	VOLTAGE
Start Capacitor	200	125
Run Capacitor	30	250

*For max speed please contact Techtop Canada

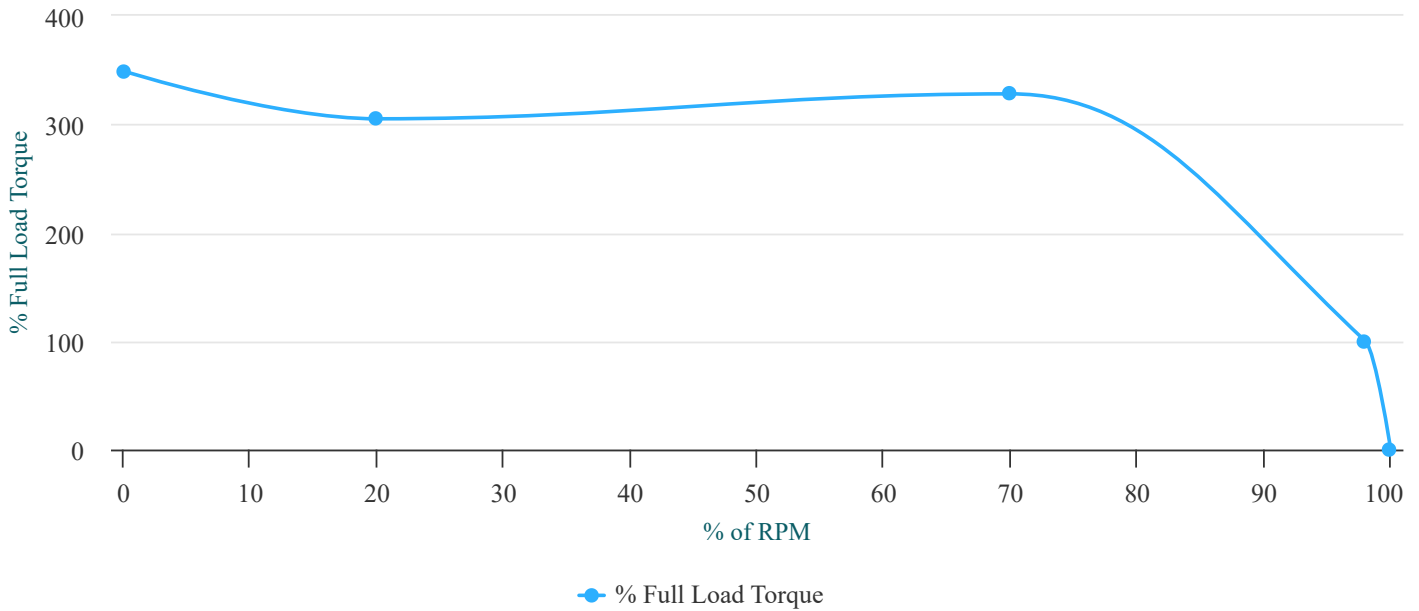
HAZARDOUS LOCATIONS	
Class / Division	-
Groups	-

Questions? Call 1.888.286.1820



Model FDR.334C-C-RND-01
 MFG PN: SLF561/3Z4L

Torque Speed (T-n) Curve



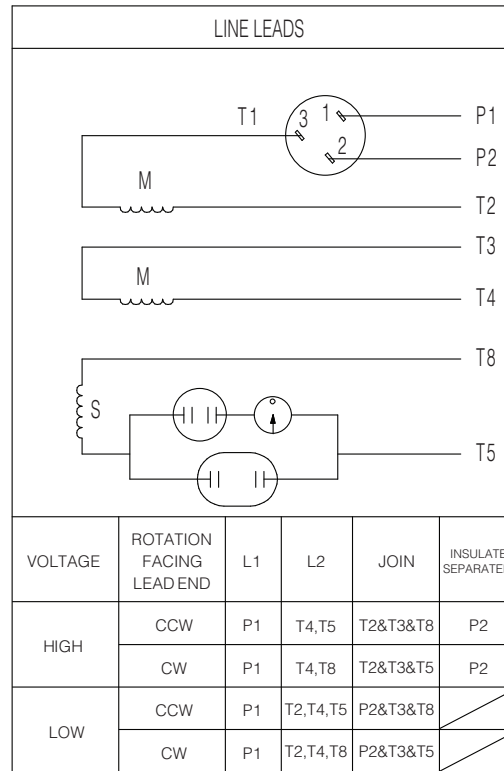
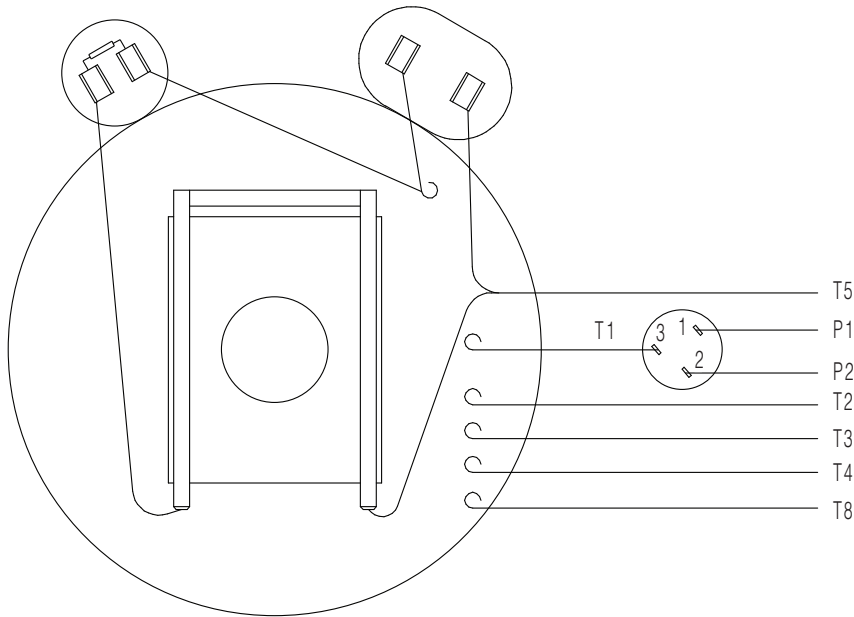
PERFORMANCE LOAD VALUES, HIGH VOLTAGE, 60Hz

TYPICAL PERFORMANCE - NOT GUARANTEED VALUES

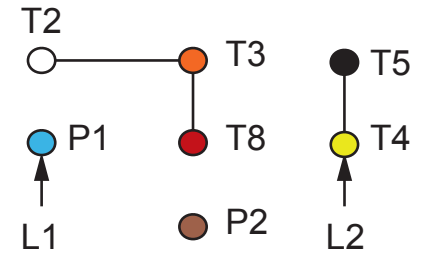
TORQUE VALUES	TORQUE (lb-ft)	TORQUE (% FULL LOAD)	PERFORMANCE VALUES	
Locked Rotor Torque	3.5	349	Start Configuration	D0L
Pull-Up Torque	3.1	305	Starting Current (A)	12.12
Breakdown Torque	3.3	328	No-Load Current (A)	1
Full Load Torque	1	100	No-Load Power Factor	0.13

% OF RATED LOAD	25	50	75	100	125	S.F. 1.25
Line Amperes (A)	-	-	-	1.7	-	-
Efficiency (%)	-	-	-	73	-	-
Speed (r/min)	-	-	-	1742	-	-
Power Factor (cosΦ)	-	-	-	0.25	-	-
Input Power (kW)	-	-	-	0.34	-	-

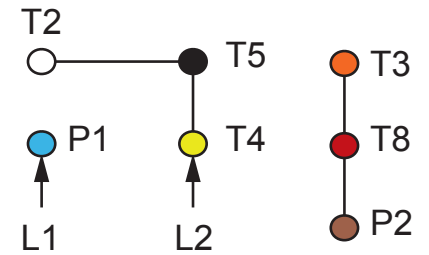
Questions? Call 1.888.286.1820



TO REVERSE ROTATION INTERCHANGE BLACK (T5) WITH RED (T8) FOR EITHER VOLTAGE



HIGH VOLTAGE



LOW VOLTAGE

NOTES:

1. CCW ROTATION FACING ODE FOR CONNECTIONS SHOWN
2. TO REVERSE ROTATION, SWAP ANY TWO INPUT LINES
3. WHEN MOTOR IS IN F1 POSITION, LEADS INDICATED WITH "*" EXIT THE CASING ABOVE THE CENTER LINE OF THE MOTOR, THE REMAINING LEADS EXIT BELOW THE CENTER LINE
4. LEADS MUST BE NUMBERED AND COLORED AS SHOWN
5. DIAGRAMS FOR REFERENCE ONLY



NEMA 1Ø Farm Duty Dual Voltage

DRAWING NUMBER: NEMA-FD-56-140T

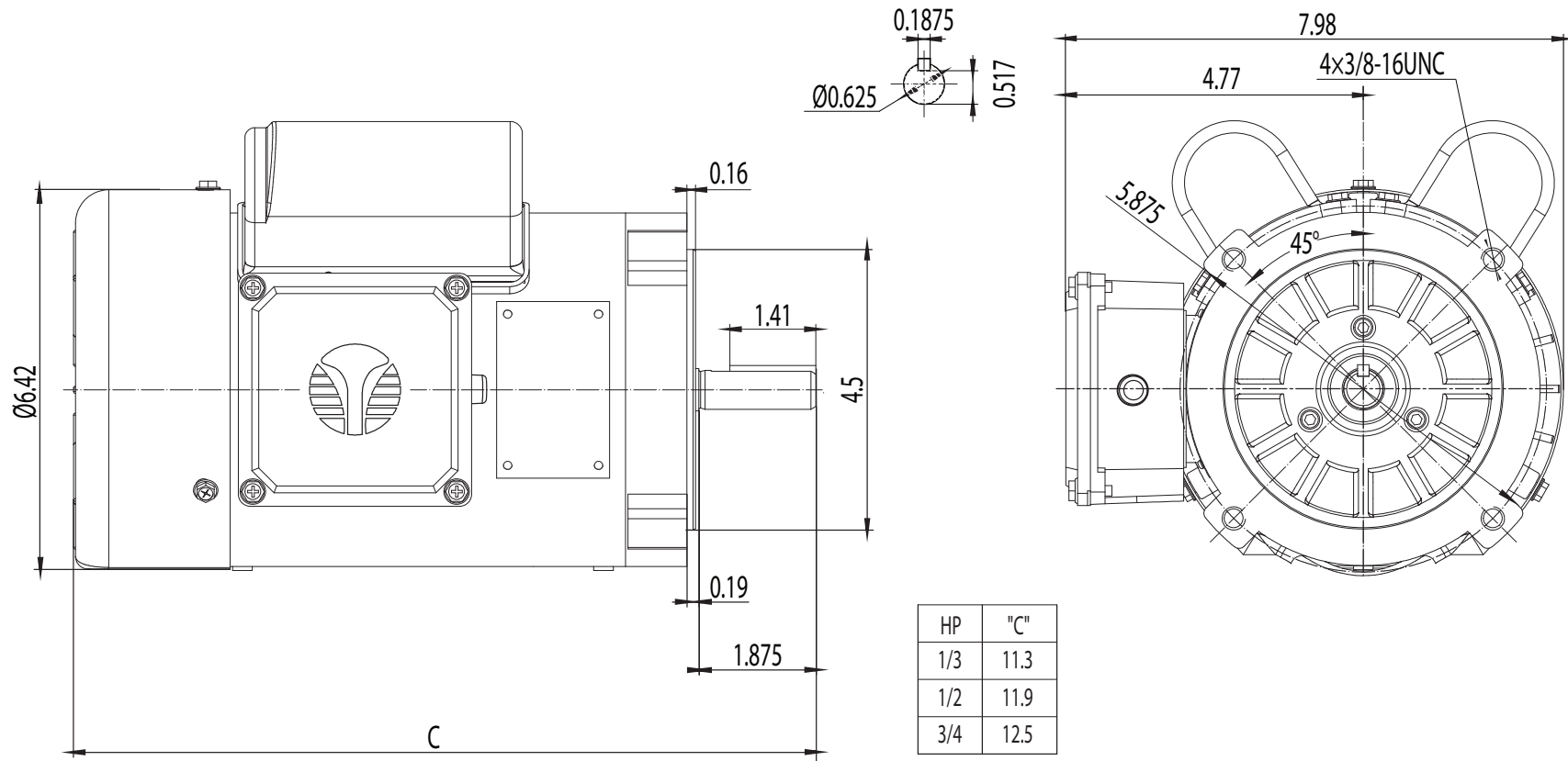
CONNECTION: -

NUMBER OF LEADS: 7

THERMAL PROTECTION: Manual Reset

ISSUED DATE 23/01/24

FARM DUTY SINGLE PHASE MOTORS



TEFC 56C

DRAWING NUMBER:

RD1-RS-TF-56C-RND-01

ISSUED DATE

23/01/24

DIMENSIONS:

Inches

MOUNTING:

Round Body/C-Flange

CASING MATERIAL:

Rolled Steel

FARM DUTY SINGLE PHASE MOTORS