

**NEMA**

Model **FDR.754C-C-01**  
MFG PN: SLF563/4Z4L



**AMPRO ELECTRIC LTD.**  
ECRA / ESA LICENCE #7015465

# Model **FDR.754C-C-01**

## Product Data Package



| MODEL         | HP   | RPM  | VOLTAGE     | PHASE | Hz | FRAME | MOUNT          | ENCLOSURE |
|---------------|------|------|-------------|-------|----|-------|----------------|-----------|
| FDR.754C-C-01 | 0.75 | 1725 | 115/208-230 | 1     | 60 | 56C   | Rigid/C-Flange | TEFC      |

### Toronto

TOLL FREE 1.888.286.1820  
PHONE 905.829.1001  
EMAIL info@techtopcanada.com

### Montreal

TOLL FREE 1.844.354.5111  
PHONE 514.354.1002  
EMAIL infoQC@techtopcanada.com

### Moncton

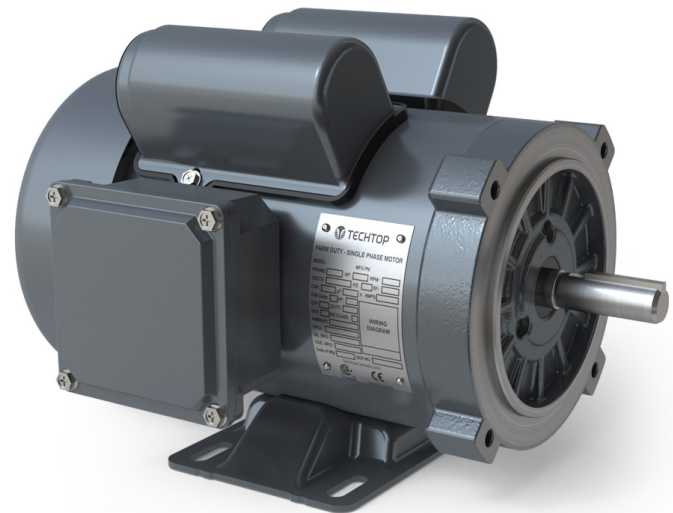
PHONE 506.386.5794  
EMAIL infoNB@techtopcanada.com

### Winnipeg

PHONE 204.633.2779  
EMAIL infoMB@techtopcanada.com

### Vancouver

PHONE 604.525.1551  
EMAIL infoBC@techtopcanada.com



### Index

|                               |     |
|-------------------------------|-----|
| Motor General Data Sheet      | P 2 |
| Nameplate Information         | P 3 |
| Technical Performance Data    | P 4 |
| Motor General Wiring Diagram  | P 5 |
| Motor General Outline Drawing | P 6 |



**Model FDR.754C-C-01**  
**MFG PN: SLF563/4Z4L**

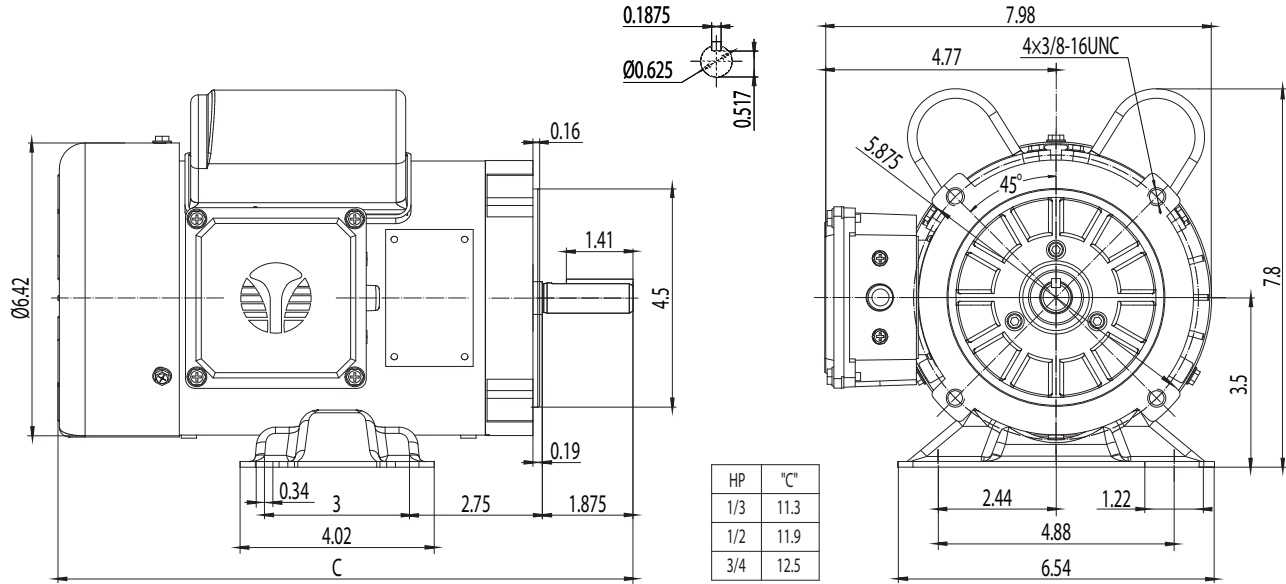
| ELECTRICAL DATA                     |             |                            |
|-------------------------------------|-------------|----------------------------|
| Rated Motor Output Power            | 0.75        | HP                         |
|                                     | -           | kW                         |
| Rated Motor Speed                   | 1725        | r/min 60Hz                 |
|                                     | -           | r/min 50Hz                 |
| Rated Motor Voltage (+/-10%)        | 115/208-230 | V/60Hz                     |
|                                     | -           | V/50Hz                     |
| Rated Motor Current                 | 7.4/4.1-3.7 | A (I <sub>n</sub> ) @ 60Hz |
|                                     | -           | A (I <sub>n</sub> ) @ 50Hz |
| Phase                               | 1           | ∅                          |
| Locked Rotor Current @ High Voltage | 22.59       | A (I <sub>n</sub> ) @ 60Hz |
| FI Current @ 208V                   | 4.1         | A (I <sub>n</sub> ) @ 60Hz |
| Service Factor                      | 1.15        | @ 60Hz                     |
|                                     | -           | @ 50Hz                     |
| KVA Code                            | J           | 60Hz                       |
|                                     | -           | 50Hz                       |
| Nominal Efficiency                  | 72          | % @ 60Hz                   |
| Nominal Power Factor                | 0.9         | cosΦ @ 60Hz                |
| Leads (Qty, Size)                   | 7           | 14                         |
| Connection                          | -           | -                          |
| Coil Resistance                     | -           | Ω                          |
| Start Capacitor                     | 300/125     | μF/V                       |
| Run Capacitor                       | 60/250      | μF/V                       |
| VFD DUTY (S.F. 1.0)                 |             |                            |
| Variable Torque                     | -           | -                          |
| Constant Torque                     | -           | -                          |
| FULL LOAD TEMPERATURE RISE          |             |                            |
| Full Load Temperature Rise          | 63          | °C @ 60Hz                  |
|                                     | -           | °C @ 50Hz                  |

| GENERAL DATA                            |                  |       |
|---|------------------|-------|
| Frame Size                              | 56C              |       |
| Enclosure                               | TEFC             |       |
| Mounting                                | Rigid/C-Flange   |       |
| Approximate Weight (lbs.)               | 30 lbs.          |       |
| Casing Material / Fan Cover             | Rolled Steel     | Steel |
| Shaft Material                          | 1045             |       |
| NEMA Design                             | L                |       |
| Degree of Protection (IP)               | 54               |       |
| Insulation Class / Temp Rise (60Hz)     | F                | B     |
| Tropicalization                         | NO               |       |
| Duty                                    | Cont. / S1       |       |
| Conduit Box Location                    | F1               |       |
| Feet Removable / Double Drilled         | NO               | NO    |
| Paintwork                               | 7024             |       |
|   | Graphite Gray    |       |
| MECHANICAL DATA                         |                  |       |
| Bearing DE Side                         | 6203 2RS         |       |
| Bearing ODE Side                        | 6202 2RS         |       |
| Grease Type                             | Mobil Polyrex EM |       |
| Compensation Ring (wavy washer)         | NDE              |       |
| Moment of Inertia (lb-ft <sup>2</sup> ) | -                |       |
| Sound Pressure @ 3 FT dBA               | -                |       |
| SITE CONDITIONS                         |                  |       |
| Ambient Temperature (°C)                | 40               |       |
| Meters Above Sea Level (MASL)           | 1000             |       |
| HAZARDOUS LOCATIONS                     |                  |       |
| CSA Certified                           | -                |       |
| Temperature Code                        | -                | -     |

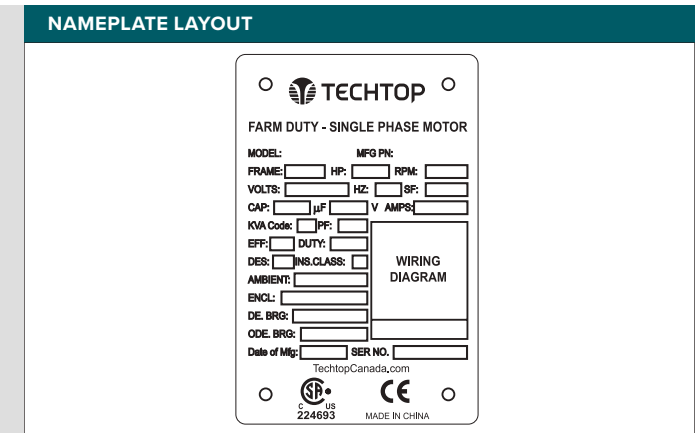
**Questions? Call 1.888.286.1820**

**NEMA**

**Model FDR.754C-C-01**  
 MFG PN: SLF563/4Z4L



| NAMEPLATE DATA             | 60Hz        | 50Hz |
|----------------------------|-------------|------|
| Horse Power                | 0.75        | -    |
| RPM                        | 1725        | -    |
| Voltage                    | 115/208-230 | -    |
| Full Load Amps             | 7.4/4.1-3.7 | -    |
| Service Factor             | 1.15        | -    |
| KVA Code                   | J           | -    |
| Full Load Amps (208V)      | 4.1         | -    |
| Nominal Efficiency         | 72          | -    |
| Nominal Power Factor       | 0.9         | -    |
| Design                     | L           |      |
| Frame                      | 56C         |      |
| Enclosure Type             | TEFC        |      |
| IP Rating                  | 54          |      |
| Duty                       | Cont. / S1  |      |
| Insulation Class           | F           |      |
| Ambient Rating             | 40          |      |
| Drive End Bearing          | 6203 2RS    |      |
| Opposite Drive End Bearing | 6202 2RS    |      |
| Weight (lbs)               | 30          |      |



| CAPACITOR DATA  | μF  | VOLTAGE |
|-----------------|-----|---------|
| Start Capacitor | 300 | 125     |
| Run Capacitor   | 60  | 250     |

\*For max speed please contact Techtop Canada

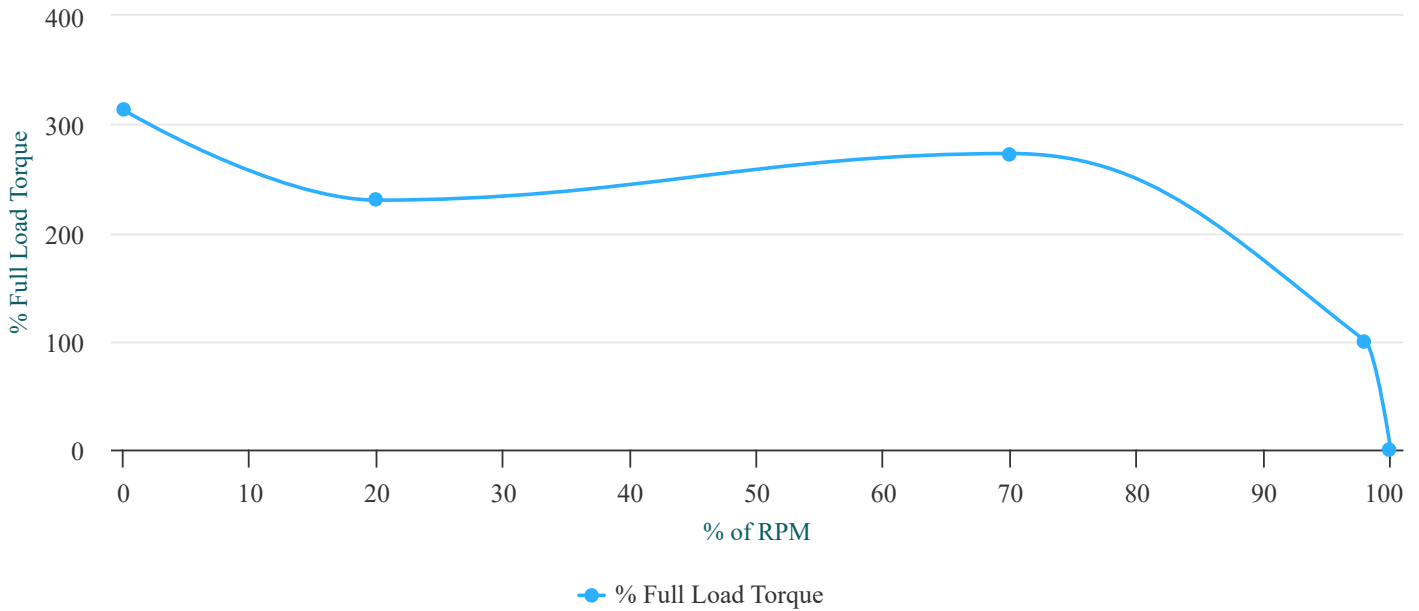
| HAZARDOUS LOCATIONS |   |
|---------------------|---|
| Class / Division    | - |
| Groups              | - |

**Questions? Call 1.888.286.1820**



**Model FDR.754C-C-01**  
 MFG PN: SLF563/4Z4L

### Torque Speed (T-n) Curve



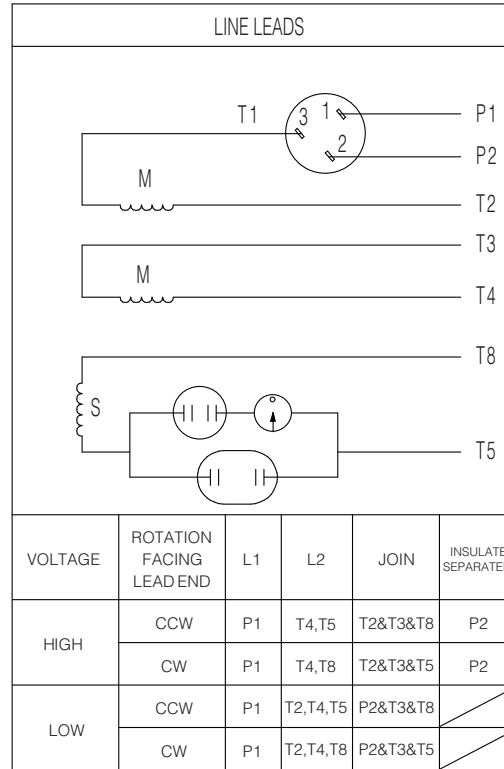
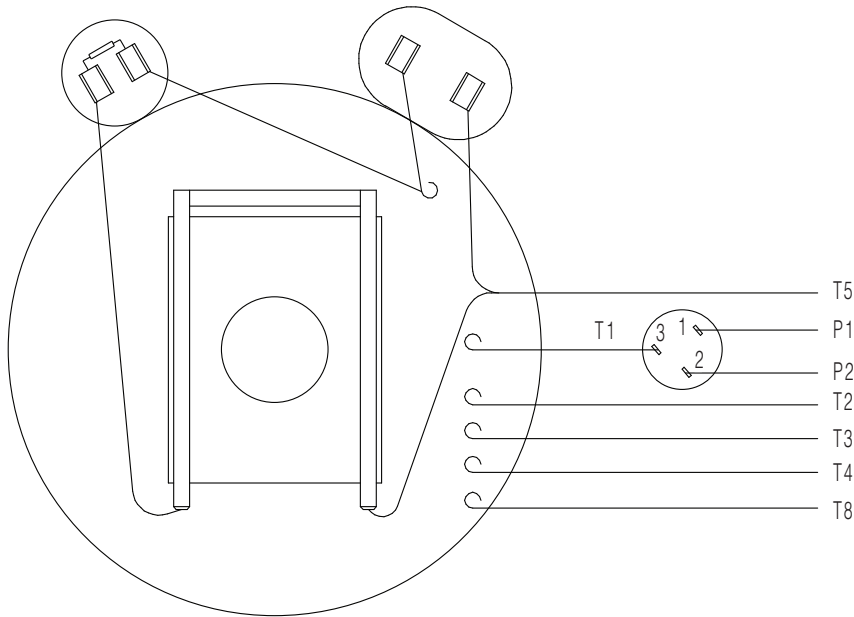
**PERFORMANCE LOAD VALUES, HIGH VOLTAGE, 60Hz**

**TYPICAL PERFORMANCE - NOT GUARANTEED VALUES**

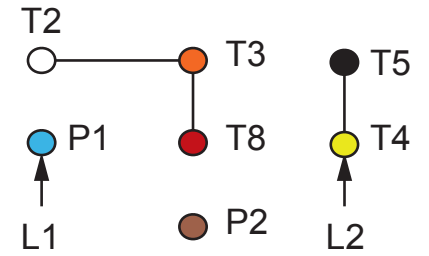
| TORQUE VALUES       | TORQUE (lb-ft) | TORQUE (% FULL LOAD) | PERFORMANCE VALUES   |       |
|---------------------|----------------|----------------------|----------------------|-------|
| Locked Rotor Torque | 7.1            | 313                  | Start Configuration  | DOL   |
| Pull-Up Torque      | 5.3            | 230                  | Starting Current (A) | 22.59 |
| Breakdown Torque    | 6.2            | 273                  | No-Load Current (A)  | 1.4   |
| Full Load Torque    | 2.3            | 100                  | No-Load Power Factor | 0.18  |

| % OF RATED LOAD     | 25 | 50 | 75 | 100  | 125 | S.F. 1.25 |
|---------------------|----|----|----|------|-----|-----------|
| Line Amperes (A)    | -  | -  | -  | 3.4  | -   | -         |
| Efficiency (%)      | -  | -  | -  | 76.6 | -   | -         |
| Speed (r/min)       | -  | -  | -  | 1733 | -   | -         |
| Power Factor (cosΦ) | -  | -  | -  | 0.27 | -   | -         |
| Input Power (kW)    | -  | -  | -  | 0.73 | -   | -         |

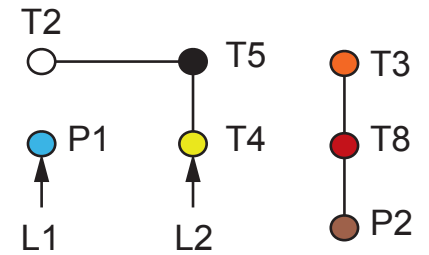
**Questions? Call 1.888.286.1820**



TO REVERSE ROTATION INTERCHANGE BLACK (T5) WITH RED (T8) FOR EITHER VOLTAGE



HIGH VOLTAGE



LOW VOLTAGE

NOTES:

1. CCW ROTATION FACING ODE FOR CONNECTIONS SHOWN
2. TO REVERSE ROTATION, SWAP ANY TWO INPUT LINES
3. WHEN MOTOR IS IN F1 POSITION, LEADS INDICATED WITH "\*" EXIT THE CASING ABOVE THE CENTER LINE OF THE MOTOR, THE REMAINING LEADS EXIT BELOW THE CENTER LINE
4. LEADS MUST BE NUMBERED AND COLORED AS SHOWN
5. DIAGRAMS FOR REFERENCE ONLY



### NEMA 1Ø Farm Duty Dual Voltage

DRAWING NUMBER:

NEMA-FD-56-140T

CONNECTION:

-

NUMBER OF LEADS:

7

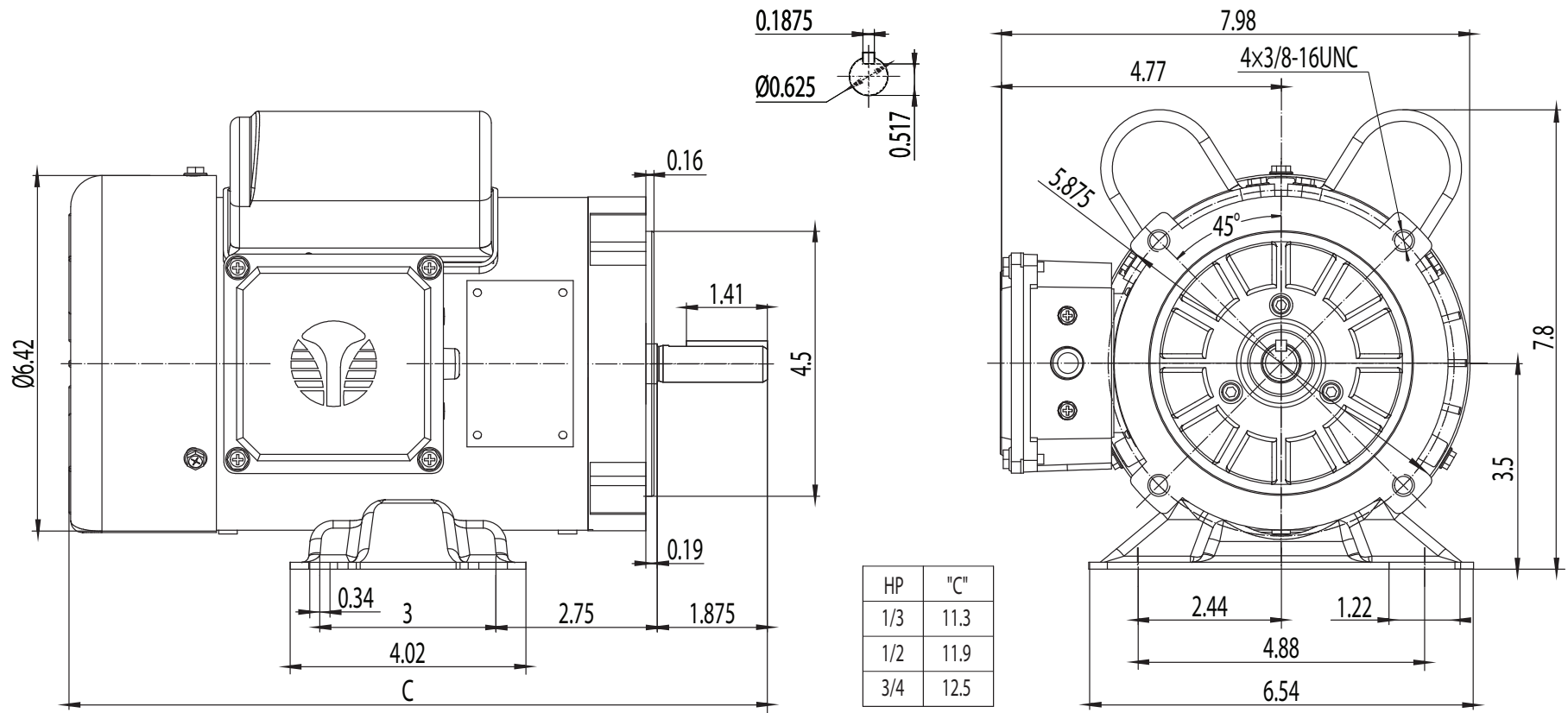
THERMAL PROTECTION:

Manual Reset

ISSUED DATE

17/01/24

FARM DUTY SINGLE PHASE MOTORS



**TEFC 56C**

**DRAWING NUMBER:**

RD1-RS-TF-56C-01

**ISSUED DATE**

17/01/24

**DIMENSIONS:**

Inches

**MOUNTING:**

Rigid/C-Flange

**CASING MATERIAL:**

Rolled Steel

FARM DUTY SINGLE PHASE MOTORS