

**NEMA**

Model **FDR0074B-TC-01-F0**  
MFG PN: SLF213TZ7.5Z4L



**AMPRO ELECTRIC LTD.**  
ECRA / ESA LICENCE #7015465

# Model **FDR0074B-TC-01-F0**

## Product Data Package



MODEL	HP	RPM	VOLTAGE	PHASE	Hz	FRAME	MOUNT	ENCLOSURE
FDR0074B-TC-01-F0	7.5	1740	208-230	1	60	213TCZ	Rigid/C-Flange	TEFC

### Toronto

TOLL FREE 1.888.286.1820  
PHONE 905.829.1001  
EMAIL [info@techttopcanada.com](mailto:info@techttopcanada.com)

### Montreal

TOLL FREE 1.844.354.5111  
PHONE 514.354.1002  
EMAIL [infoQC@techttopcanada.com](mailto:infoQC@techttopcanada.com)

### Moncton

PHONE 506.386.5794  
EMAIL [infoNB@techttopcanada.com](mailto:infoNB@techttopcanada.com)

### Winnipeg

PHONE 204.633.2779  
EMAIL [infoMB@techttopcanada.com](mailto:infoMB@techttopcanada.com)

### Vancouver

PHONE 604.525.1551  
EMAIL [infoBC@techttopcanada.com](mailto:infoBC@techttopcanada.com)



### Index

Motor General Data Sheet	P 2
Nameplate Information	P 3
Technical Performance Data	P 4
Motor General Wiring Diagram	P 5
Motor General Outline Drawing	P 6



**Model FDR0074B-TC-01-F0**  
**MFG PN: SLF213TZ7.5Z4L**

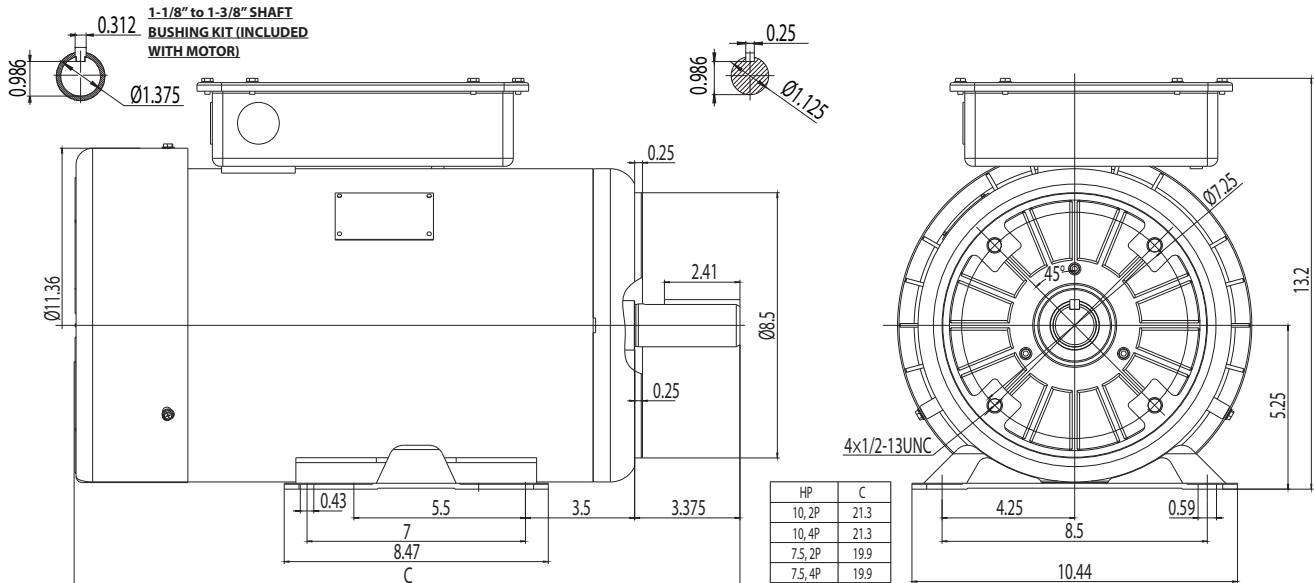
ELECTRICAL DATA		
Rated Motor Output Power	7.5	HP
	-	kW
Rated Motor Speed	1740	r/min 60Hz
	-	r/min 50Hz
Rated Motor Voltage (+/-10%)	208-230	V/60Hz
	-	V/50Hz
Rated Motor Current	34.3-31.0	A (I <sub>n</sub> ) @ 60Hz
	-	A (I <sub>n</sub> ) @ 50Hz
Phase	1	∅
Locked Rotor Current @ High Voltage	218.4	A (I <sub>n</sub> ) @ 60Hz
FI Current @ 208V	34.3	A (I <sub>n</sub> ) @ 60Hz
Service Factor	1.15	@ 60Hz
	-	@ 50Hz
KVA Code	H	60Hz
	-	50Hz
Nominal Efficiency	82	% @ 60Hz
Nominal Power Factor	0.94	cosΦ @ 60Hz
Leads (Qty, Size)	5	10
Connection	-	-
Coil Resistance	-	Ω
Start Capacitor	400×2/350	μF/V
Run Capacitor	80/450	μF/V
VFD DUTY (S.F. 1.0)		
	RATIO	Hz
Variable Torque	-	-
Constant Torque	-	-
FULL LOAD TEMPERATURE RISE		
Full Load Temperature Rise	85	°C @ 60Hz
	-	°C @ 50Hz

GENERAL DATA		
Frame Size	213TCZ	
Enclosure	TEFC	
Mounting	Rigid/C-Flange	
Approximate Weight (lbs.)	185 lbs.	
Casing Material / Fan Cover	Rolled Steel	Steel
Shaft Material	1045	
NEMA Design	L	
Degree of Protection (IP)	54	
Insulation Class / Temp Rise (60Hz)	F	B
Tropicalization	NO	
Duty	Cont. / S1	
Conduit Box Location	F0	
Feet Removable / Double Drilled	NO	YES
Paintwork	7024	
	Graphite Gray	
MECHANICAL DATA		
Bearing DE Side	6208 2RS	
Bearing ODE Side	6206 2RS	
Grease Type	Mobil Polyrex EM	
Compensation Ring (wavy washer)	NDE	
Moment of Inertia (lb-ft <sup>2</sup> )	-	
Sound Pressure @ 3 FT dBA	-	
SITE CONDITIONS		
Ambient Temperature (°C)	40	
Meters Above Sea Level (MASL)	1000	
HAZARDOUS LOCATIONS		
CSA Certified	-	
Temperature Code	-	-

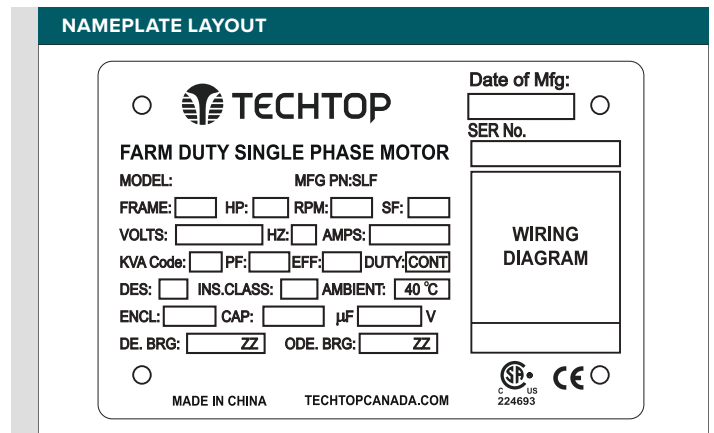
**Questions? Call 1.888.286.1820**

**NEMA**

**Model FDR0074B-TC-01-F0**  
**MFG PN: SLF213TZ7.5Z4L**



NAMEPLATE DATA	60Hz	50Hz
Horse Power	7.5	-
RPM	1740	-
Voltage	208-230	-
Full Load Amps	34.3-31.0	-
Service Factor	1.15	-
KVA Code	H	-
Full Load Amps (208V)	34.3	-
Nominal Efficiency	82	-
Nominal Power Factor	0.94	-
Design	L	
Frame	213TCZ	
Enclosure Type	TEFC	
IP Rating	54	
Duty	Cont. / S1	
Insulation Class	F	
Ambient Rating	40	
Drive End Bearing	6208 2RS	
Opposite Drive End Bearing	6206 2RS	
Weight (lbs)	185	



CAPACITOR DATA	µF	VOLTAGE
Start Capacitor	400 × 2	350
Run Capacitor	80	450

\*For max speed please contact Techtop Canada

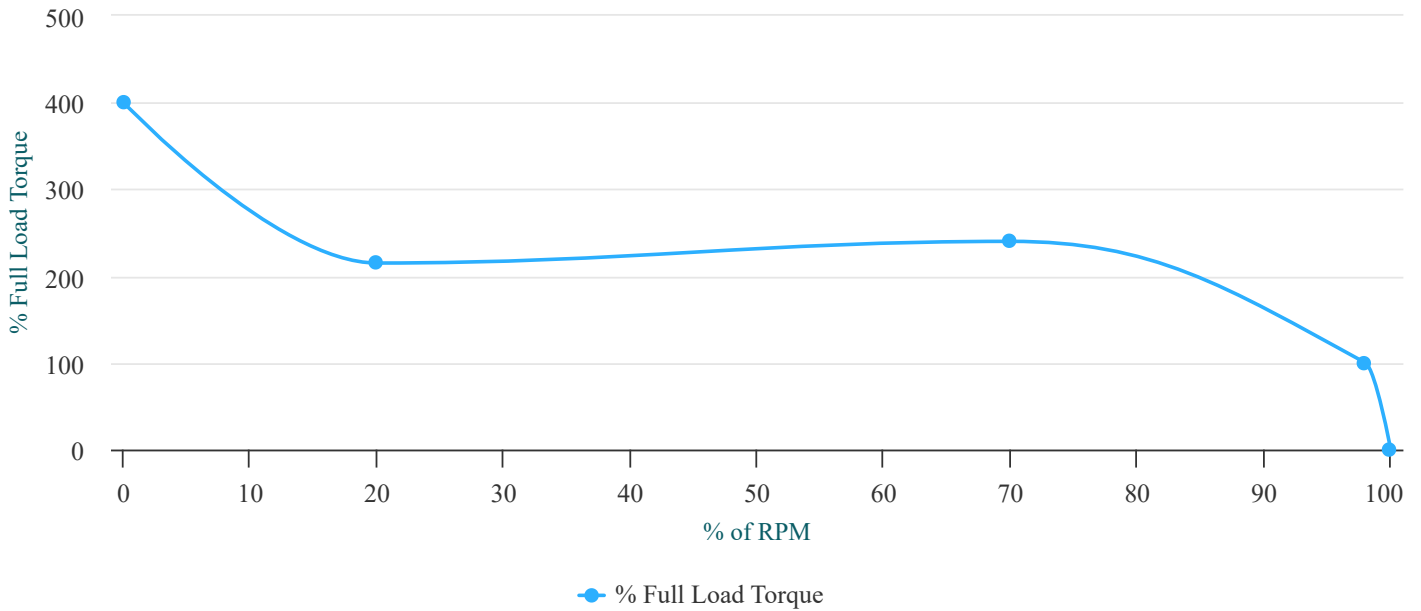
HAZARDOUS LOCATIONS	
Class / Division	-
Groups	-

**Questions? Call 1.888.286.1820**



**Model FDR0074B-TC-01-F0**  
 MFG PN: SLF213TZ7.5Z4L

### Torque Speed (T-n) Curve



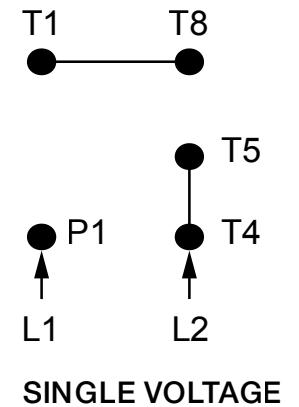
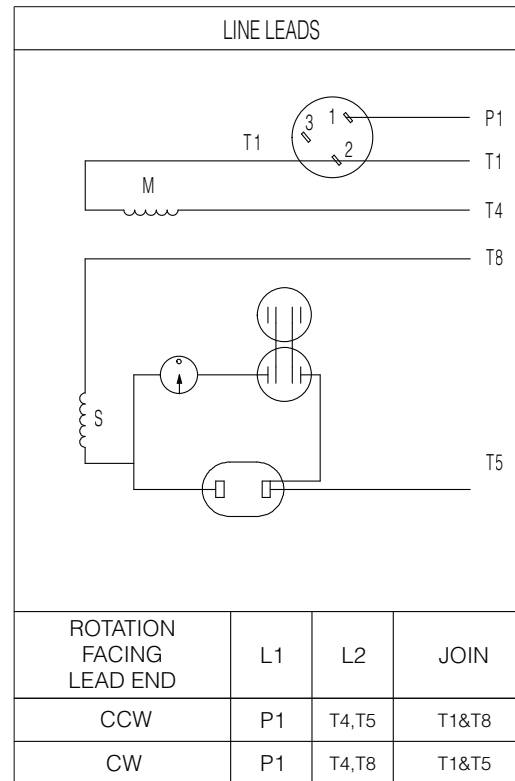
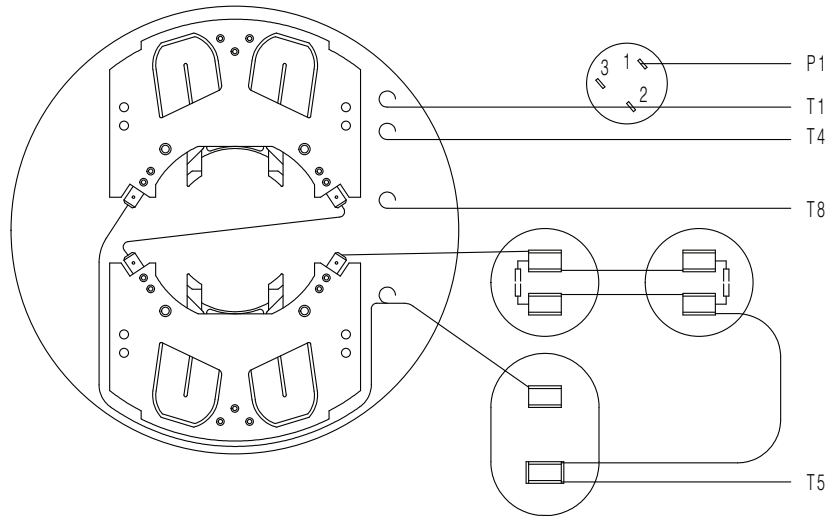
**PERFORMANCE LOAD VALUES, HIGH VOLTAGE, 60Hz**

**TYPICAL PERFORMANCE - NOT GUARANTEED VALUES**

TORQUE VALUES	TORQUE (lb-ft)	TORQUE (% FULL LOAD)	PERFORMANCE VALUES	
Locked Rotor Torque	90.6	400	Start Configuration	DOL
Pull-Up Torque	48.7	215	Starting Current (A)	218.4
Breakdown Torque	54.3	240	No-Load Current (A)	7.7
Full Load Torque	22.6	100	No-Load Power Factor	-

% OF RATED LOAD	25	50	75	100	125	S.F. 1.25
Line Amperes (A)	-	-	-	31.8	-	-
Efficiency (%)	-	-	-	82	-	-
Speed (r/min)	-	-	-	1756	-	-
Power Factor (cosΦ)	-	-	-	-	-	-
Input Power (kW)	-	-	-	-	-	-

**Questions? Call 1.888.286.1820**



NOTES:

1. CCW ROTATION FACING ODE FOR CONNECTIONS SHOWN
2. TO REVERSE ROTATION, SWAP ANY TWO INPUT LINES
3. WHEN MOTOR IS IN F1 POSITION, LEADS INDICATED WITH "\*" EXIT THE CASING ABOVE THE CENTER LINE OF THE MOTOR, THE REMAINING LEADS EXIT BELOW THE CENTER LINE
4. LEADS MUST BE NUMBERED AND COLORED AS SHOWN
5. DIAGRAMS FOR REFERENCE ONLY



**NEMA 10 Farm Duty Single Voltage**

**DRAWING NUMBER:**

NEMA-FD-213T

**CONNECTION:**

-

**NUMBER OF LEADS:**

5

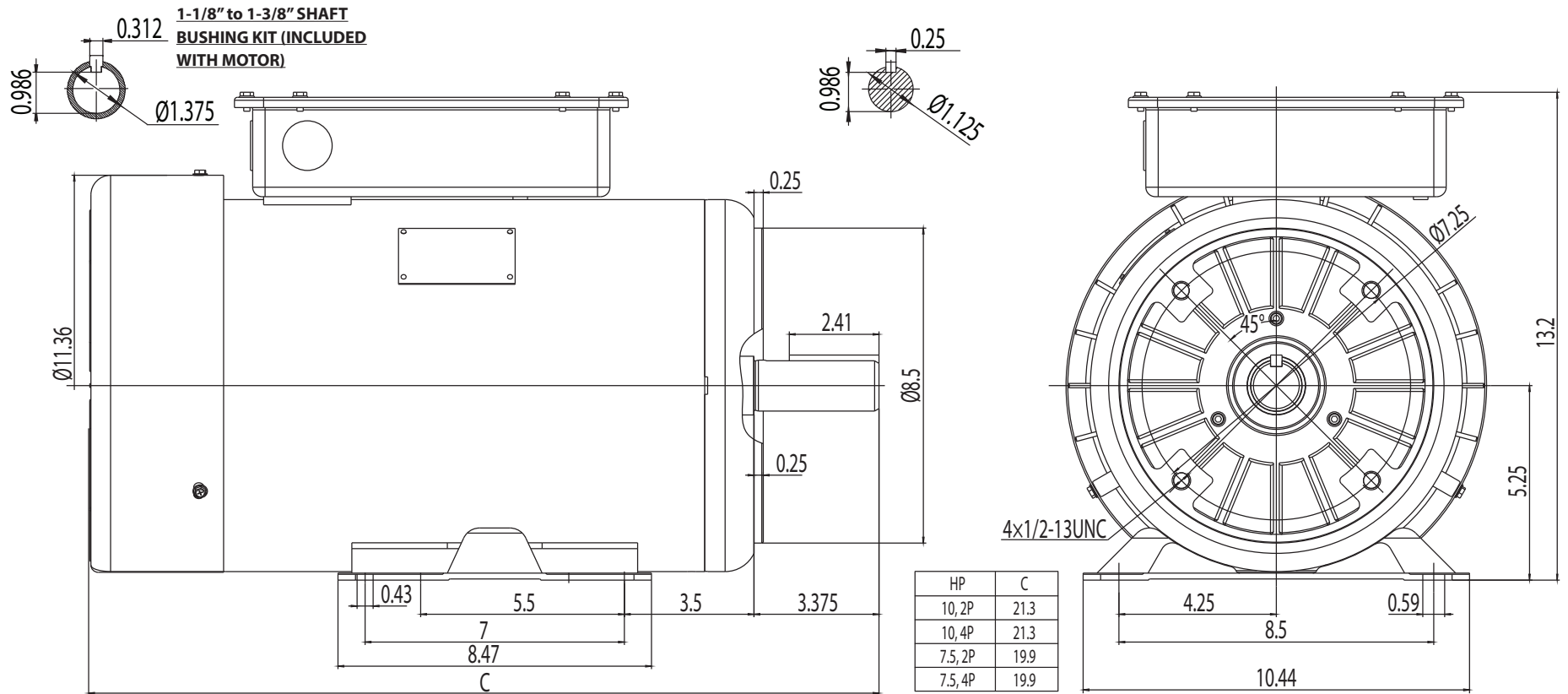
**THERMAL PROTECTION:**

Manual Reset

**ISSUED DATE**

18/01/24

FARM DUTY SINGLE PHASE MOTORS



**TEFC 213TCZ**

**DRAWING NUMBER:**

RD1-RS-TF-213TCZ-01-F0

**ISSUED DATE**

18/01/24

**DIMENSIONS:**

Inches

**MOUNTING:**

Rigid/C-Flange

**CASING MATERIAL:**

Rolled Steel

FARM DUTY SINGLE PHASE MOTORS