

NEMA

Model **FDR0014C-T-01**
MFG PN: SLF145T1.5Z4L



AMPRO ELECTRIC LTD.
ECRA / ESA LICENCE #7015465

Model **FDR0014C-T-01**

Product Data Package



MODEL	HP	RPM	VOLTAGE	PHASE	Hz	FRAME	MOUNT	ENCLOSURE
FDR0014C-T-01	1.5	1740	115/208-230	1	60	143T	Rigid	TEFC

Toronto

TOLL FREE 1.888.286.1820
PHONE 905.829.1001
EMAIL info@techtopcanada.com

Montreal

TOLL FREE 1.844.354.5111
PHONE 514.354.1002
EMAIL infoQC@techtopcanada.com

Moncton

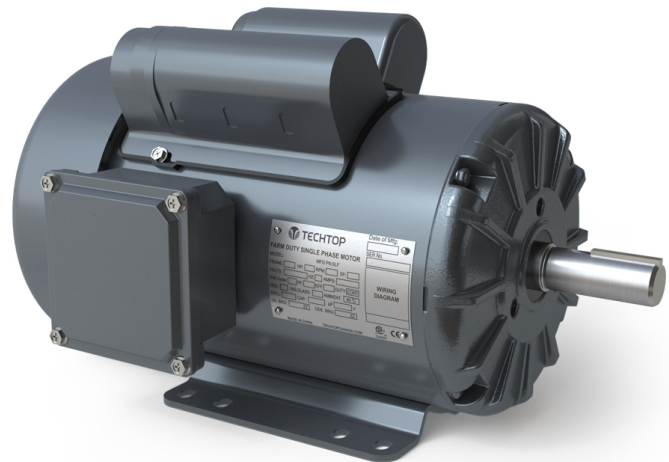
PHONE 506.386.5794
EMAIL infoNB@techtopcanada.com

Winnipeg

PHONE 204.633.2779
EMAIL infoMB@techtopcanada.com

Vancouver

PHONE 604.525.1551
EMAIL infoBC@techtopcanada.com



Index

Motor General Data Sheet	P 2
Nameplate Information	P 3
Technical Performance Data	P 4
Motor General Wiring Diagram	P 5
Motor General Outline Drawing	P 6



Model FDR0014C-T-01
MFG PN: SLF145T1.5Z4L

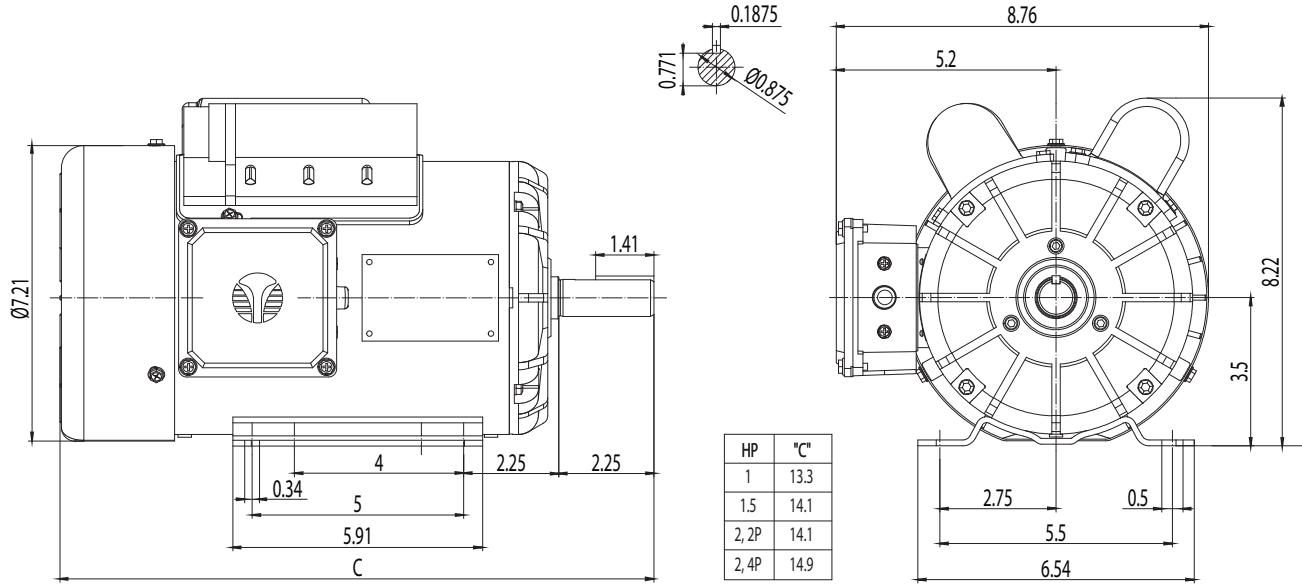
ELECTRICAL DATA		
Rated Motor Output Power	1.5	HP
	-	kW
Rated Motor Speed	1740	r/min 60Hz
	-	r/min 50Hz
Rated Motor Voltage (+/-10%)	115/208-230	V/60Hz
	-	V/50Hz
Rated Motor Current	13.3/7.2-6.65	A (I _n) @ 60Hz
	-	A (I _n) @ 50Hz
Phase	1	∅
Locked Rotor Current @ High Voltage	43.34	A (I _n) @ 60Hz
FI Current @ 208V	7.2	A (I _n) @ 60Hz
Service Factor	1.15	@ 60Hz
	-	@ 50Hz
KVA Code	H	60Hz
	-	50Hz
Nominal Efficiency	79.5	% @ 60Hz
Nominal Power Factor	0.92	cosΦ @ 60Hz
Leads (Qty, Size)	7	14
Connection	-	-
Coil Resistance	-	Ω
Start Capacitor	400/165	µF/V
Run Capacitor	80/250	µF/V
VFD DUTY (S.F. 1.0)		
	RATIO	Hz
Variable Torque	-	-
Constant Torque	-	-
FULL LOAD TEMPERATURE RISE		
Full Load Temperature Rise	65	°C @ 60Hz
	-	°C @ 50Hz

GENERAL DATA		
Frame Size	143T	
Enclosure	TEFC	
Mounting	Rigid	
Approximate Weight (lbs.)	48 lbs.	
Casing Material / Fan Cover	Rolled Steel	Steel
Shaft Material	1045	
NEMA Design	L	
Degree of Protection (IP)	54	
Insulation Class / Temp Rise (60Hz)	F	B
Tropicalization	NO	
Duty	Cont. / S1	
Conduit Box Location	F1	
Feet Removable / Double Drilled	NO	YES
Paintwork	7024	
	Graphite Gray	
MECHANICAL DATA		
Bearing DE Side	6205 2RS	
Bearing ODE Side	6203 2RS	
Grease Type	Mobil Polyrex EM	
Compensation Ring (wavy washer)	NDE	
Moment of Inertia (lb-ft ²)	-	
Sound Pressure @ 3 FT dBA	-	
SITE CONDITIONS		
Ambient Temperature (°C)	40	
Meters Above Sea Level (MASL)	1000	
HAZARDOUS LOCATIONS		
CSA Certified	-	
Temperature Code	-	-

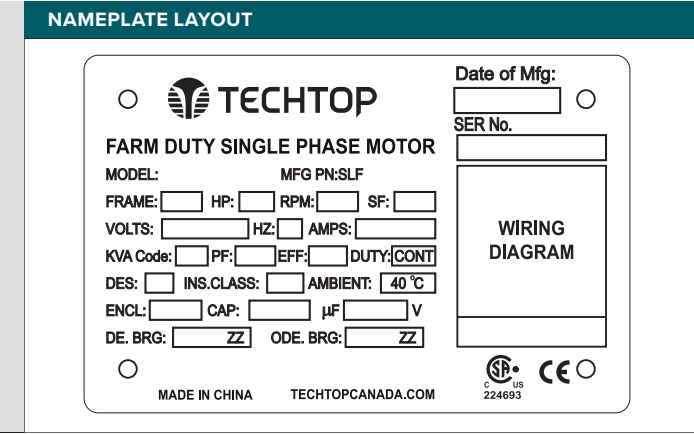
Questions? Call 1.888.286.1820

NEMA

Model FDR0014C-T-01
 MFG PN: SLF145T1.5Z4L



NAMEPLATE DATA	60Hz	50Hz
Horse Power	1.5	-
RPM	1740	-
Voltage	115/208-230	-
Full Load Amps	13.3/7.2-6.65	-
Service Factor	1.15	-
KVA Code	H	-
Full Load Amps (208V)	7.2	-
Nominal Efficiency	79.5	-
Nominal Power Factor	0.92	-
Design	L	
Frame	143T	
Enclosure Type	TEFC	
IP Rating	54	
Duty	Cont. / S1	
Insulation Class	F	
Ambient Rating	40	
Drive End Bearing	6205 2RS	
Opposite Drive End Bearing	6203 2RS	
Weight (lbs)	48	



CAPACITOR DATA	μF	VOLTAGE
Start Capacitor	400	165
Run Capacitor	80	250

*For max speed please contact Techtop Canada

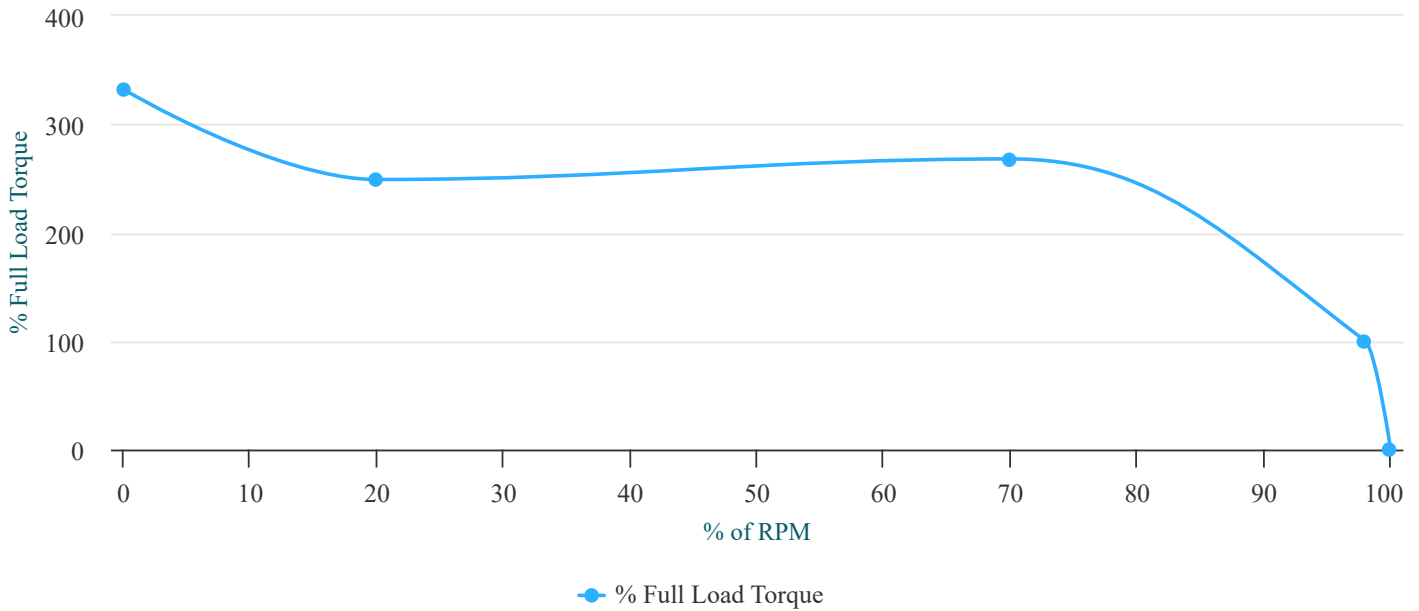
HAZARDOUS LOCATIONS	
Class / Division	-
Groups	-

Questions? Call 1.888.286.1820



Model FDR0014C-T-01
 MFG PN: SLF145T1.5Z4L

Torque Speed (T-n) Curve



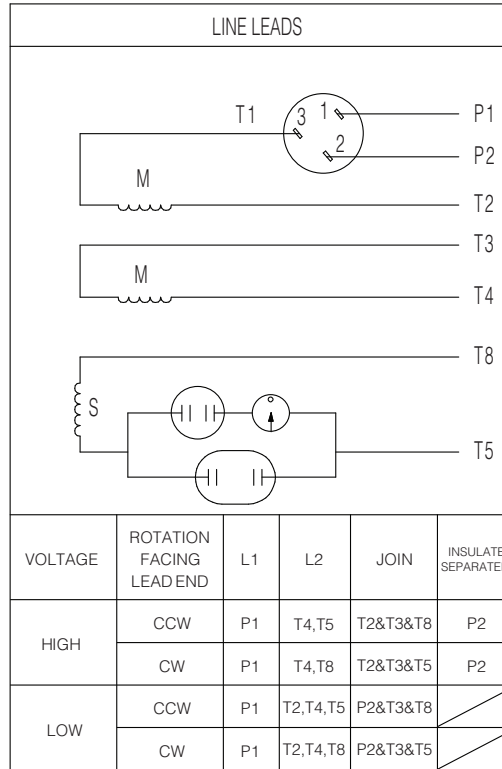
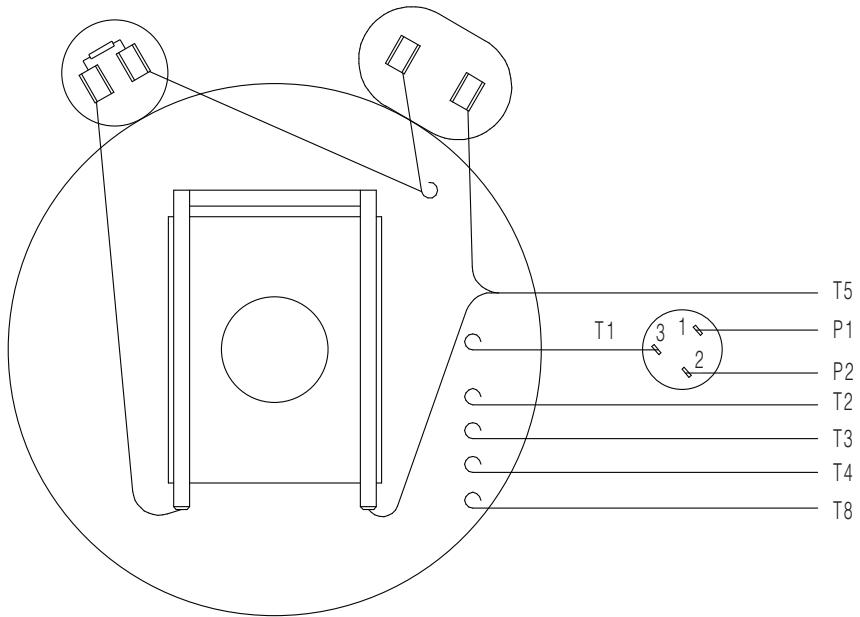
PERFORMANCE LOAD VALUES, HIGH VOLTAGE, 60Hz

TYPICAL PERFORMANCE - NOT GUARANTEED VALUES

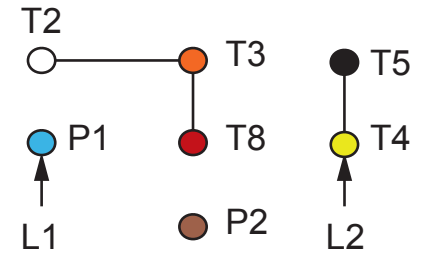
TORQUE VALUES	TORQUE (lb-ft)	TORQUE (% FULL LOAD)	PERFORMANCE VALUES	
Locked Rotor Torque	15	332	Start Configuration	D0L
Pull-Up Torque	11.3	249	Starting Current (A)	43.34
Breakdown Torque	12.1	268	No-Load Current (A)	2.7
Full Load Torque	4.5	100	No-Load Power Factor	0.2

% OF RATED LOAD	25	50	75	100	125	S.F. 1.25
Line Amperes (A)	-	-	-	6.7	-	-
Efficiency (%)	-	-	-	75.5	-	-
Speed (r/min)	-	-	-	1740	-	-
Power Factor (cosΦ)	-	-	-	0.28	-	-
Input Power (kW)	-	-	-	1.49	-	-

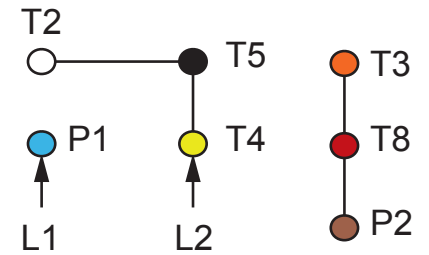
Questions? Call 1.888.286.1820



TO REVERSE ROTATION INTERCHANGE BLACK (T5) WITH RED (T8) FOR EITHER VOLTAGE



HIGH VOLTAGE



LOW VOLTAGE

NOTES:

1. CCW ROTATION FACING ODE FOR CONNECTIONS SHOWN
2. TO REVERSE ROTATION, SWAP ANY TWO INPUT LINES
3. WHEN MOTOR IS IN F1 POSITION, LEADS INDICATED WITH "*" EXIT THE CASING ABOVE THE CENTER LINE OF THE MOTOR, THE REMAINING LEADS EXIT BELOW THE CENTER LINE
4. LEADS MUST BE NUMBERED AND COLORED AS SHOWN
5. DIAGRAMS FOR REFERENCE ONLY



NEMA 1Ø Farm Duty Dual Voltage

DRAWING NUMBER: NEMA-FD-56-140T

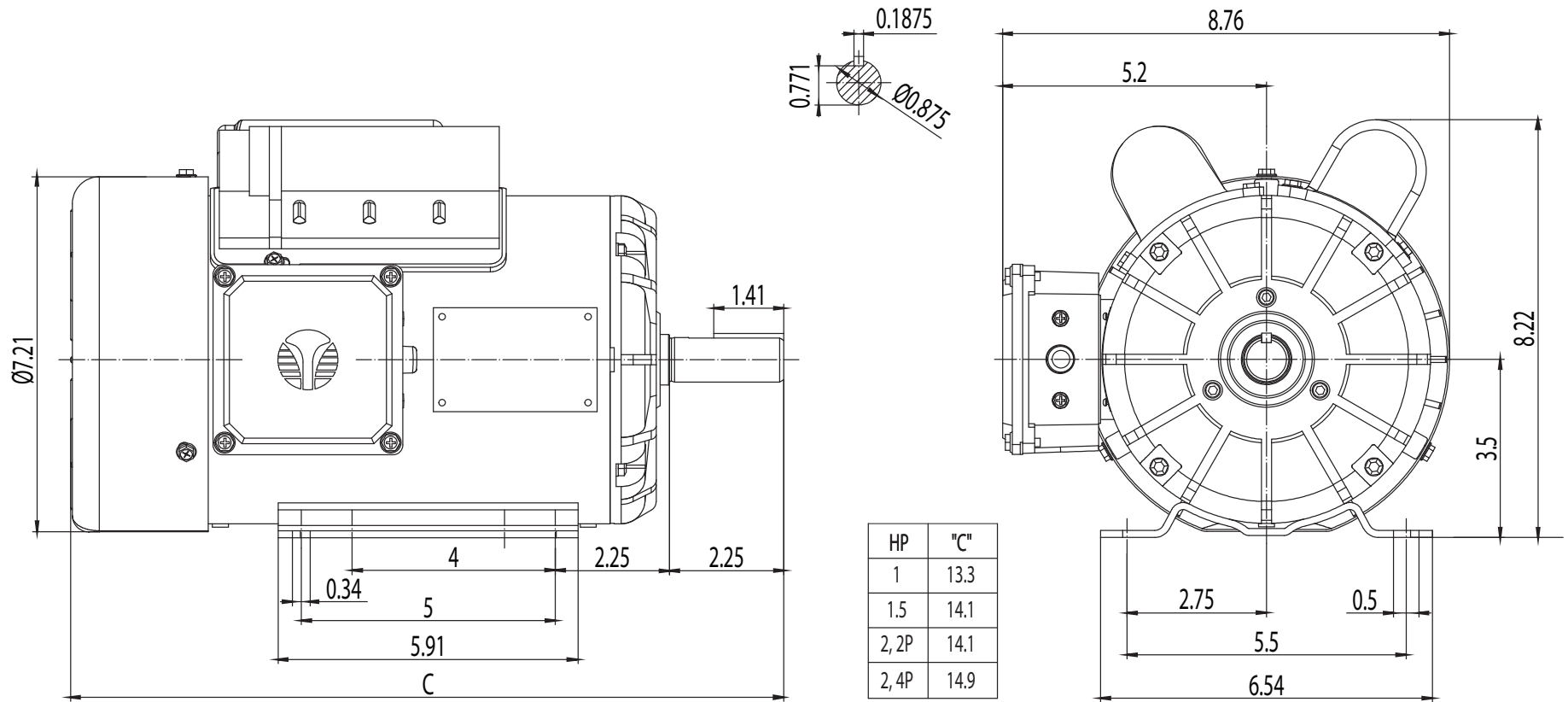
CONNECTION: -

NUMBER OF LEADS: 7

THERMAL PROTECTION: Manual Reset

ISSUED DATE 18/01/24

FARM DUTY SINGLE PHASE MOTORS



TEFC 143T

DRAWING NUMBER:

RD1-RS-TF-140T-01

ISSUED DATE

18/01/24

DIMENSIONS:

Inches

MOUNTING:

Rigid

CASING MATERIAL:

Rolled Steel

FARM DUTY SINGLE PHASE MOTORS