

**NEMA**

**Model BLA.334D-C-01**  
 MFG PN: T561/3U4B

# Model **BLA.334D-C-01**

## Product Data Package



| MODEL         | HP   | RPM  | VOLTAGE     | PHASE | Hz | FRAME | MOUNT          | ENCLOSURE |
|---------------|------|------|-------------|-------|----|-------|----------------|-----------|
| BLA.334D-C-01 | 0.33 | 1725 | 208-230/460 | 3     | 60 | 56C   | Rigid/C-Flange | TEFC      |

### Toronto

TOLL FREE 1.888.286.1820  
 PHONE 905.829.1001  
 EMAIL info@techttopcanada.com

### Montreal

TOLL FREE 1.844.354.5111  
 PHONE 514.354.1002  
 EMAIL infoQC@techttopcanada.com

### Moncton

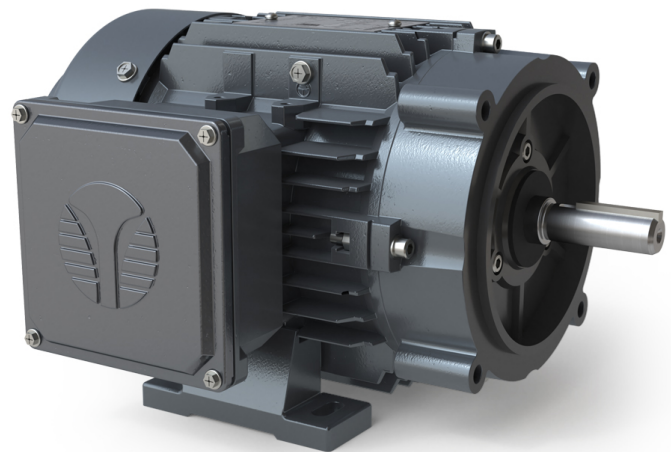
PHONE 506.386.5794  
 EMAIL infoNB@techttopcanada.com

### Winnipeg

PHONE 204.633.2779  
 EMAIL infoMB@techttopcanada.com

### Vancouver

PHONE 604.525.1551  
 EMAIL infoBC@techttopcanada.com



### Index

|                               |     |
|-------------------------------|-----|
| Motor General Data Sheet      | P 2 |
| Nameplate Information         | P 3 |
| Technical Performance Data    | P 4 |
| Motor General Wiring Diagram  | P 5 |
| Motor General Outline Drawing | P 6 |



**Model BLA.334D-C-01**  
**MFG PN: T561/3U4B**

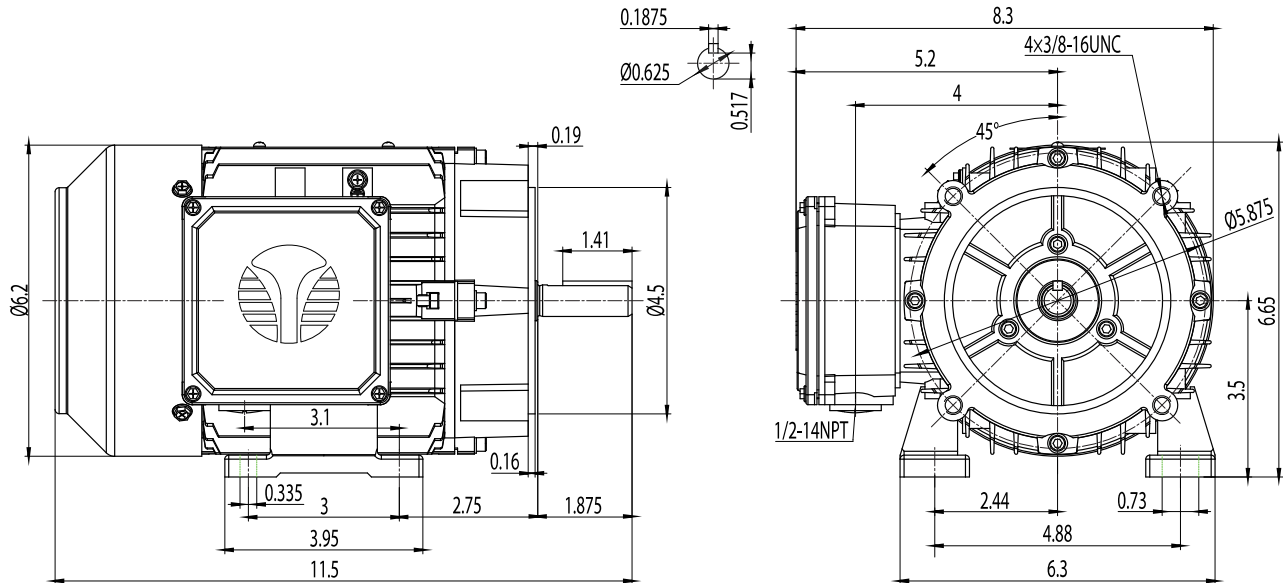
| ELECTRICAL DATA                     |              |                            |
|-------------------------------------|--------------|----------------------------|
| Rated Motor Output Power            | 0.33         | HP                         |
|                                     | -            | kW                         |
| Rated Motor Speed                   | 1725         | r/min 60Hz                 |
|                                     | -            | r/min 50Hz                 |
| Rated Motor Voltage (+/-10%)        | 208-230/460  | V/60Hz                     |
|                                     | -            | V/50Hz                     |
| Rated Motor Current                 | 1.5-1.7/0.85 | A (I <sub>n</sub> ) @ 60Hz |
|                                     | -            | A (I <sub>n</sub> ) @ 50Hz |
| Phase                               | 3            | ∅                          |
| Locked Rotor Current @ High Voltage | 7.16         | A (I <sub>n</sub> ) @ 60Hz |
| FI Current @ 208V                   | 1.5          | A (I <sub>n</sub> ) @ 60Hz |
| Service Factor                      | 1.15         | @ 60Hz                     |
|                                     | -            | @ 50Hz                     |
| KVA Code                            | K            | 60Hz                       |
|                                     | -            | 50Hz                       |
| Nominal Efficiency                  | 63.7         | % @ 60Hz                   |
| Nominal Power Factor                | 0.58         | cosΦ @ 60Hz                |
| Leads (Qty, Size)                   | 9            | 18                         |
| Connection                          | YY/Y         | -                          |
| Coil Resistance                     | -            | Ω                          |
| Start Capacitor                     | -            | μF/V                       |
| Run Capacitor                       | -            | μF/V                       |
| VFD DUTY (S.F. 1.0)                 |              |                            |
|                                     | RATIO        | Hz                         |
| Variable Torque                     | 10:1         | 6 - 60                     |
| Constant Torque                     | 4:1          | 15 - 60                    |
| FULL LOAD TEMPERATURE RISE          |              |                            |
| Full Load Temperature Rise          | -            | °C @ 60Hz                  |
|                                     | -            | °C @ 50Hz                  |

| GENERAL DATA                            |                  |       |
|---|------------------|-------|
| Frame Size                              | 56C              |       |
| Enclosure                               | TEFC             |       |
| Mounting                                | Rigid/C-Flange   |       |
| Approximate Weight (lbs.)               | 17.4 lbs.        |       |
| Casing Material / Fan Cover             | Cast Aluminum    | Steel |
| Shaft Material                          | 1045             |       |
| NEMA Design                             | B                |       |
| Degree of Protection (IP)               | 55               |       |
| Insulation Class / Temp Rise (60Hz)     | F                | B     |
| Tropicalization                         | YES              |       |
| Duty                                    | Cont. / S1       |       |
| Conduit Box Location                    | F1               |       |
| Feet Removable / Double Drilled         | YES              | NO    |
| Paintwork                               | 7024             |       |
|   | Graphite Gray    |       |
| MECHANICAL DATA                         |                  |       |
| Bearing DE Side                         | 6204 ZZ          |       |
| Bearing ODE Side                        | 6204 ZZ          |       |
| Grease Type                             | Mobil Polyrex EM |       |
| Compensation Ring (wavy washer)         | NDE              |       |
| Moment of Inertia (lb-ft <sup>2</sup> ) | -                |       |
| Sound Pressure @ 3 FT dBA               | -                |       |
| SITE CONDITIONS                         |                  |       |
| Ambient Temperature (°C)                | 40               |       |
| Meters Above Sea Level (MASL)           | 1000             |       |
| HAZARDOUS LOCATIONS                     |                  |       |
| CSA Certified                           | A, B, C & D      |       |
| Temperature Code                        | -                | -     |

**Questions? Call 1.888.286.1820**

# NEMA

Model **BLA.334D-C-01**  
MFG PN: T561/3U4B



| NAMEPLATE DATA             | 60Hz         | 50Hz |
|----------------------------|--------------|------|
| Horse Power                | 0.33         | 0.33 |
| RPM                        | 1725         | -    |
| Voltage                    | 208-230/460  | -    |
| Full Load Amps             | 1.5-1.7/0.85 | -    |
| Service Factor             | 1.15         | -    |
| KVA Code                   | K            | -    |
| Full Load Amps (208V)      | 1.5          | -    |
| Nominal Efficiency         | 63.7         | -    |
| Nominal Power Factor       | 0.58         | -    |
| Design                     | B            |      |
| Frame                      | 56C          |      |
| Enclosure Type             | TEFC         |      |
| IP Rating                  | 55           |      |
| Duty                       | Cont. / S1   |      |
| Insulation Class           | F            |      |
| Ambient Rating             | 40           |      |
| Drive End Bearing          | 6204 ZZ      |      |
| Opposite Drive End Bearing | 6204 ZZ      |      |
| Weight (lbs)               | 17.4         |      |

**NAMEPLATE LAYOUT**

TECHTOP Date of Mfg:

EPAct Rated - Industrial Three Phase Motor  
SER No.

Model:  MFG PN:

Frame:  HP:  RPM:  SF:

Voltage:  HZ:  FLA:

KVA Code:  PF:  Eff:  Nom.  % 3/4  %

Design:  Ins. Class:  F  AMB:  IP:

FLA when operated at 208V:  Duty:  Cont.

Bearings:  DE  ZZ  ODE  ZZ

Class 1, Div 2, Groups A, B, C and D Compliant

TechtopCanada.com 224693 Made in China

| VFD DUTY (S.F. 1.0) | RATIO | Hz*     |
|---------------------|-------|---------|
| Variable Torque     | 10:1  | 6 - 60  |
| Constant Torque     | 4:1   | 15 - 60 |

\*For max speed please contact Techtop Canada

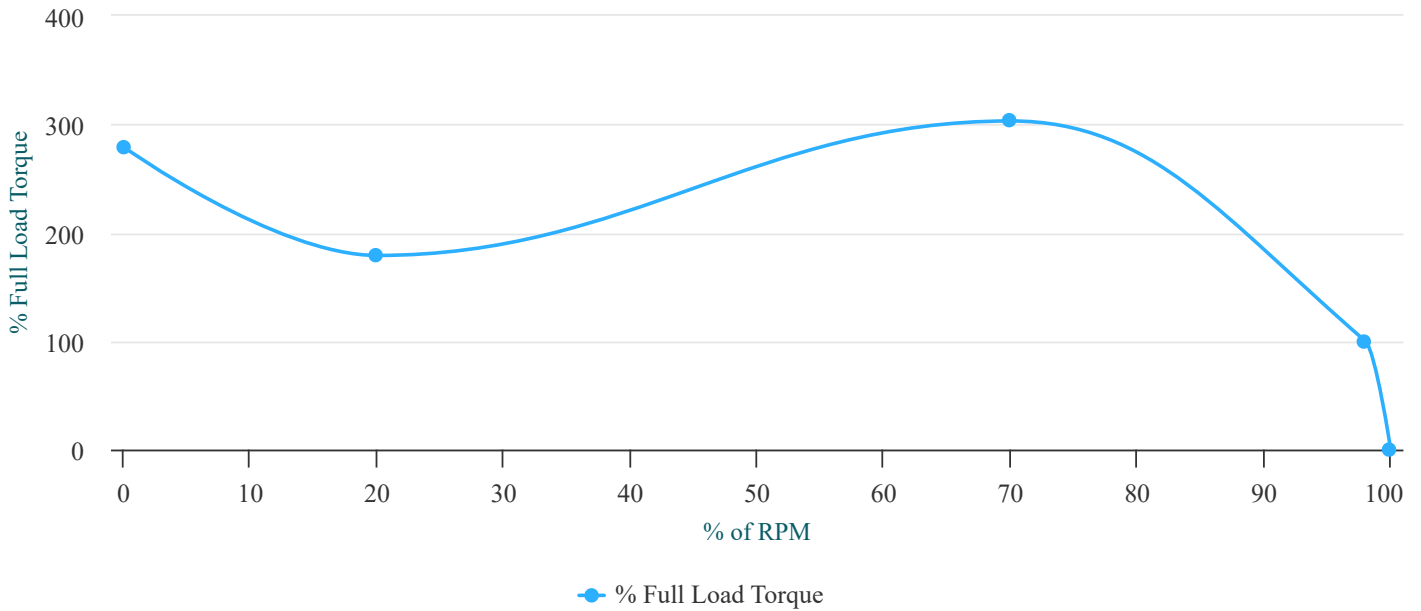
| HAZARDOUS LOCATIONS | COMPLIANT ONLY       |
|---------------------|----------------------|
| Class / Division    | Class I, Division II |
| Groups              | A, B, C & D          |

Questions? Call **1.888.286.1820**



**Model BLA.334D-C-01**  
 MFG PN: T561/3U4B

### Torque Speed (T-n) Curve



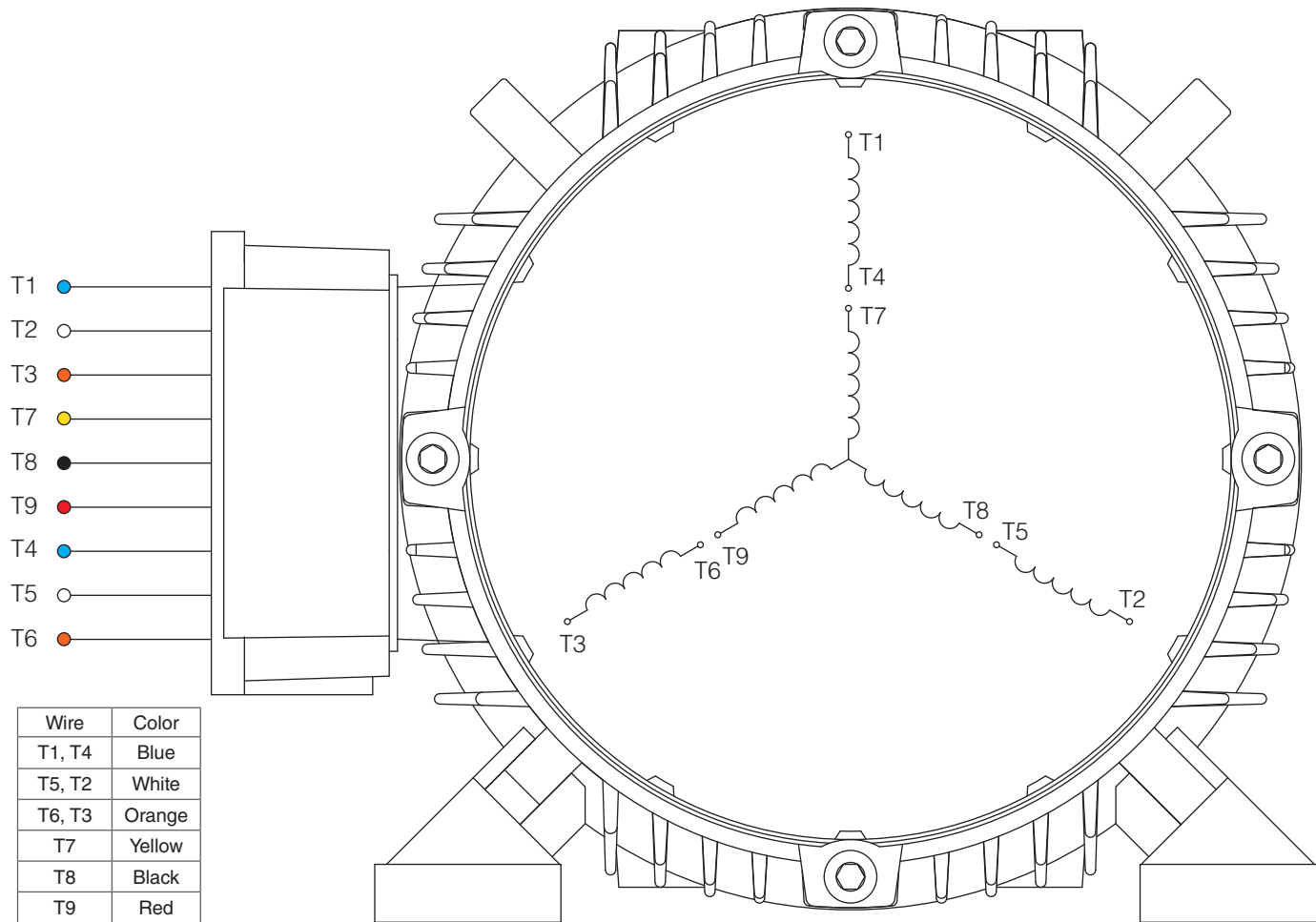
**PERFORMANCE LOAD VALUES, HIGH VOLTAGE, 60Hz**

**TYPICAL PERFORMANCE - NOT GUARANTEED VALUES**

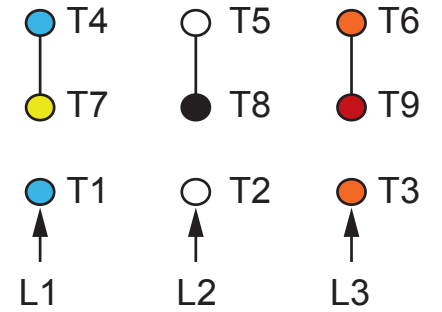
| TORQUE VALUES       | TORQUE (lb-ft) | TORQUE (% FULL LOAD) | PERFORMANCE VALUES   |      |
|---------------------|----------------|----------------------|----------------------|------|
| Locked Rotor Torque | 2.8            | 279                  | Start Configuration  | DOL  |
| Pull-Up Torque      | 1.8            | 179                  | Starting Current (A) | 7.16 |
| Breakdown Torque    | 3              | 303                  | No-Load Current (A)  | 0.9  |
| Full Load Torque    | 1              | 100                  | No-Load Power Factor | 0.15 |

| % OF RATED LOAD     | 25 | 50 | 75 | 100  | 125  | S.F. 1.25 |
|---------------------|----|----|----|------|------|-----------|
| Line Amperes (A)    | -  | -  | -  | 1.7  | -    | -         |
| Efficiency (%)      | -  | -  | -  | 0.5  | 0.5  | 0.5       |
| Speed (r/min)       | -  | -  | -  | 1725 | -    | -         |
| Power Factor (cosΦ) | -  | -  | -  | 0.39 | 0.69 | 0.55      |
| Input Power (kW)    | -  | -  | -  | 0.52 | 0.59 | 0.56      |

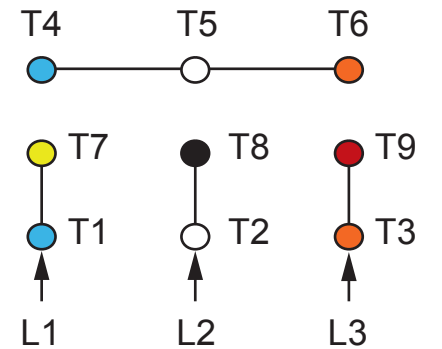
**Questions? Call 1.888.286.1820**



| Wire   | Color  |
|--------|--------|
| T1, T4 | Blue   |
| T5, T2 | White  |
| T6, T3 | Orange |
| T7     | Yellow |
| T8     | Black  |
| T9     | Red    |



HIGH VOLTAGE (Y)



LOW VOLTAGE (YY)

NOTES:

1. CCW ROTATION FACING ODE FOR CONNECTIONS SHOWN
2. TO REVERSE ROTATION, SWAP ANY TWO INPUT LINES
3. WHEN MOTOR IS IN F1 POSITION, LEADS INDICATED WITH "\*" EXIT THE CASING ABOVE THE CENTER LINE OF THE MOTOR, THE REMAINING LEADS EXIT BELOW THE CENTER LINE
4. LEADS MUST BE NUMBERED AND COLORED AS SHOWN
5. DIAGRAMS FOR REFERENCE ONLY



NEMA 3Ø YY/Y 9-Lead Dual Voltage

DRAWING NUMBER:

NEMA-3-9-YY-Y

CONNECTION:

YY/Y

NUMBER OF LEADS:

9

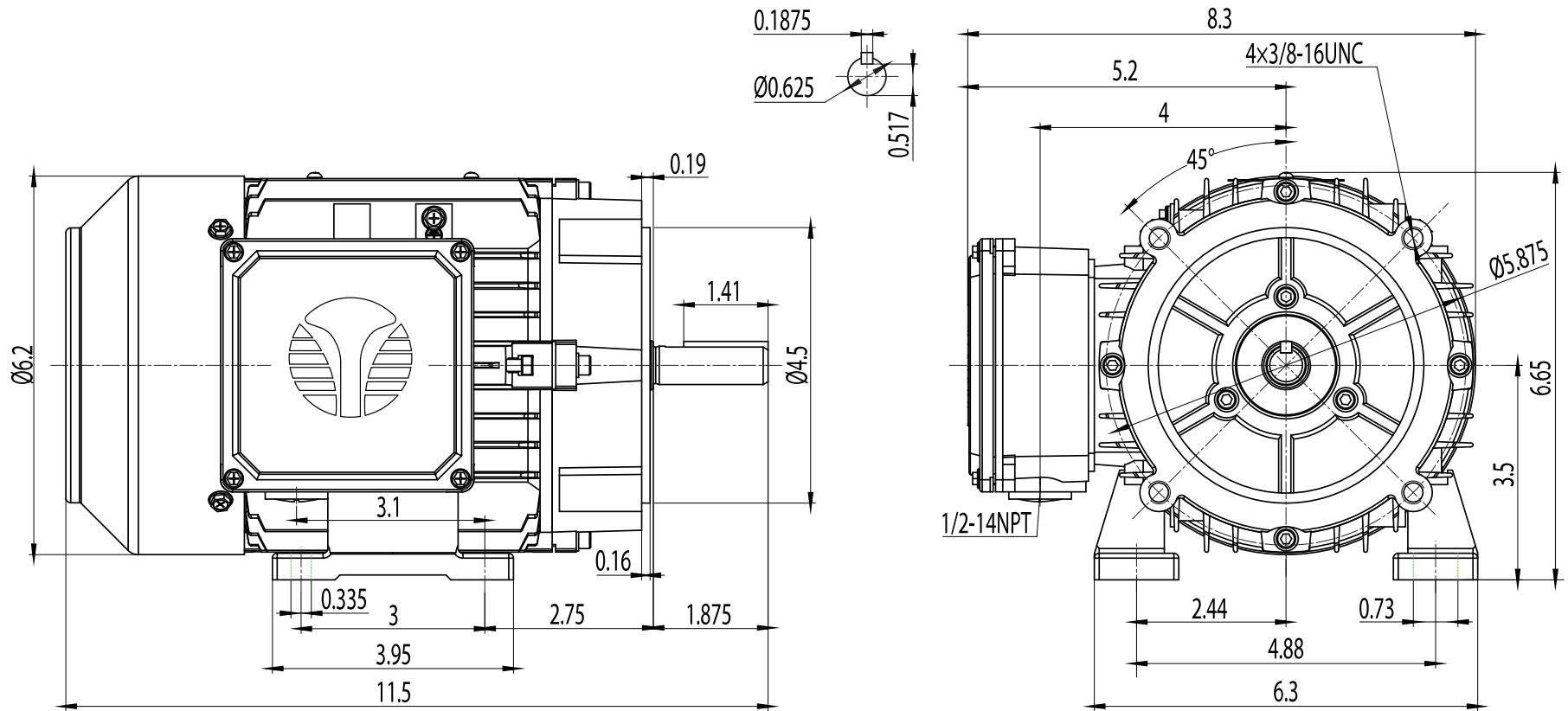
THERMAL PROTECTION:

-

ISSUED DATE

15/01/24

PREMIUM 56C ALUMINUM MOTORS



**NEMA EPAct TEFC 56C**

**DRAWING NUMBER:**

GR3-AL-TF-56C

**DIMENSIONS:**

Inches

**MOUNTING:**

Rigid/C-Flange

**CASING MATERIAL:**

Cast Aluminum

**ISSUED DATE**

15/01/24

PREMIUM 56C ALUMINUM MOTORS