

NEMA

Model BLA0012DP-C
 MFG PN: T561.5U2B

Model BLA0012DP-C

Product Data Package



MODEL	HP	RPM	VOLTAGE	PHASE	Hz	FRAME	MOUNT	ENCLOSURE
BLA0012DP-C	1.5	3500	230/460	3	60	56C	Rigid/C-Flange	TEFC

Toronto

TOLL FREE 1.888.286.1820
PHONE 905.829.1001
EMAIL info@techttopcanada.com

Montreal

TOLL FREE 1.844.354.5111
PHONE 514.354.1002
EMAIL infoQC@techttopcanada.com

Moncton

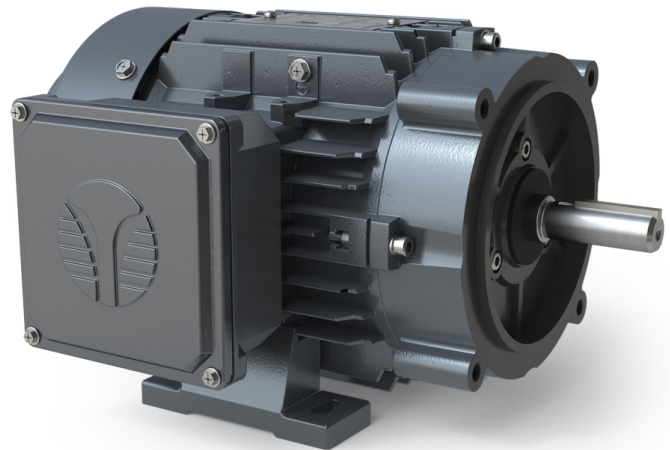
PHONE 506.386.5794
EMAIL infoNB@techttopcanada.com

Winnipeg

PHONE 204.633.2779
EMAIL infoMB@techttopcanada.com

Vancouver

PHONE 604.525.1551
EMAIL infoBC@techttopcanada.com



Index

Motor General Data Sheet	P 2
Nameplate Information	P 3
Technical Performance Data	P 4
Motor General Wiring Diagram	P 5
Motor General Outline Drawing	P 6



Model BLA0012DP-C
MFG PN: T561.5U2B

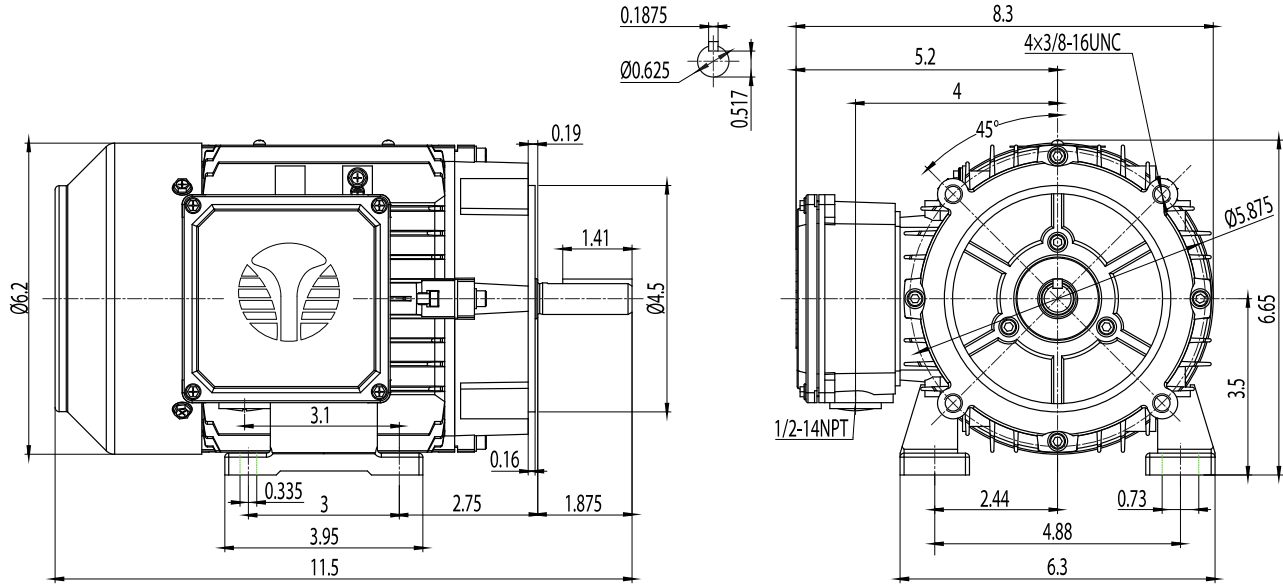
ELECTRICAL DATA		
Rated Motor Output Power	1.5	HP
	-	kW
Rated Motor Speed	3500	r/min 60Hz
	2870	r/min 50Hz
Rated Motor Voltage (+/-10%)	230/460	V/60Hz
	190/380	V/50Hz
Rated Motor Current	3.9/1.95	A (I _n) @ 60Hz
	4.68/2.34	A (I _n) @ 50Hz
Phase	3	∅
Locked Rotor Current @ High Voltage	19.05	A (I _n) @ 60Hz
FI Current @ 208V	4.2	A (I _n) @ 60Hz
Service Factor	1.25	@ 60Hz
	1	@ 50Hz
KVA Code	M	60Hz
	H	50Hz
Nominal Efficiency	84	% @ 60Hz
Nominal Power Factor	0.84	cosΦ @ 60Hz
Leads (Qty, Size)	9	18
Connection	YY/Y	-
Coil Resistance	-	Ω
Start Capacitor	-	μF/V
Run Capacitor	-	μF/V
VFD DUTY (S.F. 1.0)		
	RATIO	Hz
Variable Torque	30:1	2 - 60
Constant Torque	15:1	4 - 60
FULL LOAD TEMPERATURE RISE		
Full Load Temperature Rise	40.5	°C @ 60Hz
	-	°C @ 50Hz

GENERAL DATA		
Frame Size	56C	
Enclosure	TEFC	
Mounting	Rigid/C-Flange	
Approximate Weight (lbs.)	24.1 lbs.	
Casing Material / Fan Cover	Cast Aluminum	Steel
Shaft Material	1045	
NEMA Design	B	
Degree of Protection (IP)	55	
Insulation Class / Temp Rise (60Hz)	F	B
Tropicalization	YES	
Duty	Cont. / S1	
Conduit Box Location	F1	
Feet Removable / Double Drilled	YES	NO
Paintwork	7024	
	Graphite Gray	
MECHANICAL DATA		
Bearing DE Side	6204 ZZ	
Bearing ODE Side	6204 ZZ	
Grease Type	Mobil Polyrex EM	
Compensation Ring (wavy washer)	NDE	
Moment of Inertia (lb-ft ²)	-	
Sound Pressure @ 3 FT dBA	-	
SITE CONDITIONS		
Ambient Temperature (°C)	40	
Meters Above Sea Level (MASL)	1000	
HAZARDOUS LOCATIONS		
CSA Certified	A, B, C & D	
Temperature Code	-	-

Questions? Call 1.888.286.1820

NEMA

Model BLA0012DP-C
MFG PN: T561.5U2B



NAMEPLATE DATA	60Hz	50Hz
Horse Power	1.5	1.5
RPM	3500	2870
Voltage	230/460	190/380
Full Load Amps	3.9/1.95	4.68/2.34
Service Factor	1.25	1
KVA Code	M	H
Full Load Amps (208V)	4.2	-
Nominal Efficiency	84	82
Nominal Power Factor	0.84	-
Design	B	
Frame	56C	
Enclosure Type	TEFC	
IP Rating	55	
Duty	Cont. / S1	
Insulation Class	F	
Ambient Rating	40	
Drive End Bearing	6204 ZZ	
Opposite Drive End Bearing	6204 ZZ	
Weight (lbs)	24.1	

NAMEPLATE LAYOUT	
INDUSTRIAL THREE PHASE MOTOR INVERTER DUTY 15:1 CT 30:1 VT - 1.0 SF	
MODEL	MFG PN
60Hz	MFG DATE
50Hz	SER #
HP	DESIGN
RPM	FRAME
VOLT	ENCL / IP
FLA	TEFC 55
SF	DUTY
KVA CODE	INS CL
NOM.EFF	AMB
EFF 75%	DE
PF	ODE
USABLE AT 208V	WEIGHT
A	lbs
TECHTOPCANADA.COM <small>CLASS 1, DIV 2, GROUPS A, B, C AND D</small>	
<small>MADE IN CHINA</small>	

VFD DUTY (S.F. 1.0)	RATIO	Hz*
Variable Torque	30:1	2 - 60
Constant Torque	15:1	4 - 60

*For max speed please contact Techtop Canada

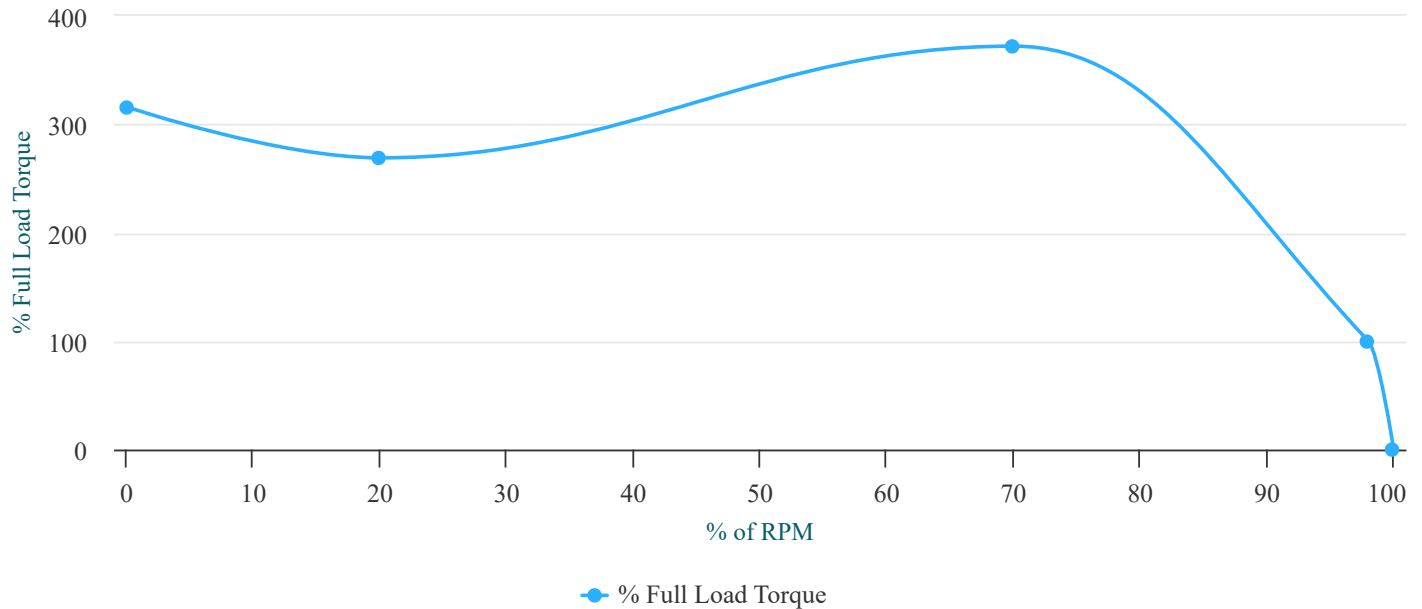
HAZARDOUS LOCATIONS	CSA COMPLIANT
Class / Division	Class I, Division II
Groups	A, B, C & D

Questions? Call 1.888.286.1820

NEMA

Model BLA0012DP-C
 MFG PN: T561.5U2B

Torque Speed (T-n) Curve



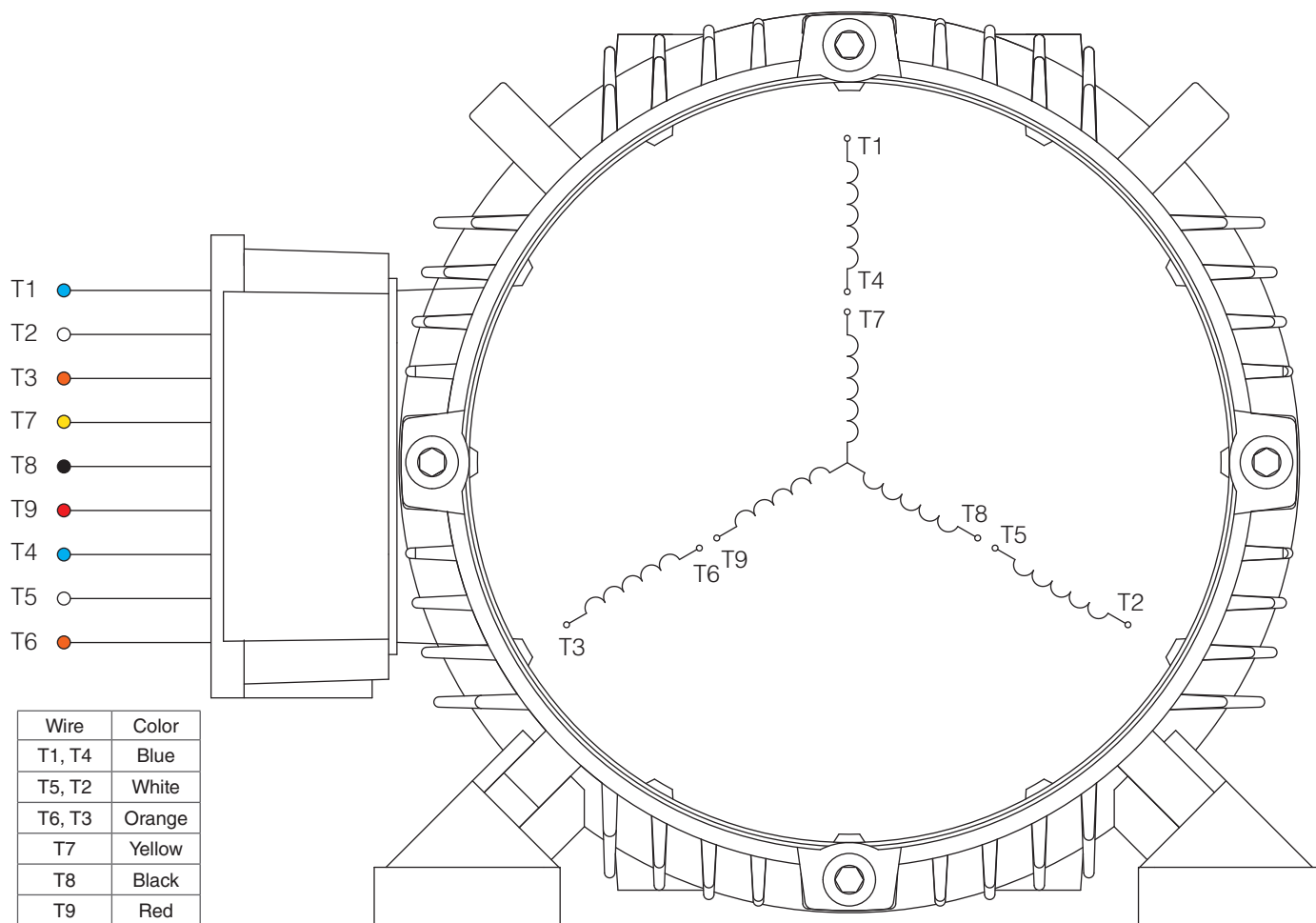
PERFORMANCE LOAD VALUES, HIGH VOLTAGE, 60Hz

TYPICAL PERFORMANCE - NOT GUARANTEED VALUES

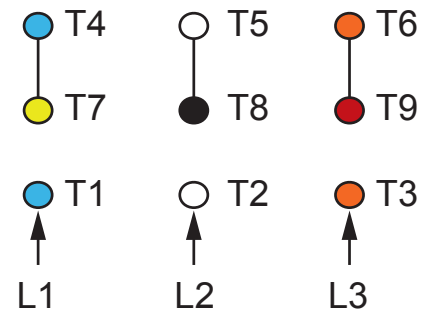
TORQUE VALUES	TORQUE (lb-ft)	TORQUE (% FULL LOAD)	PERFORMANCE VALUES	
Locked Rotor Torque	7.1	316	Start Configuration	DOL
Pull-Up Torque	6.1	269	Starting Current (A)	19.05
Breakdown Torque	8.4	372	No-Load Current (A)	1
Full Load Torque	2.3	100	No-Load Power Factor	-

% OF RATED LOAD	25	50	75	100	125	S.F. 1.25
Line Amperes (A)	1.1	1.3	1.6	2	2.4	2.4
Efficiency (%)	73.8	82.9	85.4	85.8	85.2	85.2
Speed (r/min)	3577	3557	3535	3510	3484	3484
Power Factor (cosΦ)	0.44	0.66	0.78	0.84	0.88	0.88
Input Power (kW)	0.38	0.68	0.99	1.31	1.65	1.65

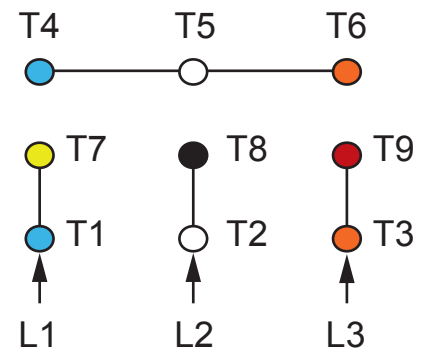
Questions? Call 1.888.286.1820



Wire	Color
T1, T4	Blue
T5, T2	White
T6, T3	Orange
T7	Yellow
T8	Black
T9	Red



HIGH VOLTAGE (Y)



LOW VOLTAGE (YY)

NOTES:

1. CCW ROTATION FACING ODE FOR CONNECTIONS SHOWN
2. TO REVERSE ROTATION, SWAP ANY TWO INPUT LINES
3. WHEN MOTOR IS IN F1 POSITION, LEADS INDICATED WITH "*" EXIT THE CASING ABOVE THE CENTER LINE OF THE MOTOR, THE REMAINING LEADS EXIT BELOW THE CENTER LINE
4. LEADS MUST BE NUMBERED AND COLORED AS SHOWN
5. DIAGRAMS FOR REFERENCE ONLY



NEMA 3Ø YY/Y 9-Lead Dual Voltage

DRAWING NUMBER:

NEMA-3-9-YY-Y

CONNECTION:

YY/Y

NUMBER OF LEADS:

9

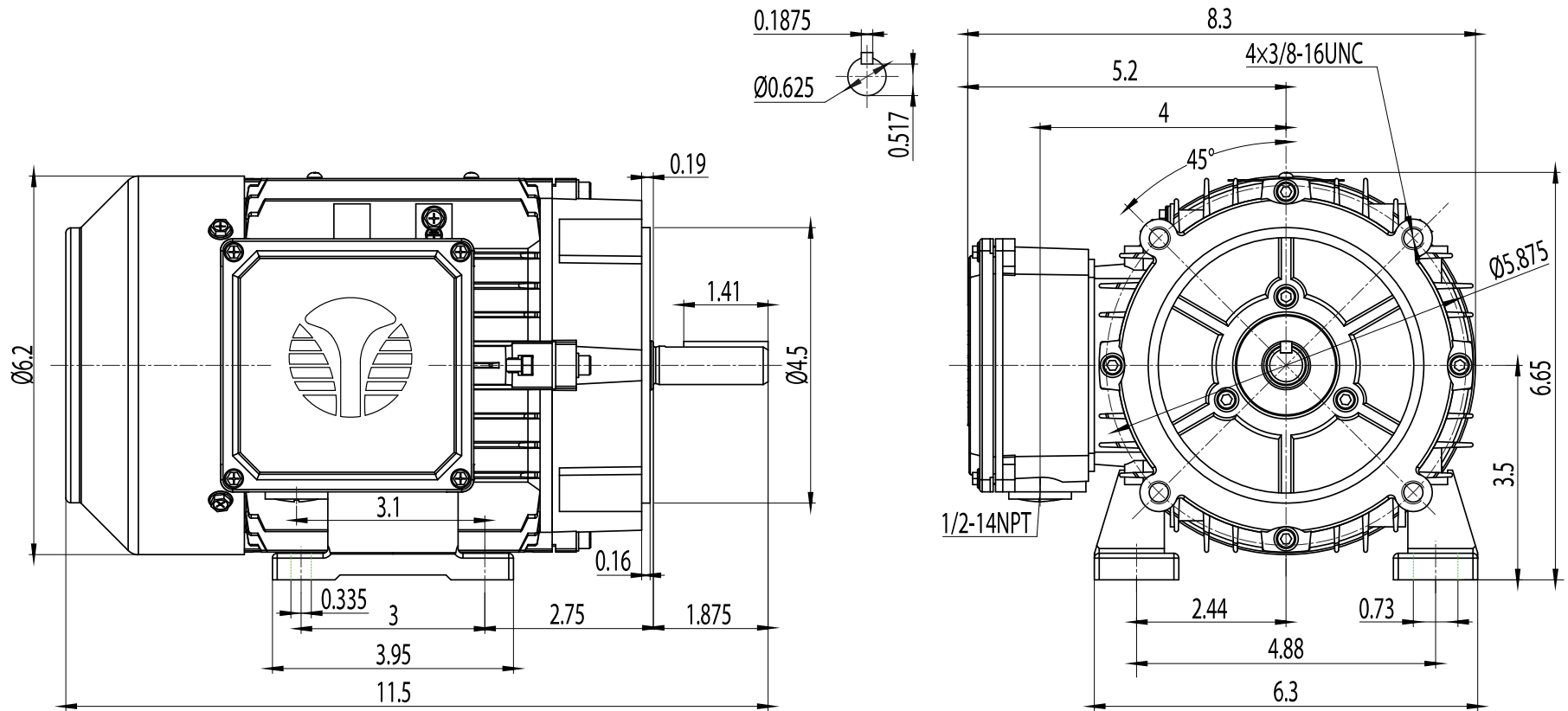
THERMAL PROTECTION:

-

ISSUED DATE

15/01/24

PREMIUM 56C ALUMINUM MOTORS



NEMA Premium TEFC 56C

DRAWING NUMBER:

GR3-AL-TF-56C

ISSUED DATE

15/01/24

DIMENSIONS:

Inches

MOUNTING:

Rigid/C-Flange

CASING MATERIAL:

Cast Aluminum

PREMIUM 56C ALUMINUM MOTORS