

# PRODUCT INFORMATION PACKET

Model No: 098000.00

Catalog No: 098000.00

SCR Motor, 0.50 HP, 90 V, 1750 RPM, SS56C Frame, TEFC



Regal and are trademarks of Regal Rexnord Corporation or one of its affiliated companies.  
©2022 Regal Rexnord Corporation, All Rights Reserved. MC017097E

**Nameplate Specifications**

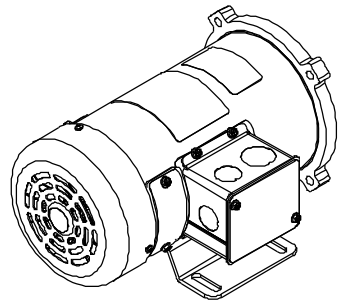
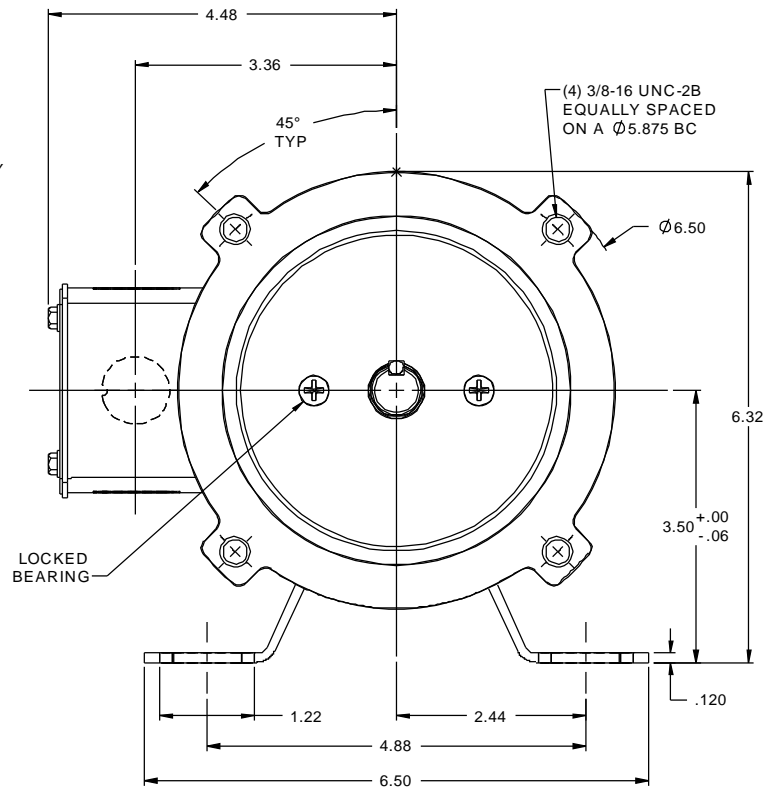
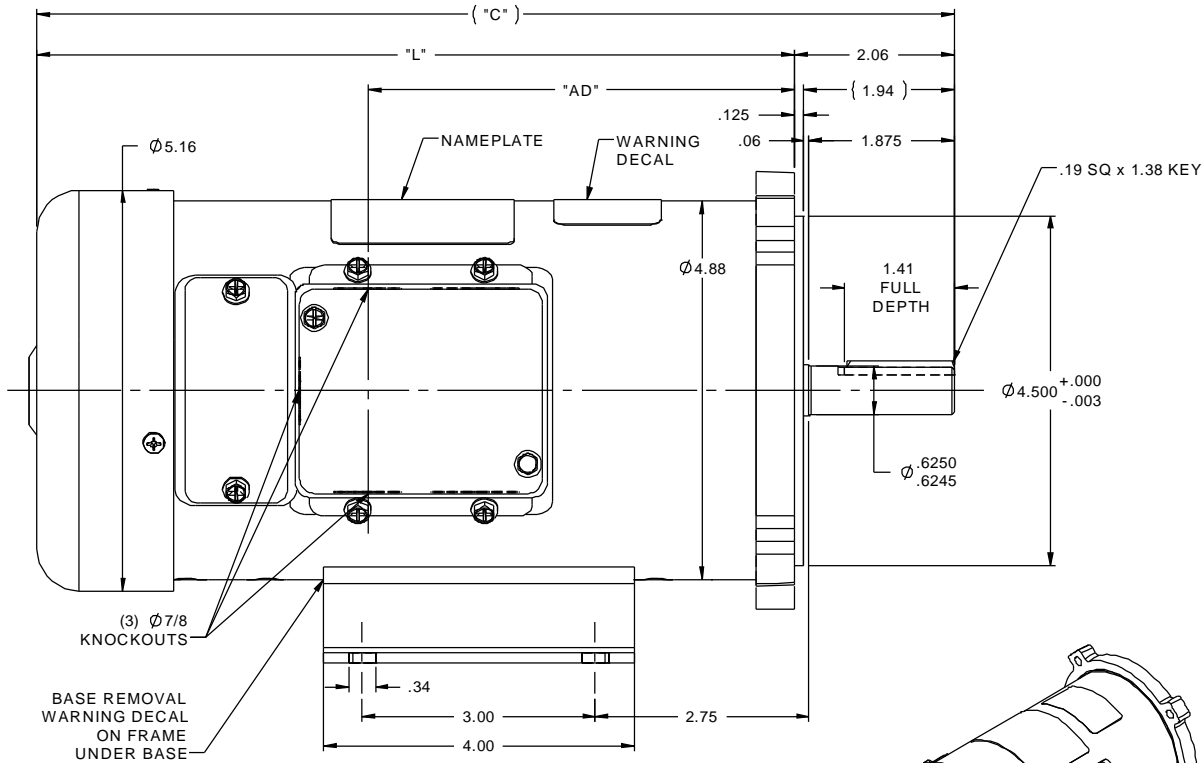
Output HP	<b>0.50 Hp</b>	Output KW	<b>0.37 kW</b>
Voltage	<b>90 V</b>	Current	<b>5.0 A</b>
Speed	<b>1750 rpm</b>	Service Factor	<b>1</b>
Efficiency	<b>81.4 %</b>	Duty	<b>Continuous</b>
Insulation Class	<b>F</b>	Frame	<b>SS56C</b>
Enclosure	<b>Totally Enclosed Fan Cooled</b>	Thermal Protection	<b>No Protection</b>
Ambient Temperature	<b>40 °C</b>	Drive End Bearing Size	<b>6203</b>
Opp Drive End Bearing Size	<b>6203</b>	UL	<b>Recognized</b>
CSA	<b>Y</b>	CE	<b>N</b>

**Technical Specifications**

Rotation	<b>Reversible</b>	Mounting	<b>Rigid C base</b>
Overall Length	<b>11.81 in</b>	Frame Length	<b>7.50 in</b>
Shaft Diameter	<b>0.625 in</b>	Shaft Extension	<b>2.06 in</b>
Torque	<b>18 LB-IN</b>		
Connection Drawing	<b>00531901</b>	Outline Drawing	<b>027620-098000</b>

This is an uncontrolled document once printed or downloaded and is subject to change without notice. Date Created:09/19/2022

RBC PROPRIETARY AND CONFIDENTIAL INFORMATION  
 This document is the property of REGAL BELOIT CORPORATION ("RBC") including its subsidiaries and divisions and contains proprietary information of RBC. This document is loaned on the express condition that neither it nor the information contained therein shall be disclosed to others without the express written consent of RBC, and that the information shall be used by the recipient only as approved expressly by RBC. This document shall be returned to RBC upon its request. This document may be subject to certain restrictions under U.S. export control laws and regulations.



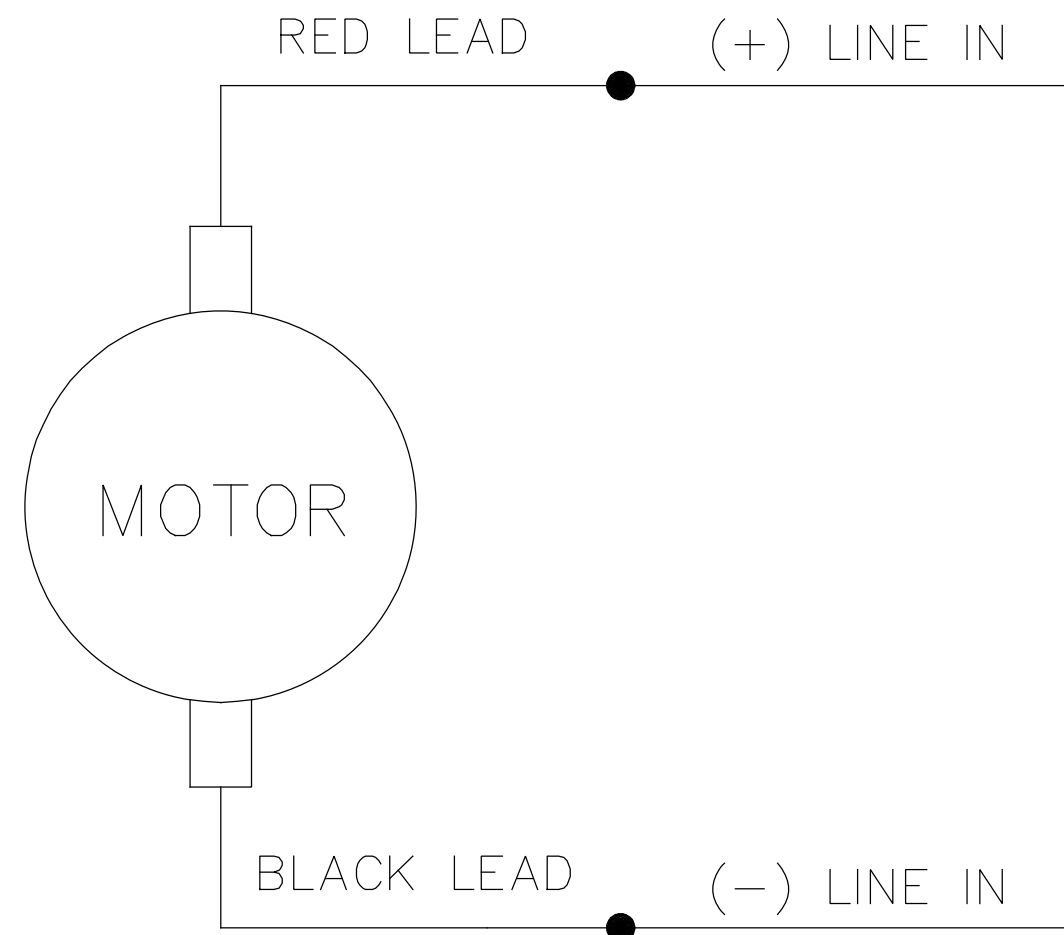
- NOTES:  
 1) MAXIMUM FACE RUNOUT .004 T.I.R.  
 2) MAXIMUM PILOT ECCENTRICITY .004 T.I.R.  
 3) PERMISSIBLE SHAFT RUNOUT .002 T.I.R.  
 4) GASKETS THROUGHOUT.

098382.00	10.81	8.75	4.49	48	1/2	1800
098381.00	10.81	8.75	4.49	36	1/2	1800
098069.00	13.81	11.75	7.49	180	3/4	1750
098032.00	13.81	11.75	7.49	90	3/4	1750
098010.00	11.81	9.75	5.49	180	3/4	2500
098009.00	11.81	9.75	5.49	90	3/4	2500
098008.00	11.81	9.75	5.49	180	1/2	1750
098007.00	10.81	8.75	4.49	180	1/2	2500
098006.00	10.81	8.75	4.49	90	1/2	2500
098005.00	11.31	9.25	4.99	180	1/3	1750
098004.00	11.31	9.25	4.99	90	1/3	1750
098003.00	11.31	9.25	4.99	180	1/4	1750
098002.00	10.81	8.75	4.49	90	1/4	1750
098000.00	11.81	9.75	5.49	90	1/2	1750
CATALOG No.	"C"	"L"	"AD"	VOLTS	H.P.	RPM

		TOLERANCES UNLESS SPECIFIED		DRAWN JRA 5/11/95	
		DEC INCHES		CHK	
		X ±.1		APPR	
08	REDRAWN IN SOLIDWORKS, MODIFIED TABLE PER NEW STANDARD	IPG 9/8/2011	XX ±.03	TITLE OUTLINE	SCALE 5:8
			XXX ±.005	42 FRAME DC - SS56C MOUNT	REF RDOUT42DC8
07	ADDED FAN GUARD HOLE PLUG, ISAAC 10-4174	IPG 10/11/10	XXXX ±.0005	MATL	FMF C42D17FK1
NO	REVISION	BY & DATE	CHK LANG ±1/2°	FINISH	PAGE OF
THIRD ANGLE PROJECTION		RFP	PREV	SIZE	DRAWING NO
		NETWORK FILE NAME 027620		B	027620
				REV	08



ELECTRIC MOTORS  
 GEARMOTORS  
 AND DRIVES



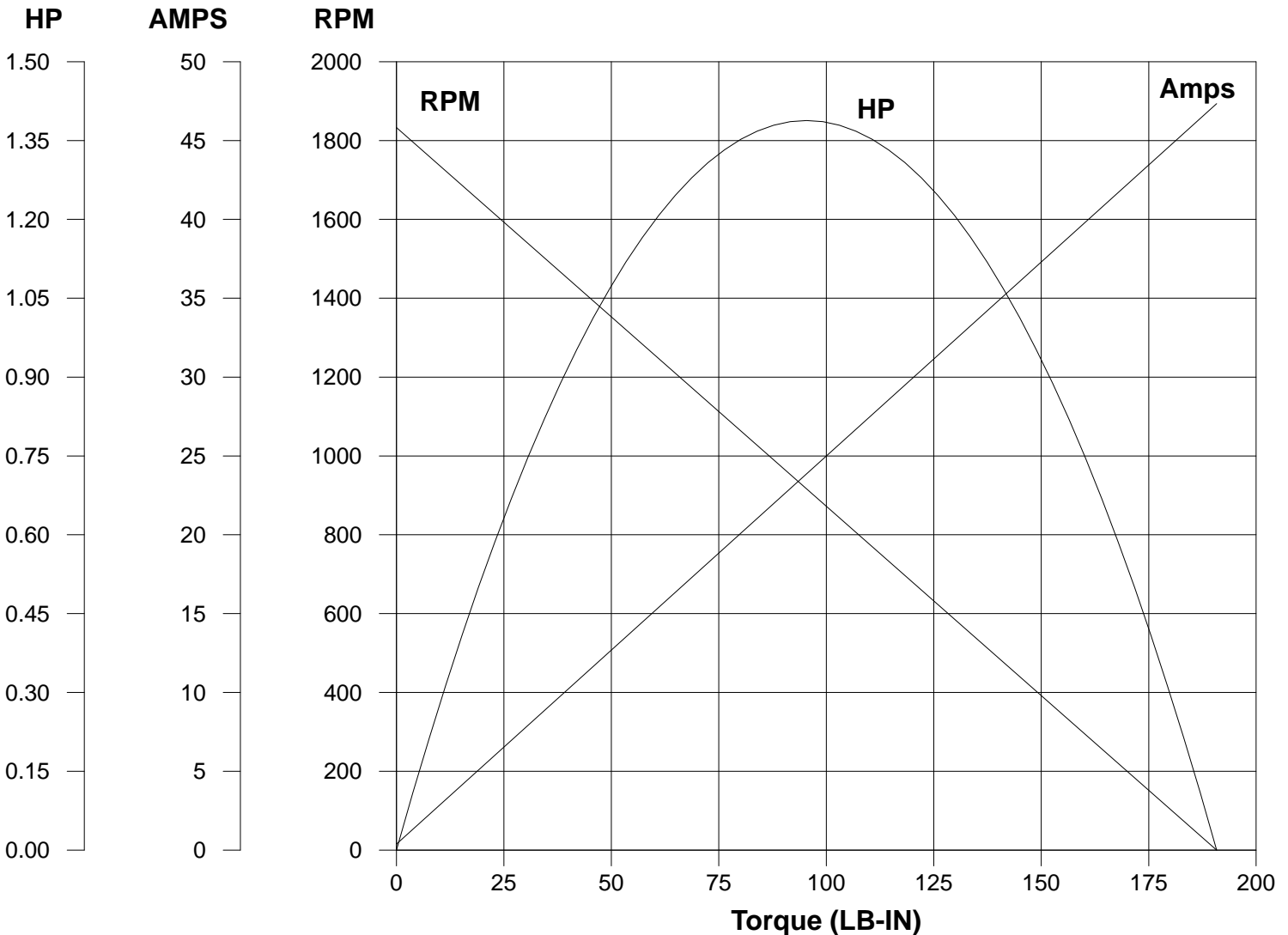
CONNECTIONS SHOWN FOR CCW ROTATION FACING LEAD END OF THE MOTOR  
TO REVERSE ROTATION INTERCHANGE LINE LEADS

NO.	REVISION	BY & DATE	CHK	TOLERANCES UNLESS SPECIFIED		LEESON	ELECTRIC MOTORS GEARMOTORS AND DRIVES	DRAWN TJF 11/15/97	
				DEC.	INCHES				CHK
				.X	±.1			APPD POW 11/15/97	
E	"MOTOR" WAS "ARMATURE", ECO-0163602	IPG 3/14/19		.XX	±.01	TITLE	EXTERNAL WIRING DIAGRAM PMDC MOTOR	SCALE 1=2	
D	UPDATED TO MAKE IT GENERIC, ECO-0163547	IPG 3/13/19		.XXX	±.005			REF	
01	REDRAWN ON CAD. REVISED NOTES.	SJB 9/20/2005		.XXXX	±.0005	MAT'L.		FMF	
				ANG	±1/2°	FINISH		PREV	
THIS DRAWING IN DESIGN AND DETAIL IS OUR PROPERTY AND MUST NOT BE USED EXCEPT IN CONNECTION WITH OUR WORK ALL RIGHTS OF DESIGN AND INVENTION ARE RESERVED THIS IS AN ELECTRONICALLY GENERATED DOCUMENT - DO NOT SCALE THIS PRINT				RFP	CAD FILE 00531901		SIZE A	DRAWING NO. 005319.01	REV. E
				DIST					

# LEESON ELECTRIC CORPORATION

## TYPICAL PERFORMANCE CURVE FOR DIRECT CURRENT PERMANENT MAGNET MOTOR

**Model No.** C42D17FK1                      **Catalog No.** 098000.00  
**HP** 0.500                      **RPM** 1750                      **DC Volts** 90.0                      **N.P. FLA** 5.00  
**F.F.** 1.38                      **Encl** TEFC                      **Type** DF                      **S.F.** 1.00  
**Max. Amb.** 40.0 Deg C                      **Insul.** F                      **Frame** SS56C                      **Duty** Cont



**Ra** 1.1400 Ohms  
**La** 14.40 mHenrys  
**Ja** 7.813 LB-IN<sup>2</sup>  
**Ke** 48.47 V/KRPM

**Kt** 4.097 LB-IN/AMP  
**Imax** 55.2 AMPS Allowed  
**FL Torque** 18.00 LB-IN  
**FL EFF** 81.40 %

**Winding W-** D4721-1                      **Prepared by** V. Boehlen                      **Date** 07-02-2020