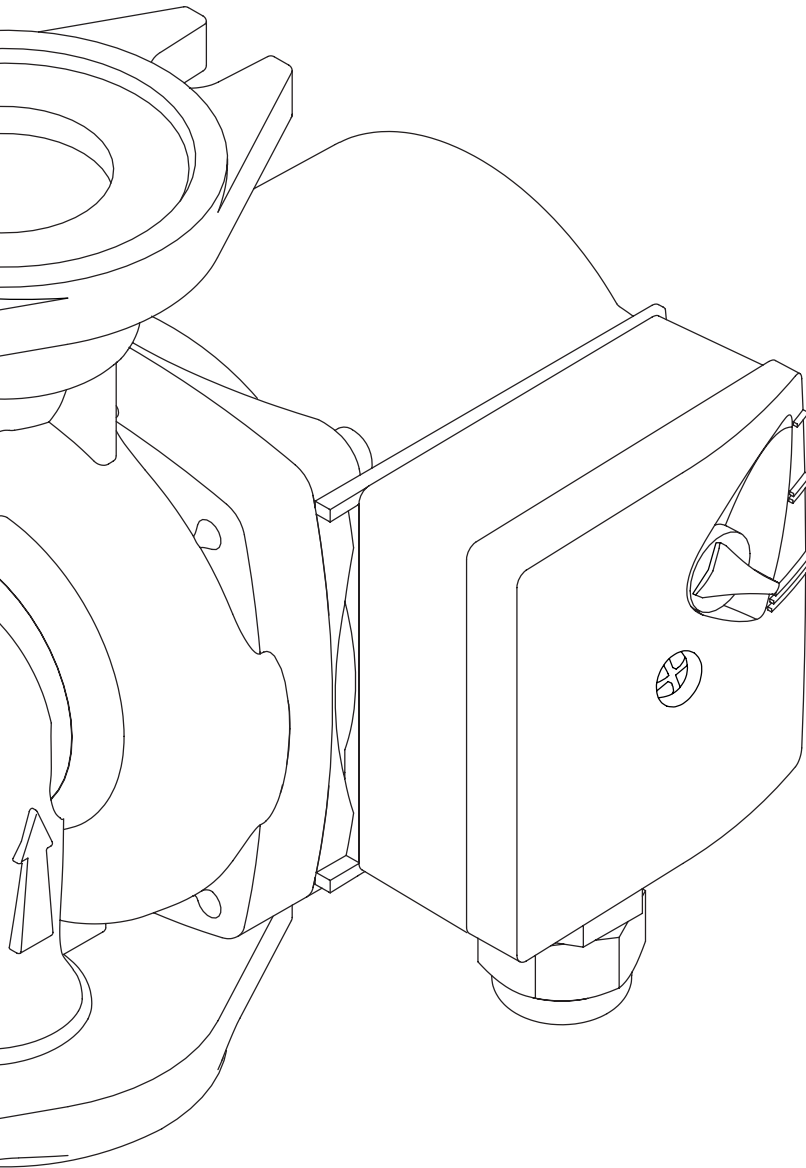




AMPRO ELECTRIC LTD.

ECRA / ESA LICENCE #7015465

ARMSTRONG 



Astro 2

3-speed circulator models

Technical overview

File No: 10.401

Date: FEBRUARY 17, 2022

Supersedes: 10.401

Date: DECEMBER 25, 2019

—

—

—

—

CONTENTS

Motor data	4
Technical data	4
Materials of construction	4
Dimension drawings	4
Dimensions and weights	5
Cross reference table	6
Performance curves	8

MOTOR DATA

MODEL	ELECTRICAL INPUT	SPEED	FULL LOAD AMP DRAW (A)	NOMINAL POWER (W)	
ASTRO 210CI/SS		3	1.72	200	
		2	1.50		
		1	1.06		
ASTRO 220SSU		3	0.29	33	
		2	0.27		
		1	0.20		
ASTRO 225SSU		3	0.69	83	
		2	0.55		
		1	0.43		
ASTRO 230SS/CI/CI-R	115V, 60HZ Single phase	3	0.81	97	
		2	0.58		
		1	0.45		
ASTRO 250SS/CI/CI-R			3	0.98	117
			2	0.79	
			1	0.65	
ASTRO 280CI/SS		3	1.90	218	
		2	1.80		
		1	1.50		
ASTRO 290CI/SS		3	1.90	218	
		2	1.60		
		1	1.40		
ASTRO 280CI/SS 230V	230V,60HZ Single phase	3	0.90	210	
		2	0.86		
		1	0.80		
ASTRO 286CI/SS		1	1.60	375	

TECHNICAL DATA

Max. fluid temperature*: 185°F/85°C (ASTRO 286 UP TO 1.35A)
150°F/65°C (ASTRO 286 OVER 1.35A)
230°F/110°C (ALL OTHERS)

Max. working pressure: 150 PSI / 1034 kPa

Certification: ETL listed for US and Canada (conforms to UL STD.778 certified to CSA STD. C22.2 NO.108-01) NSF 372 (for stainless steel models)

*Since water conditions can vary with geographical location (i.e. amount and type of dissolved solids) it is recommended that the operating temperature of the fluid for open (potable) systems be kept as low as possible (i.e. below 150°F or 65°C) to avoid precipitation of calcium.

MATERIALS OF CONSTRUCTION

- Pump body:**
 - Cast iron (closed system)
 - Stainless steel** (open system)

Impeller: Noryl

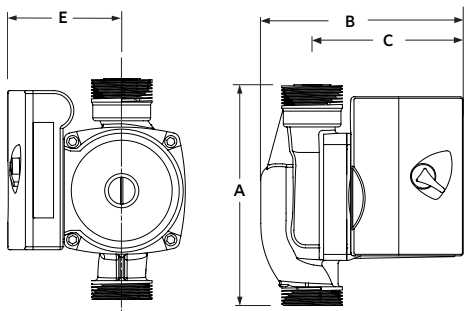
Shaft: Ceramic

Bearings: Ceramic

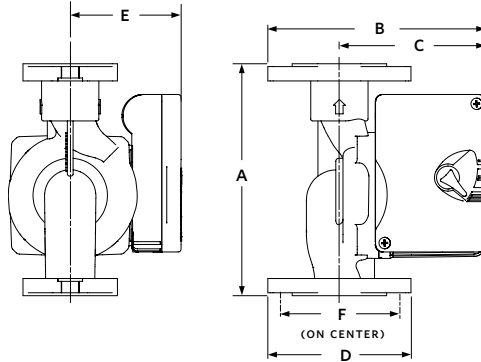
Gasket: EPDM

**Certified <0.25 weighted average percent lead (NSF 372) and complies with California Health and Safety code section 116875 (commonly known as AB1953).

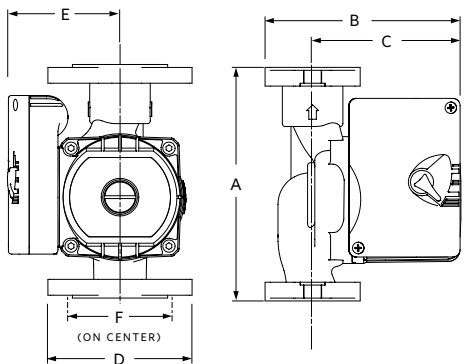
ASTRO 220SSU & 225SSU



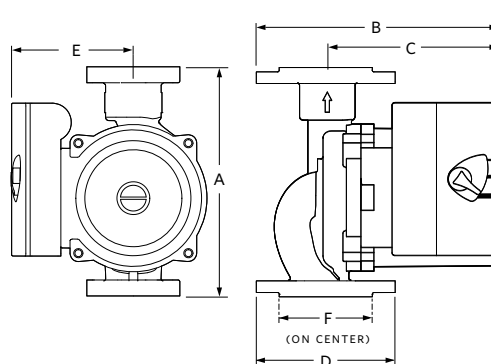
ASTRO 230SS/CI & 250SS/CI



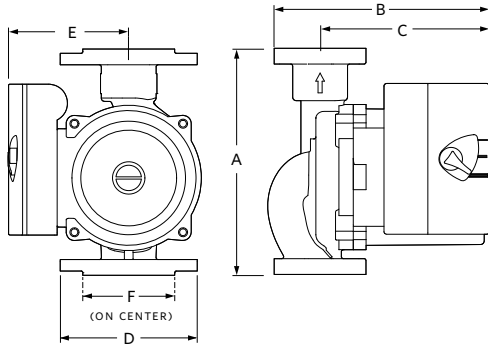
ASTRO 230CI-R & 250CI-R



ASTRO 210CI/SS & 280SS



ASTRO 280CI, 290CI/SS & 286CI/SS



DIMENSIONS AND WEIGHTS

STAINLESS STEEL*	A	B	C	D	E	F	CONNECTION TYPE & SIZE	WEIGHT
Astro 220ssu**	6.00 (152)	5.00 (127)	4.00 (102)	—	3.10 (79)	—	Union - 1¼" NPSM	6.5 (2.9)
Astro 225ssu**	6.00 (152)	5.00 (127)	4.00 (102)	—	3.10 (79)	—	Union - 1¼" NPSM	6.5 (2.9)
Astro 230ss**	6.38 (162)	6.00 (150)	4.00 (102)	4.00 (102)	3.10 (79)	3.25 (80)	Flange - (2) ½" dia. bolt holes	8.0 (3.6)
Astro 250ss**	6.38 (162)	6.00 (150)	4.00 (102)	4.00 (102)	3.10 (79)	3.25 (80)	Flange - (2) ½" dia. bolt holes	8.0 (3.6)
Astro 210ss**	6.50 (165)	7.25 (184)	4.87 (124)	4.00 (102)	3.60 (91)	3.13 (80)	Flange - (2) ½" dia. bolt holes	10.1 (4.6)
Astro 280ss (230V)**	6.50 (165)	6.75 (171)	4.87 (124)	4.00 (102)	3.60 (91)	3.13 (80)	Flange - (2) ½" dia. bolt holes	10.1 (4.6)
Astro 286ss**	6.50 (165)	6.38 (162)	4.87 (124)	4.00 (102)	3.60 (91)	3.13 (80)	Flange - (2) ½" dia. bolt holes	10.1 (4.6)
Astro 290ss**	8.50 (216)	6.65 (169)	5.20 (132)	4.00 (102)	3.60 (91)	3.45 (88)	Flange - (2) ½" dia. bolt holes	13.2 (6.0)
CAST IRON	A	B	C	D	E	F	CONNECTION TYPE & SIZE	WEIGHT
Astro 230ci**	6.38 (162)	6.00 (150)	4.00 (102)	4.00 (102)	3.10 (79)	3.25 (80)	Flange - (2) ½" dia. bolt holes	8.0 (3.6)
Astro 230ci-R**	6.38 (162)	5.63 (137)	4.00 (102)	4.00 (102)	3.10 (79)	3.25 (80)	Flange - (2) ½" dia. bolt holes	8.0 (3.6)
Astro 250ci**	6.38 (162)	6.00 (150)	4.00 (102)	4.00 (102)	3.10 (79)	3.25 (80)	Flange - (2) ½" dia. bolt holes	8.0 (3.6)
Astro 250ci-R**	6.38 (162)	5.63 (137)	4.00 (102)	4.00 (102)	3.10 (79)	3.25 (80)	Flange - (2) ½" dia. bolt holes	8.0 (3.6)
Astro 210ci**	6.50 (165)	7.25 (184)	4.87 (124)	4.00 (102)	3.60 (91)	3.13 (80)	Flange - (2) ½" dia. bolt holes	10.1 (4.6)
Astro 280ci (230V)**	6.50 (165)	6.38 (162)	4.87 (124)	4.00 (102)	3.60 (91)	3.13 (80)	Flange - (2) ½" dia. bolt holes	10.1 (4.6)
Astro 286ci**	6.50 (165)	6.38 (162)	4.87 (124)	4.00 (102)	3.60 (91)	3.13 (80)	Flange - (2) ½" dia. bolt holes	10.1 (4.6)
Astro 290ci**	8.50 (216)	6.65 (169)	5.20 (132)	4.00 (102)	3.60 (91)	3.45 (88)	Flange - (2) ½" dia. bolt holes	13.2 (6.0)

NOTE: All dimensions are in inches (mm) and weights in lbs (kg).

* Certified <0.25 weighted average percent lead and complies with California Health and Safety Code Section 116875 (commonly known as AB 1953).

** Removable check valve installed at pump outlet.

CROSS REFERENCE TABLE

MODELS	ARMSTRONG	SPEED	B & G	GRUNDFOS	WILO	TACO
ASTRO 210SS	1	—	—	—	—	—
	2	LR-15BWR ²	—	—	—	0010-BF3/SF3(-IFC)
	3	NBF-33	—	—	—	110B
ASTRO 220SSU	1	—	—	—	—	—
	2	—	—	UP 15-10 BUC ⁵ , UP 15-10 B5 ⁴ , UP 15-10 B7 ⁵	STAR 3 BS 5 ⁴ , STAR 3 BS 7 ⁵	003-BC4-1, 003-B4-2-IFC, 003-BC4 ⁴ , 003-B4 ⁵ , 003-SC4-1/FC, 003-BC4-1-1FC ⁴ , 003-BC4-1FC ⁵
	3	—	—	UP 15-10 BUC ⁷	STAR 5 BU	—
ASTRO 225SSU	1	NBF-9U/LW, SSF-9U/LW, NBF-18S ⁴	—	UPS 15-35SUC ^(S2)	—	—
	2	—	—	UP 15-29SU	—	006-BC4-1, 006-B7-IFC, 006-SC4-1, 006-SC7-1FC
	3	NBF-12U/LW, SSF-12U/LW	—	UP 15-35SUC, UPS 15-35SUC ^(S3) , UP 15-18BUC 5/7 ¹	STAR 11 BU	—
ASTRO 230SS	1	—	—	UPS 15-35SFC ^(S2) , UP 15-18SF ²	STAR S 16BFX ^(S1)	005-BF2/-1-IFC, 005-SF2/-IFC
	2	NBF-12F/LW	—	UPS 15-35SFC ^(S3) ²	STAR S 16BFX ^(S2)	007-BF5/-1-IFC, 007-SF5/-IFC, 008-BC6, 008-BC6-1FC ² , 008-SF6/-IFC
	3	SSF-22, NBF-22	—	UP 15-42SF ² , UP 25-64SF ²	STAR S 16BFX ^(S3) , STAR 16BFX	00R/0015-SF6-IFC, 00R/0015-SF6-1-IFC
ASTRO 250SS	1	NBF-25 ^(S1)	—	UPS 15-55SFC ^(S1) ²	STAR S 21BFX ^(S1)	—
	2	NBF-25 ^(S2)	—	UPS 15-55SFC ^(S2) ²	STAR S 21BFX ^(S2)	—
	3	NBF-25 ^(S3)	—	UPS 15-55SFC ^(S3) ²	STAR S 21BFX ^(S3) , STAR 21BFX	—
ASTRO 280SS	1	LR-15BWR ²	—	UPS 26-99BFC ^(S1)	—	—
	2	SERIES PR B ² (8.5"), PL-30B, NBF-36 ^(S1) , NBF-45 ^(S1) , SERIES 100	—	UPS 26-99BFC ^(S2) , UP 26-96BF	STAR 30BU ¹	0011-BF4-4 IFC, 0011-SF4 IFC, 0011-SF4, 0014-BFI-1 IFC, 0014-SFI-IFC, 0014-SFI, 113B (8.5")
	3	NBF-36 ^(S2) , NBF-45 ^(S2)	—	UP 26-99BF, UPS 26-99BFC ^(S3)	—	0013-BF3, 0013-SF3, 0013-SF3-IFC, 1400-10B
ASTRO 280SS 230V	1	—	—	UPS 26-99BFC ^(S1)	—	—
	2	—	—	UPS 26-99BFC ^(S2) , UP 26-96BF	—	0011-BF4-4 IFC, 0011-SF4-IFC, 0011-SF4, 0014-BFI-1 IFC, 0014-SFI-IFC, 0014-SFI
	3	—	—	UP 26-99BF, UPS 26-99BFC ^(S3)	—	—
ASTRO 286SS	—	NBF-45 ^(S3) , PL-36B	—	UP 26-116BF	—	0013-BF3, 0013-SF3, 0013-SF3-IFC, 112B
ASTRO 290SS	1	—	—	UPS 43-44BFC ^(S1)	—	—
	2	—	—	UPS 43-44BFC ^(S2)	—	111 ² (8.75")
	3	SERIES HV B ²	—	UPS 43-44BFC ^(S3) , UP 43-44BF	TOP-Z 1.5X15 ²	0012-BF4-IFC, 0012-SF4-IFC,

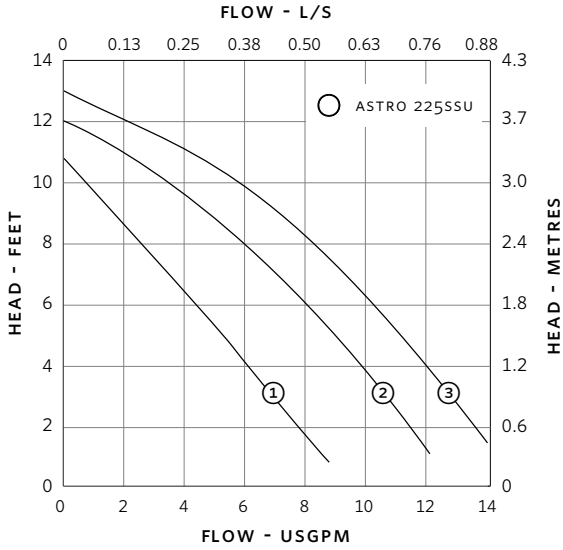
STAINLESS STEEL

MODELS	ARMSTRONG	SPEED	B & G	GRUNDFOS	WILO	TACO
ASTRO 210CI	1	—	—	—	—	—
	2	LR-20WR ²	—	—	—	0010-MSF1-IFC ^(S2) , 0010-F3(-IFC)
	3	NRF-33	—	—	—	0010-MSF1-IFC ^(S3) , 110
ASTRO 230CI	1	NRF-9F/LW	—	UPS 15-42FR ^(S1) , UPS 15-58FRC ^(S1) , UP 15-10FR	STAR S 16FX ^(S1)	005-F2, 005-F2-2-IFC
	2	—	—	UPS 15-42FR ^(S2) , UPS 15-58FRC ^(S2)	STAR S 16FX ^(S2)	007-F5/-7-IFC, 008-F6
	3	NRF-22	—	UP 15-42FR, UPS 15-42FR ^(S3) , UPS 15-58FRC ^(S3)	STAR S 16FX ^(S3) , STAR 16FX	—
ASTRO 230CI-R	1	—	—	UPS 15-42F ^(S1) , UPS 15-58FC ^(S1) , UP 15-10F	STAR S 16F ^(S1)	005-F2-3-IFC, 006-F4, 006-F7-IFC
	2	—	—	UPS 15-42F ^(S2) , UPS 15-58FC ^(S2)	STAR S 16F ^(S2)	007-F5-5/-8-IFC, 008-F6-I-IFC, 00R/0015-F6I IFC
	3	—	—	UP 15-42F, UPS 15-42F ^(S3) , UPS 15-58FC ^(S3)	STAR S 16F ^(S3) , STAR 16F	00R-F6-I-IFC
ASTRO 250CI	1	—	—	—	STAR S 21FX ^(S1)	00R/0015-MSFI-IFC ^(S1)
	2	—	—	—	STAR S 21FX ^(S2)	00R/0015-MSFI-IFC ^(S2)
	3	—	—	—	STAR S 21FX ^(S3) , STAR 21FX	00R/0015-MSFI-IFC ^(S3)
ASTRO 250CI-R	1	NRF-25 ^(S1)	—	—	STAR S 21F ^(S1)	00R/0015-MSFI-I IFC ^(S1)
	2	NRF-25 ^(S2)	—	—	STAR S 21F ^(S2)	00R/0015-MSFI-I IFC ^(S2)
	3	NRF-25 ^(S3) , NRF-36 ^(S1)	—	—	STAR S 21F ^(S3) , STAR 21F	00R/0015-MSFI-I IFC ^(S3)
ASTRO 280CI	1	LR-20WR	—	UPS 26-99FC ^(S1)	—	—
	2	—	100 ² , PL-30, PR ² (8.5"), NRF-36 ² ^(S1) , NRF-45 ² ^(S1)	UPS 26-99FC ^(S2) , UP 26-64F, UP 26-96F	STAR 30F, TOP-S 1.25x15	0011-F4-2 IFC, 0011-F4, 0014-FI-I IFC, 0014-FI, 113 ² (8.5")
	3	—	NRF-36 ² ^(S2) , NRF-45 ² ^(S2)	UP 26-99F, UPS 26-99FC ^(S3)	TOP-S 1.25x25	0013-F3, 0013-F3-I IFC, 1400-10
ASTRO 280CI 230V	1	—	—	UPS 26-99FC ^(S1)	—	—
	2	—	—	UPS 26-99FC ^(S2) , UP 26-64F, UP 26-96F	TOP-S 1.25x15	0011-F4-2 IFC, 0011-F4, 0014-FI-I IFC, 0014-FI
	3	—	—	UPS 26-99FC ^(S3)	TOP-S 1.25x25	—
ASTRO 286CI	—	NRF-45 ^(S3) PL-36	—	UP 26-116F	—	0013-F3, 0013-F3-I IFC, 112 ²
ASTRO 290CI	1	—	—	UPS 43-44FC ^(S1)	—	—
	2	HV ²	—	UPS 43-44FC ^(S2)	—	111 ² (8.75")
	3	—	—	UPS 43-44FC ^(S3) , UP 43-44F	STAR 17FX ²	0012-F4-IFC, 0012-F4, 120 ² (11")

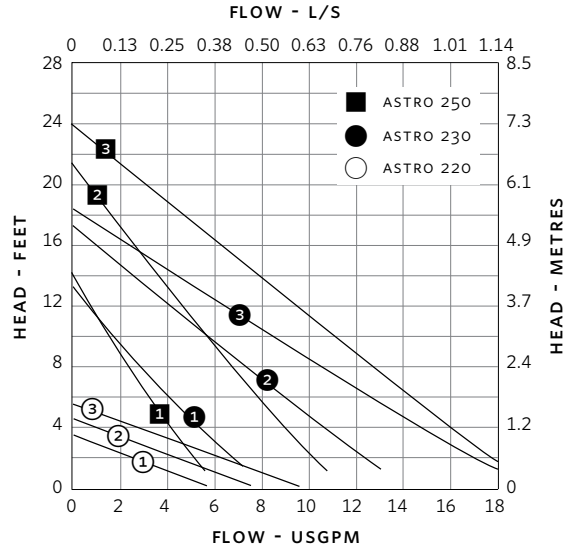
NOTE: ¹ Dimension and connection may vary. ^(S1) Speed 1.
² Flange orientation may vary. ^(S2) Speed 2.
³ Supply voltage may vary. ^(S3) Speed 3.
⁴ Connection with ½" sweat adaptor(s).
⁵ Connection with ¾" sweat adaptor(s).

PERFORMANCE CURVES

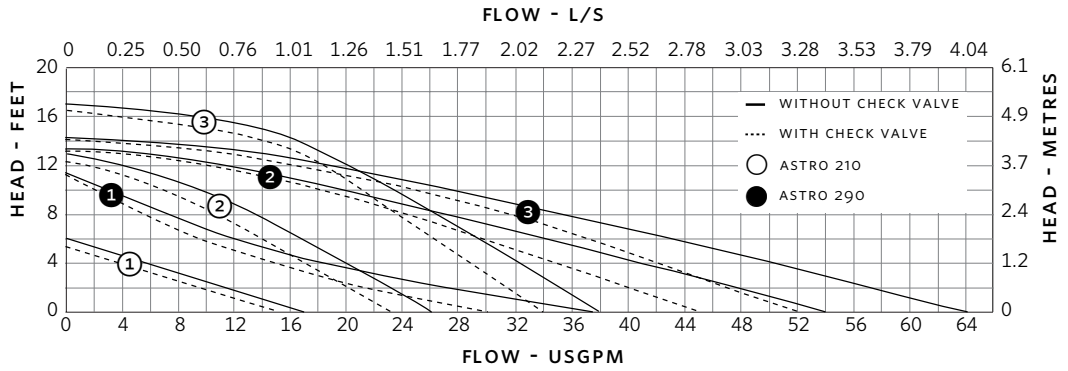
ASTRO 225SSU



ASTRO 220, 230, 250



ASTRO 210, 290



TORONTO
+1 416 755 2291

BUFFALO
+1 716 693 8813

DROITWICH SPA
+44 8444 145 145

MANCHESTER
+44 8444 145 145

BANGALORE
+91 80 4906 3555

SHANGHAI
+86 21 5237 0909

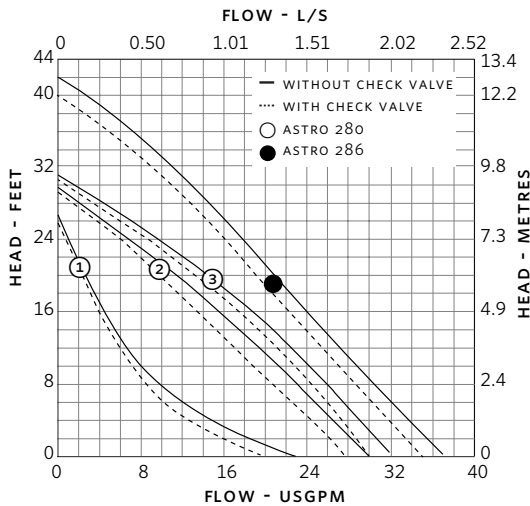
SÃO PAULO
+55 11 4785 1330

LYON
+33 4 26 83 78 74

DUBAI
+971 4 887 6775

MANNHEIM
+49 621 3999 9858

ASTRO 280, 286



JIMBOLIA
+40 256 360 030