

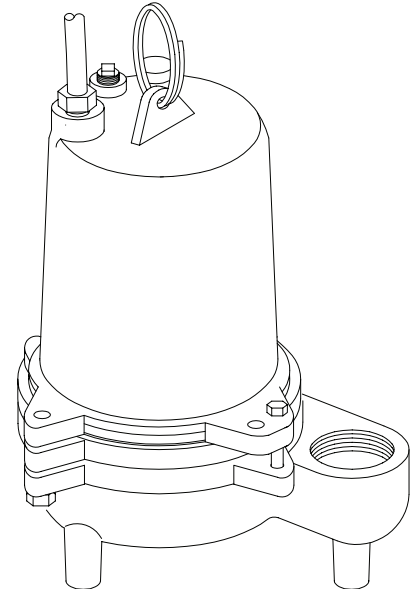
## Submersible Effluent Pumps

### Specifications:

DISCHARGE	.....2" NPT, Female, Vertical
LIQUID TEMPERATURE	..... <b>SE411:</b> 77°F (25°C) Continuous <b>SE421:</b> 104°F (40°C) Continuous
VOLUTE	.....Cast Iron ASTM A-48, Class 30
MOTOR HOUSING	.....Cast Iron ASTM A-48, Class 30
SEAL PLATE	.....Cast Iron ASTM A-48, Class 30
IMPELLER: Design	.....2 Vane, Open with pump out vanes on back side Dynamically Balanced, ISO G6.3
Material	.....Cast Iron ASTM A-48, Class 30
SHAFT	.....416 Stainless Steel
SQUARE RINGS	.....Buna-N
HARDWARE	.....300 Series Stainless Steel
PAINT	.....Air Dry Enamel
SEAL: Design	.....Single Mechanical, Oil Filled Reservoir, Secondary Exclusion Seal
Material	.....Carbon/Ceramic/Buna-N Hardware - 300 Series Stainless
CORD ENTRY	.....15 ft. (5m) Quick Disconnect Cord with plug On 115 Volt, Pressure Grommet for sealing and strain relief
UPPER BEARING	.....Single Row, Ball, Oil Lubricated
LOWER BEARING	.....Single Row, Ball, Oil Lubricated
MOTOR: Design	.....NEMA L Torque Curve, Oil Filled, Squirrel Cage Induction
Insulation	.....Class B
SINGLE PHASE	.....Permanent Split Capacitor (PSC) Includes Overload Protection in Motor
LEVEL CONTROL	....."A" - Wide Angle, PVC, Mechanical, 15 ft (5m) cord with Piggy-Back Plug, N/O "AU"- Wide Angle, Polypropylene, Mechanical, N/O Integral to pump. ON and OFF Points are adjustable "VF" - Vertical Float, PVC, Snap Action, 15 ft (5m) cord, with Piggy-Back plug. OFF point ONLY is adjustable
OPTIONAL EQUIPMENT	.....Seal Material, Additional Cord

#### RECOMMENDED:

Accessories	.....Break Away Fitting (BAF) Check Valve Control Panel
Seal Kit PN	.....085202
Service Kit PN	.....085201



### Series: SE (SE411 & SE421) .4HP, 1750RPM, 60Hz

#### DESCRIPTION:

PUMP IS DESIGNED FOR HANDLING SEWAGE EFFLUENT IN TYPICAL SEPTIC TANK/EFFLUENT APPLICATIONS.



**WARNING:**  
CANCER AND REPRODUCTIVE HARM -  
WWW.P65WARNINGS.CA.GOV



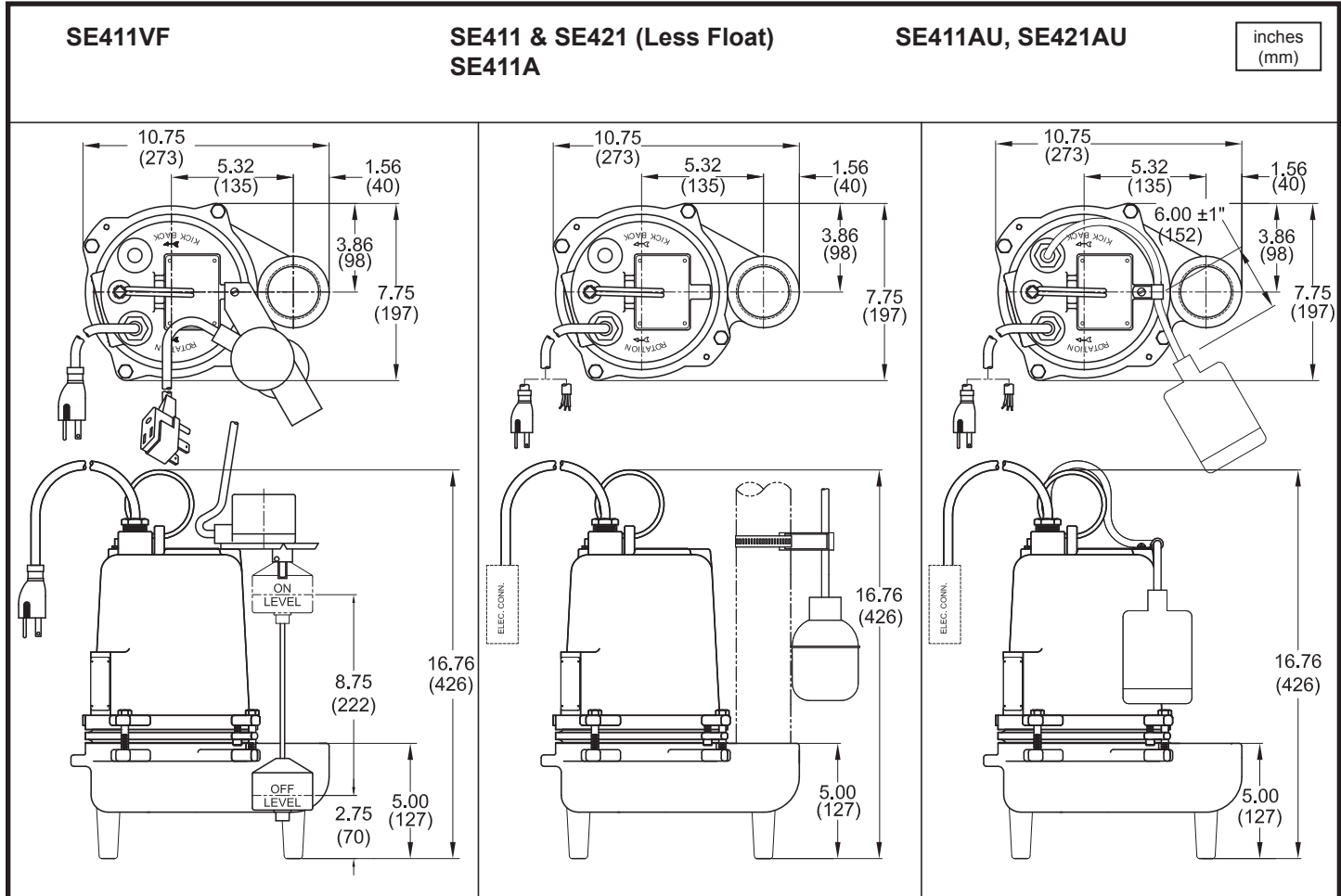
# Series SE

2" Spherical Solids Handling  
Manual & Automatic

# BARNES®

www.cranepumps.com

## Submersible Effluent Pumps



MODEL NO	PART NO	HP	VOLT	PH/Hz	RPM (Nom)	NEMA START CODE	FULL LOAD AMPS	LOCKED ROTOR AMPS	CORD SIZE	CORD TYPE	CORD O.D inch (mm)
SE411	096747	0.4	115	1 / 60	1750	C	12.0	19.0	14/3	SJTOW	0.375 (9.5)
SE411A	096748	0.4	115	1 / 60	1750	C	12.0	19.0	14/3	SJTOW	0.375 (9.5)
SE411AU	096749	0.4	115	1 / 60	1750	C	12.0	19.0	14/3	SJTOW	0.375 (9.5)
SE411VF	100836	0.4	115	1 / 60	1750	C	12.0	19.0	14/3	SJTOW	0.375 (9.5)
SE421	096750	0.4	230	1 / 60	1750	C	6.2	13.0	14/3	SJTOW	0.375 (9.5)
SE421AU	096751	0.4	230	1 / 60	1750	C	6.2	13.0	14/3	SJTOW	0.375 (9.5)

Mechanical Switch on SE-A, cord 16/2, SJOW, Piggy-Back Plug  
 Mechanical Switch on SE-AU, cord 14/2, SJOW, 0.370 (9.4mm) O.D.  
 Vertical Switch on SE-VF, cord 16/2, SJOW, 0.320 (8.1mm) O.D. Piggy-Back Plug

### IMPORTANT !

- 1.) PUMP MAY BE OPERATED "DRY" FOR EXTENDED PERIODS WITHOUT DAMAGE TO MOTOR AND/OR SEALS.
- 2.) INSTALLATIONS SUCH AS DECORATIVE FOUNTAINS OR WATER FEATURES PROVIDED FOR VISUAL ENJOYMENT MUST BE INSTALLED IN ACCORDANCE WITH THE NATIONAL ELECTRIC CODE ANSI/NFPA 70 AND/OR THE AUTHORITY HAVING JURISDICTION. THIS PUMP IS NOT INTENDED FOR USE IN SWIMMING POOLS, RECREATIONAL WATER PARKS, OR INSTALLATIONS IN WHICH HUMAN CONTACT WITH PUMPED MEDIA IS A COMMON OCCURRENCE.

SECTION 3A  
PAGE 36  
DATE 5/19

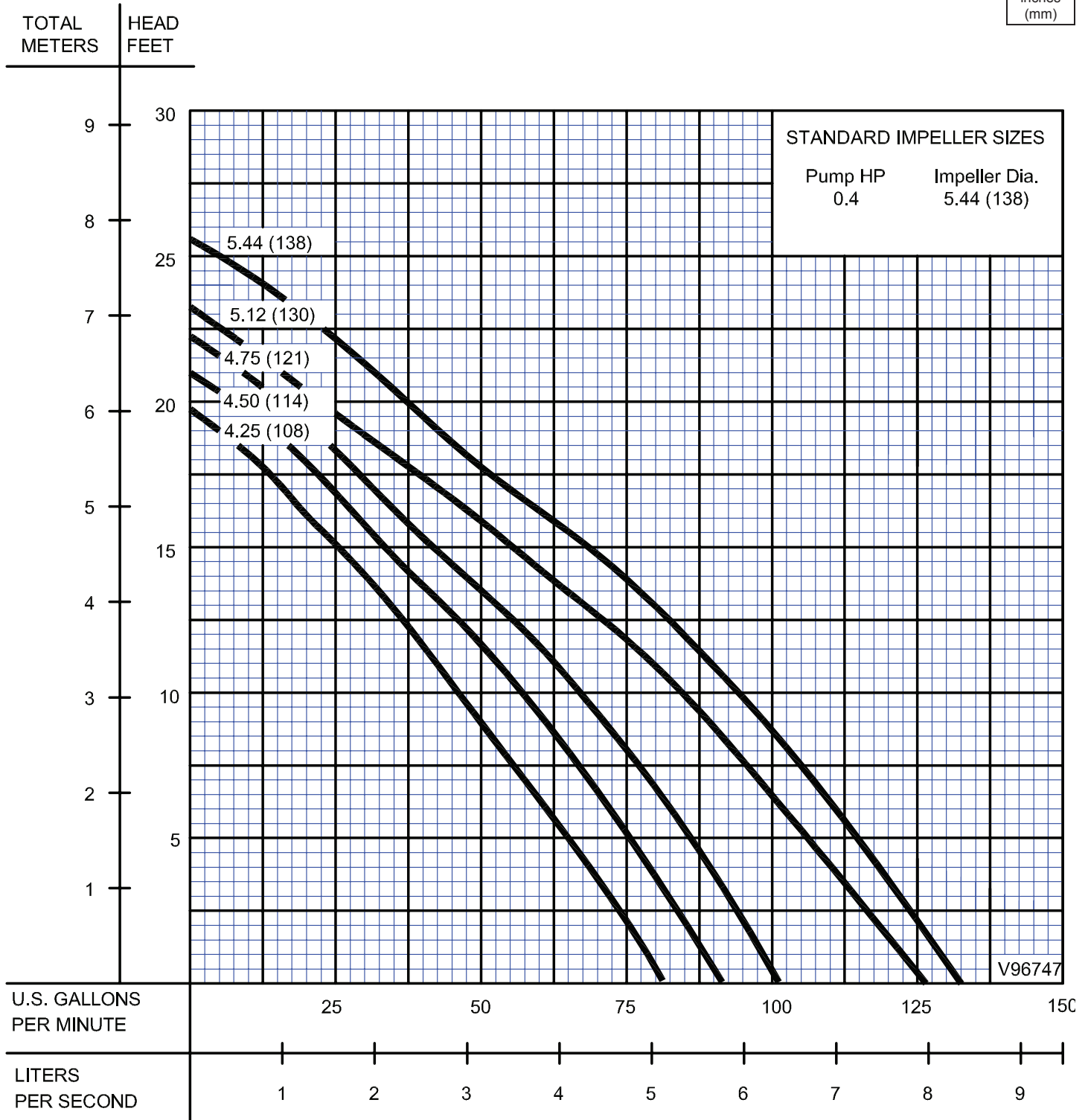
**CRANE**  
A Crane Co. Company

PUMPS & SYSTEMS

USA: (937) 778-8947 • Canada: (905) 457-6223 • International: (937) 615-3598

### Submersible Effluent Pumps

inches  
(mm)



STANDARD IMPELLER SIZES

Pump HP      Impeller Dia.  
0.4              5.44 (138)

V96747

Testing is performed with water, specific gravity 1.0 @ 68° F @ (20°C), other fluids may vary performance



A Crane Co. Company

## PUMPS & SYSTEMS

USA: (937) 778-8947 • Canada: (905) 457-6223 • International: (937) 615-3598

SECTION 3A  
PAGE 37  
DATE 6/04