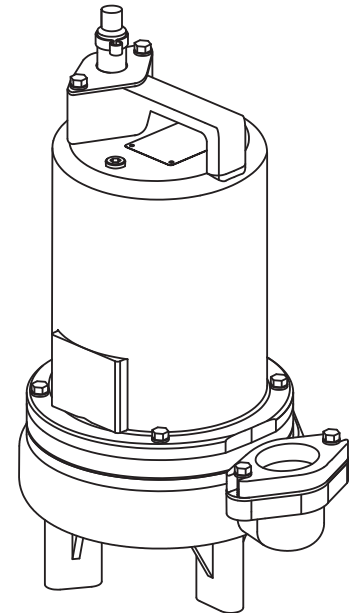


<b>DISCHARGE</b> .....	2" NPT, Female, Vertical, Bolt-on Flange
<b>LIQUID TEMPERATURE</b> .....	104°F (40°C) Continuous
<b>VOLUTE</b> .....	Cast Iron ASTM A-48, Class 30
<b>MOTOR HOUSING</b> .....	Cast Iron ASTM A-48, Class 30
<b>SEAL PLATE</b> .....	Cast Iron ASTM A-48, Class 30
<b>IMPELLER: Design</b> .....	Vortex, open, with pump out vanes on back side. Dynamically balanced, ISO G6.3
<i>Material</i> .....	85-5-5-5 Cast Iron
<b>SHAFT</b> .....	416 Stainless Steel
<b>SQUARE RINGS</b> .....	Buna-N
<b>HARDWARE</b> .....	300 Series Stainless Steel
<b>PAINT</b> .....	Air Dry Enamel
<b>SEAL:</b> <i>Design</i> .....	Single Mechanical
<i>Material</i> .....	Carbon/Ceramic/Buna-N
	Hardware -300 Series Stainless
<b>CORD ENTRY</b> .....	20 ft. (6m) Cord. Quick connect custom molded for sealing and strain relief
<b>SPEED</b> .....	3450 RPM (Nominal)
<b>UPPER BEARING</b> .....	Single Row, Ball, Oil lubricated
<i>Load</i> .....	Radial
<b>LOWER BEARING</b> .....	Single Row, Ball, Oil lubricated
<i>Load</i> .....	Radial & Thrust
<b>MOTOR: Design</b> .....	NEMA L -Single Phase, NEMA B -Three phase Torque Curve, Oil Filled, Squirrel Cage Induction
<i>Insulation</i> .....	Class B
	Class F on selected models
<b>SINGLE PHASE</b> .....	Permanent Split Capacitor (PSC) Includes Overload Protection in Motor
<b>THREE PHASE</b> .....	200-240/480 is Tri-Voltage. 600V. Requires Overload Protection to be included in control panel
<b>OPTIONAL EQUIPMENT</b> .....	Seal Material, Impeller Trims, Additional cord, Normally Closed Temperature Sensors with cord for 3 phase pumps (Requires relay in control panel).
 <b>RECOMMENDED:</b>	
<i>Accessories</i> .....	Break Away Fitting (BAF) Check Valve Control Panel
<i>Seal Kit PN</i> .....	130181
<i>Service Kit PN</i> .....	130208



**Series: 2SEV-L**  
**1.5 & 2.0HP, 3450RPM, 60Hz**



**DESCRIPTION:**

SUBMERSIBLE NON-CLOG SEWAGE PUMP  
DESIGNED FOR TYPICAL RAW SEWAGE  
APPLICATIONS

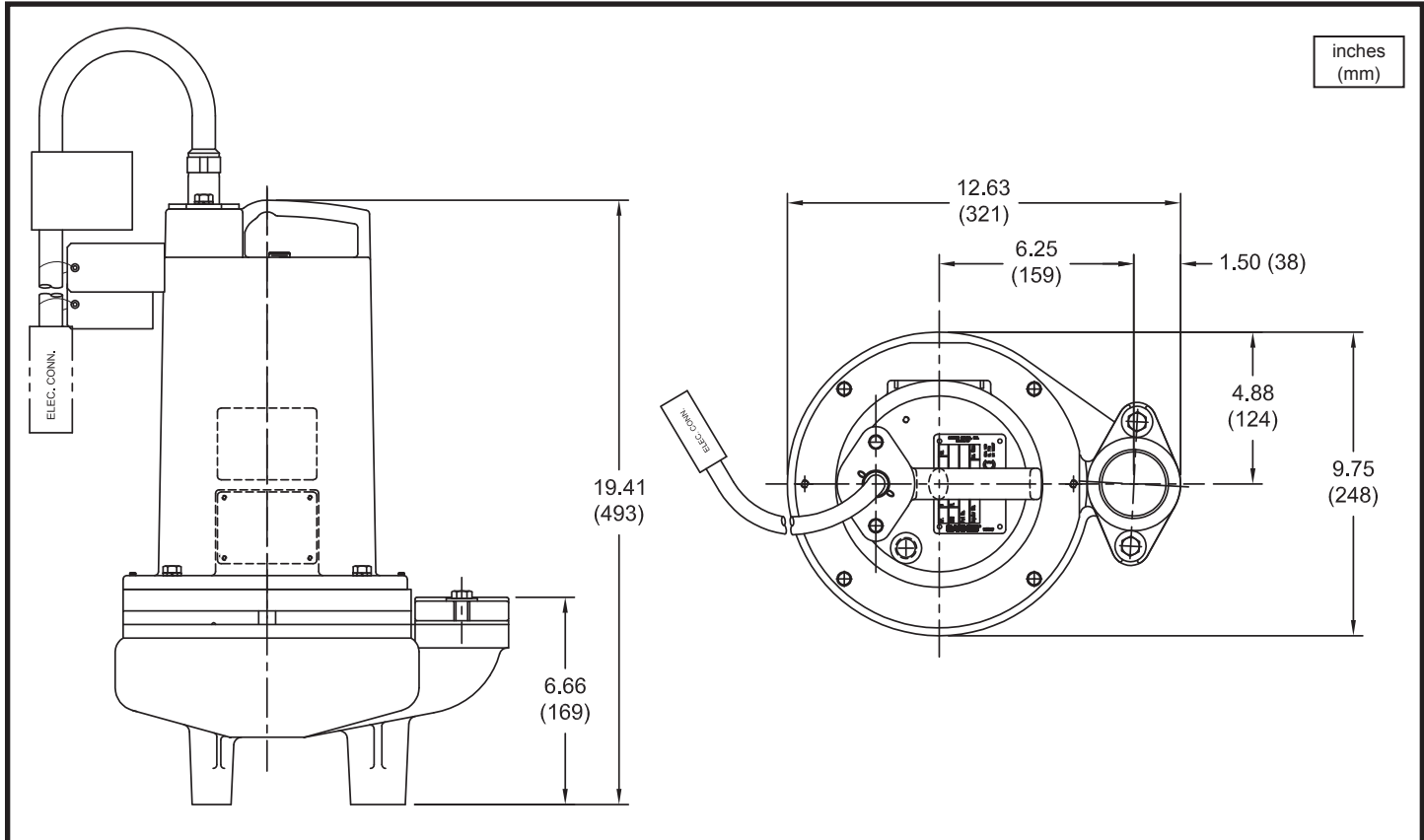


# Series 2SEV-L

2" Spherical Solids Handling  
Vortex, Single Seal

# BARNES®

## 2" Discharge



MODEL NO	PART NO	HP	VOLT/PH	Hz	RPM (Nom)	NEMA START CODE	INSUL. CLASS	FULL LOAD AMPS	LOCKED ROTOR AMPS	CORD SIZE	CORD TYPE	CORD O.D inch (mm)
2SEV1522L	104187	1.5	240/1	60	3450	A	F	13.5	31.5	12/3	SOW	0.610 (15.5)
2SEV1592L	104188	1.5	200/240/3	60	3450	C	F	10.8/9.8	27.0	14/4	SOW	0.600 (15.2)
2SEV1542L	104189	1.5	480/3	60	3450	F	F	4.9	13.5	14/4	SOW	0.600 (15.2)
2SEV1552L	105774	1.5	600/3	60	3450	F	B	3.9	11.0	14/4	SOW	0.600 (15.2)
2SEV2022L	104190	2.0	240/1	60	3450	C	F	16.0	42.0	12/3	SOW	0.610 (15.5)
2SEV2092L	104191	2.0	200/240/3	60	3450	J	F	13.2/12.0	30.0	14/4	SOW	0.600 (15.2)
2SEV2042L	104192	2.0	480/3	60	3450	J	F	6.0	15.0	14/4	SOW	0.600 (15.2)
2SEV2052L	105775	2.0	600/3	60	3450	J	B	4.8	12.0	14/4	SOW	0.600 (15.2)

OPTIONAL - Temperature sensor cord for 3 phase models is 14/3 SOW, 0.530 (13.5mm) O.D.

### IMPORTANT !

- PUMP MAY BE OPERATED "DRY" FOR EXTENDED PERIODS WITHOUT DAMAGE TO MOTOR AND/OR SEALS.
- INSTALLATIONS SUCH AS DECORATIVE FOUNTAINS OR WATER FEATURES PROVIDED FOR VISUAL ENJOYMENT MUST BE INSTALLED IN ACCORDANCE WITH THE NATIONAL ELECTRIC CODE ANSI/NFPA 70 AND/OR THE AUTHORITY HAVING JURISDICTION. THIS PUMP IS NOT INTENDED FOR USE IN SWIMMING POOLS, RECREATIONAL WATER PARKS, OR INSTALLATIONS IN WHICH HUMAN CONTACT WITH PUMPED MEDIA IS A COMMON OCCURRENCE.

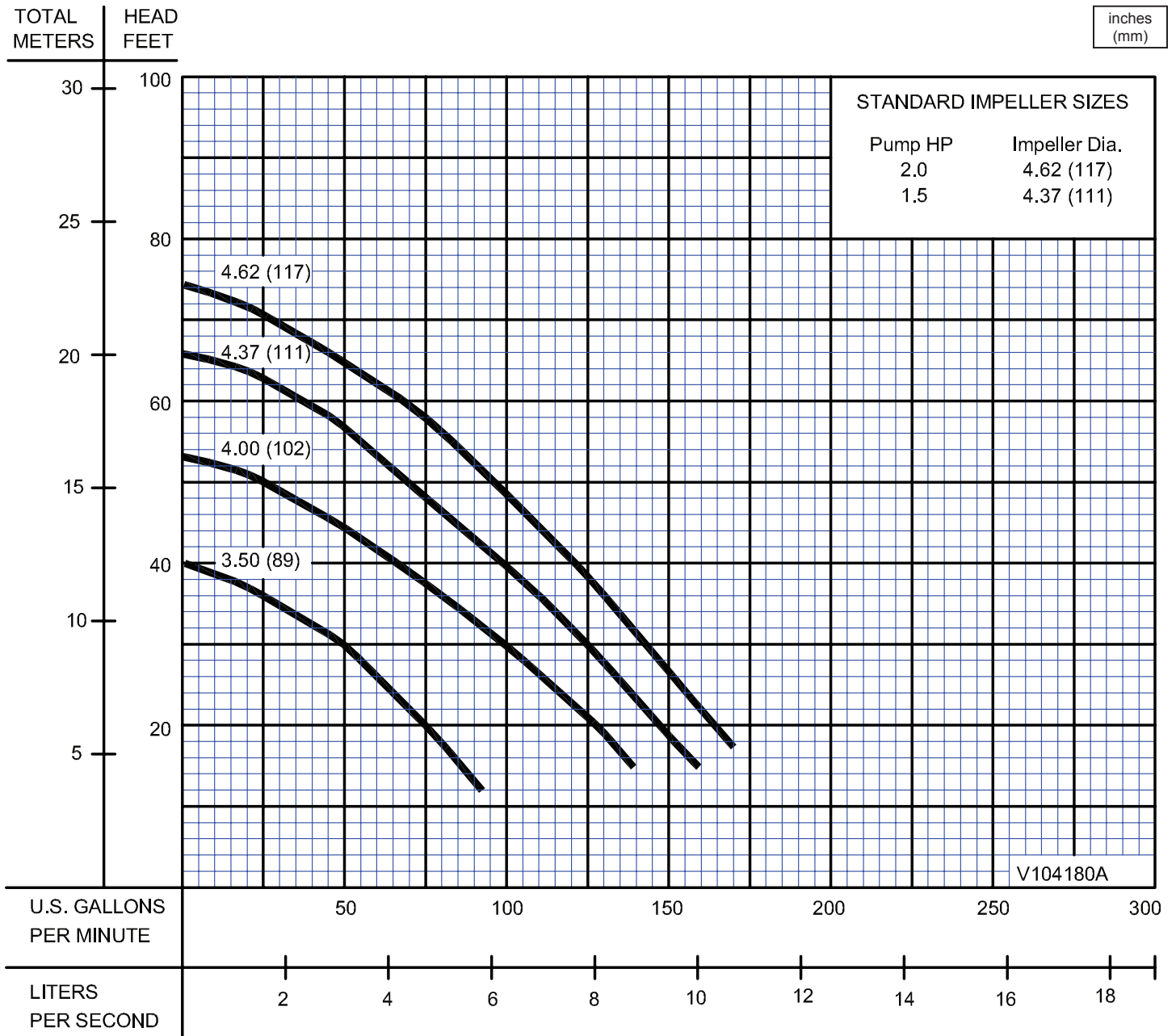
SECTION 1B  
PAGE 32  
DATE 8/16



## AMPRO ELECTRIC LTD.

www.shopampro.com | www.amproelectric.com | 1-800-361-3509

### 2" Discharge



Testing is performed with water, specific gravity 1.0 @ 68° F @ (20°C), other fluids may vary performance

